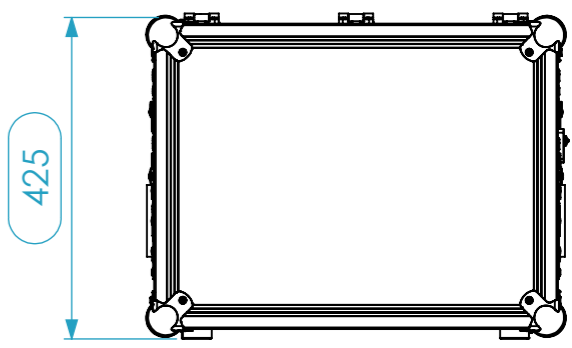
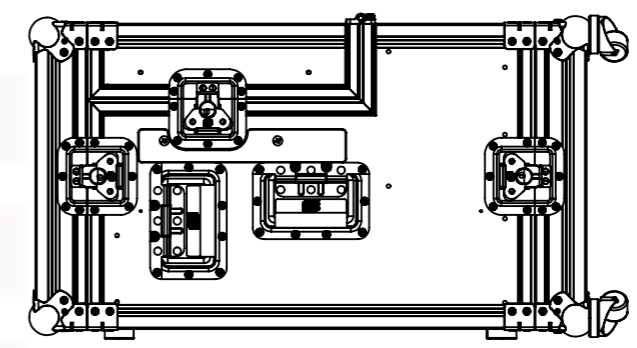
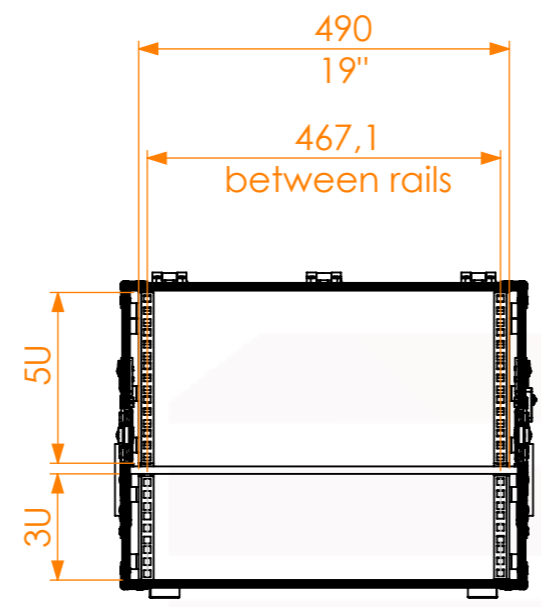
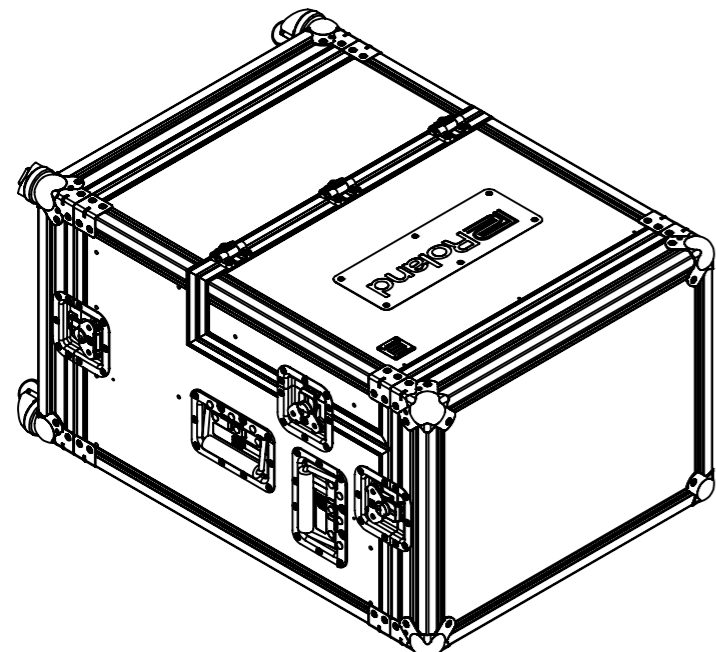
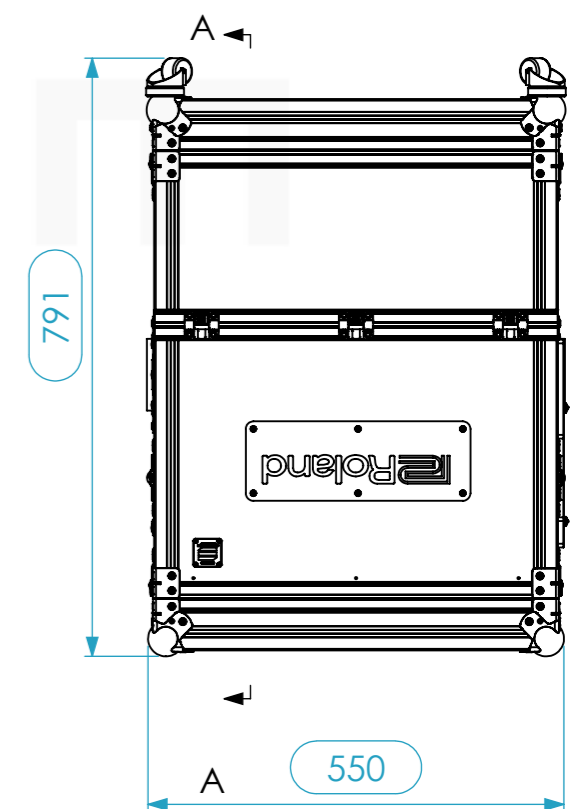
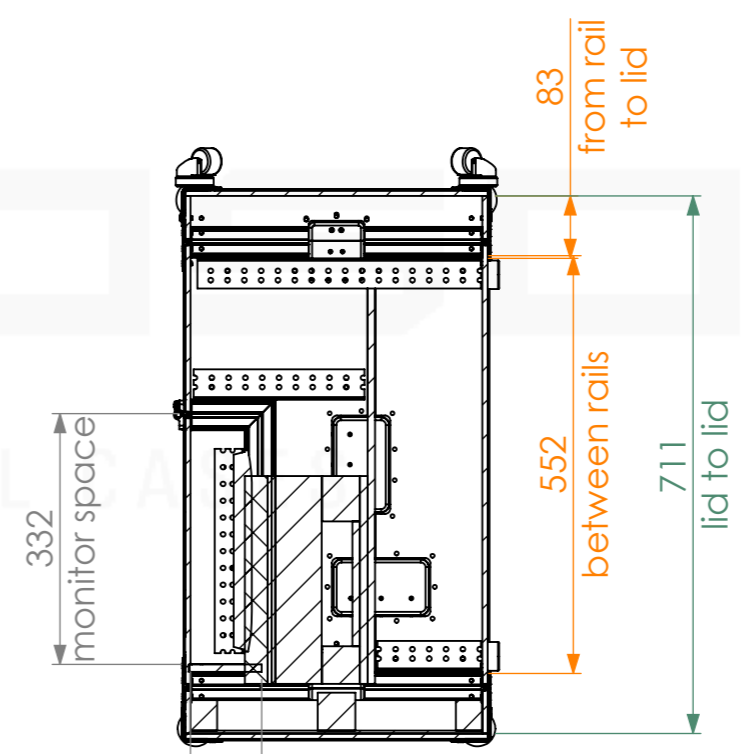
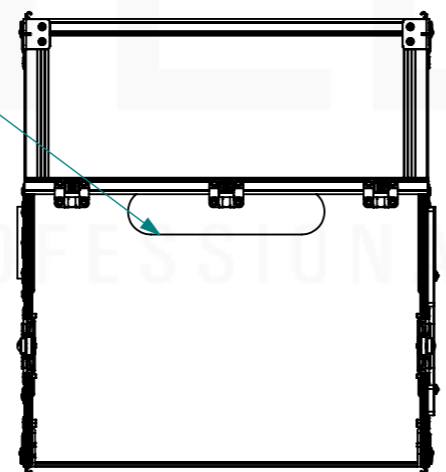


Internal Dimensions		
Width	Depth	Height
19"	580	3Un
Weight	Approx. 19 Kg	
Wall Thickness		7mm



Cut to pass cables



SECTION A-A

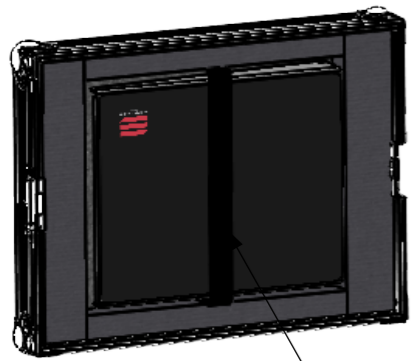
Name	Date
Drawn by paula.almeida	09/10/2023
Reference	STAT.135
Scale	1:10
units in mm	DO NOT SCALE
general tolerance	0.8mm
FLIGHT CASE VIDEO PRODUCTION Roland VR-4HD+LCD+19" 3U	



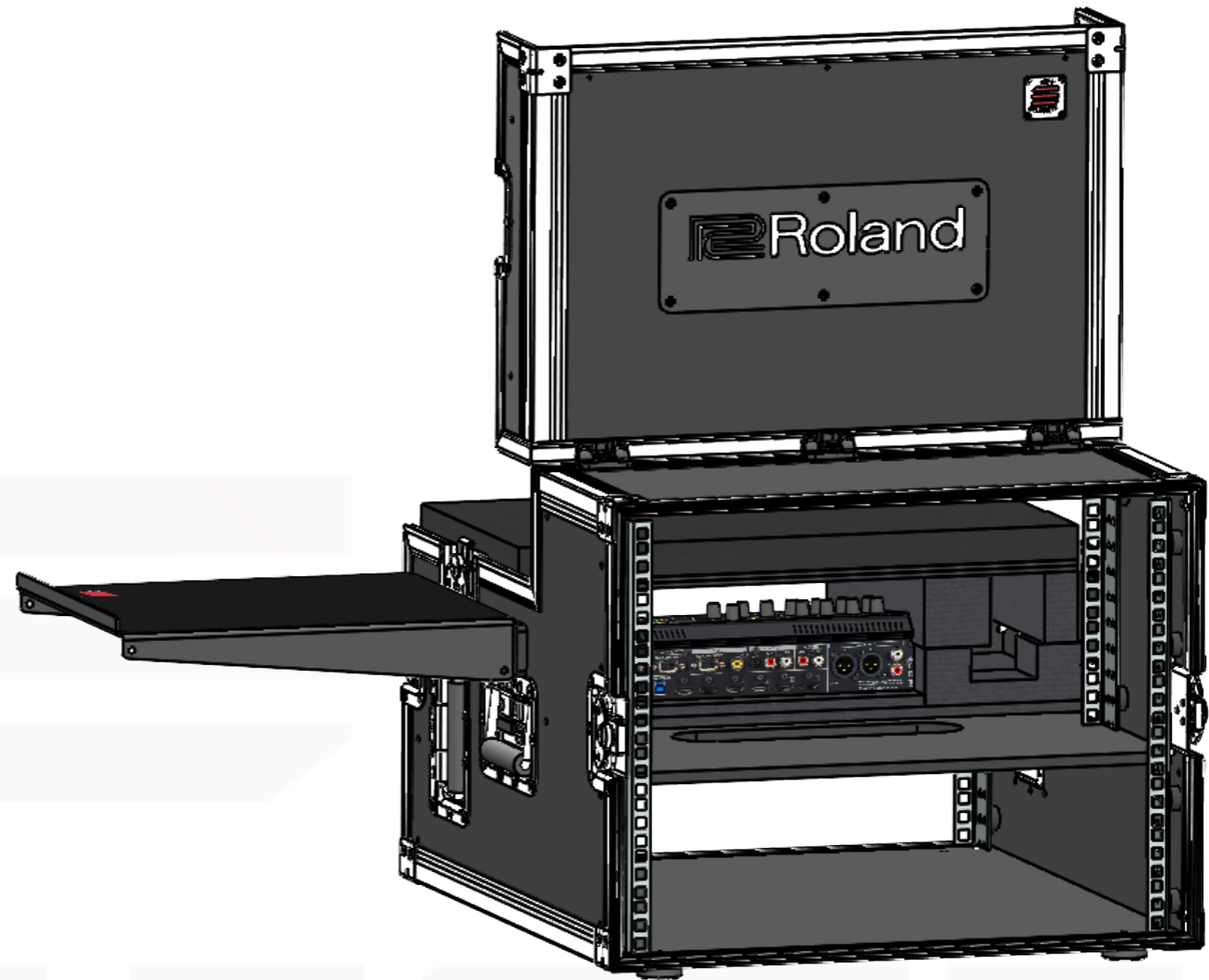
This drawing must not be copied or disclosed without consent of the owner



A3



Velcro to fix
the mouse support.



PROFESSIONAL CASES

	Name	Date
Drawn by	paula.almeida	09/10/2023
Reference	STAT.135	
	Scale	units in mm
	1:6	DO NOT SCALE
		general tolerance 0.8mm
	FLIGHT CASE VIDEO PRODUCTION Roland VR-4HD+LCD+19" 3U	



This drawing must not be copied or disclosed without consent of the owner



A3