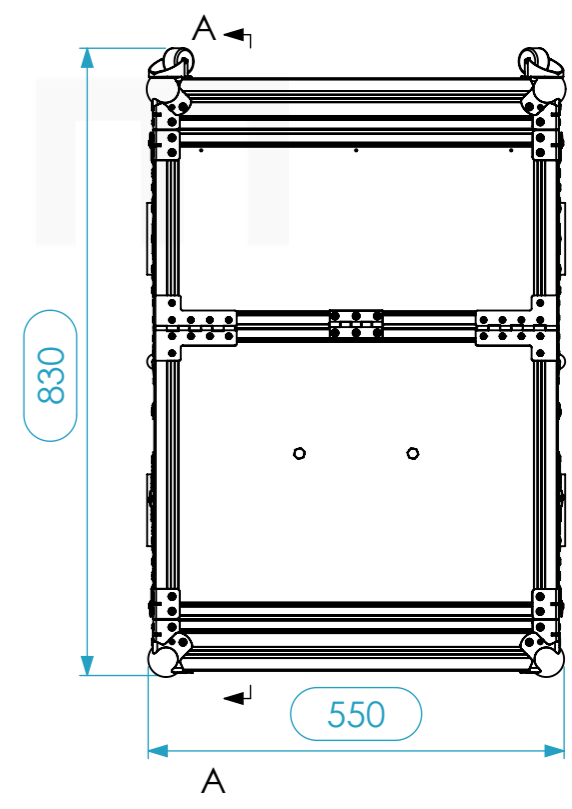
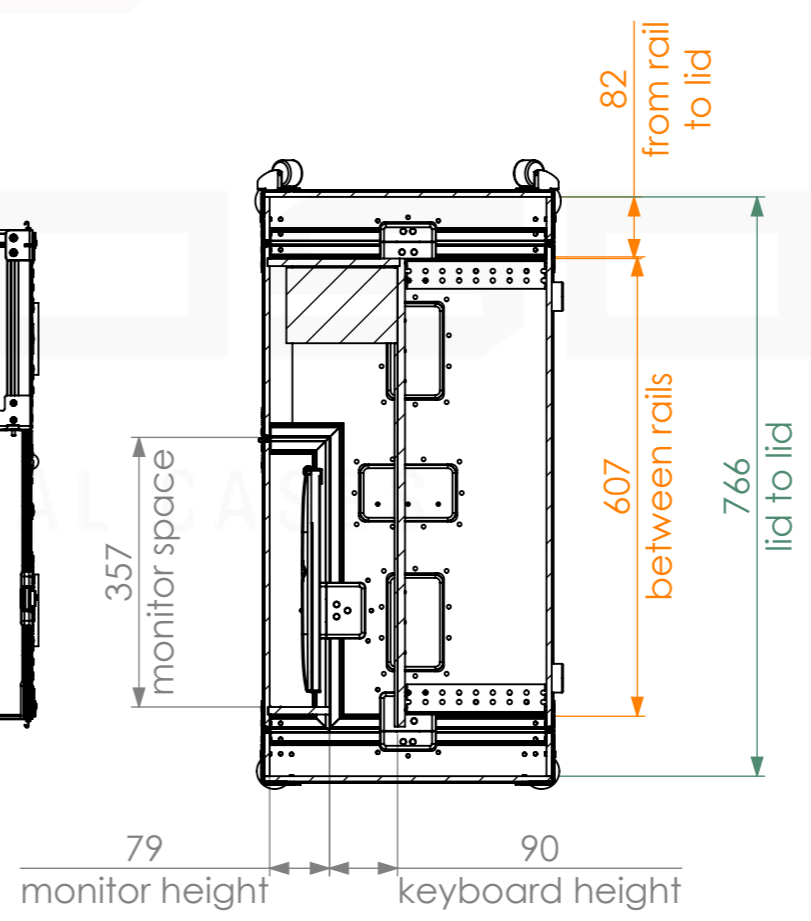
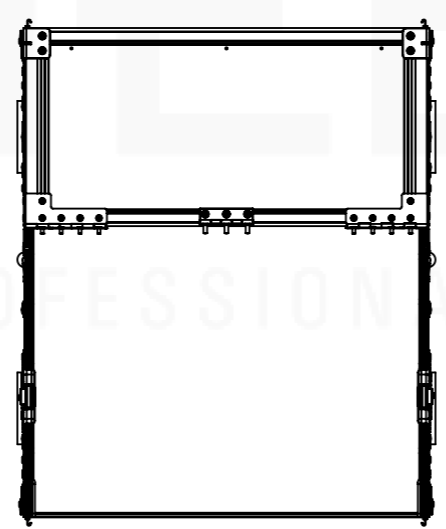
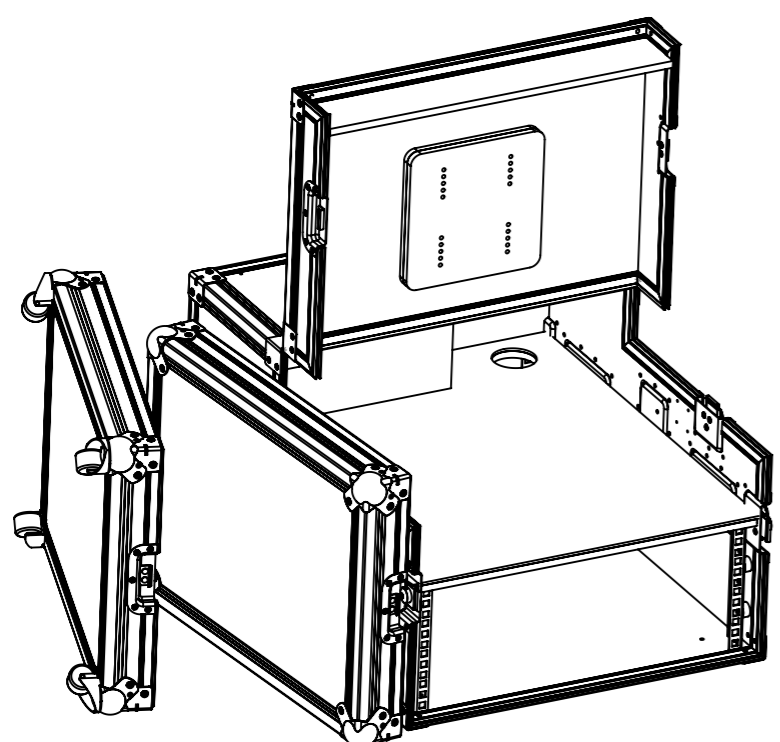
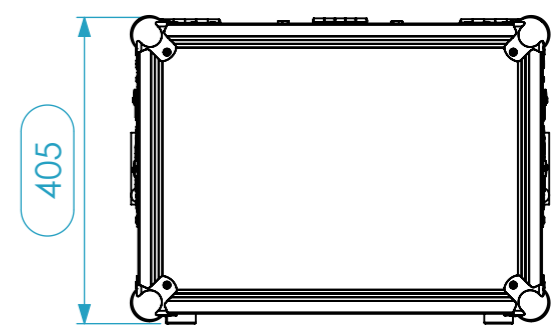
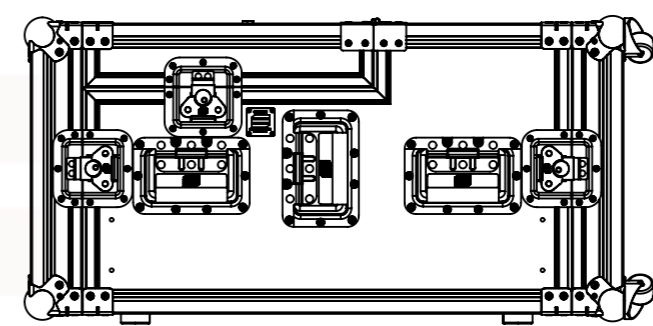
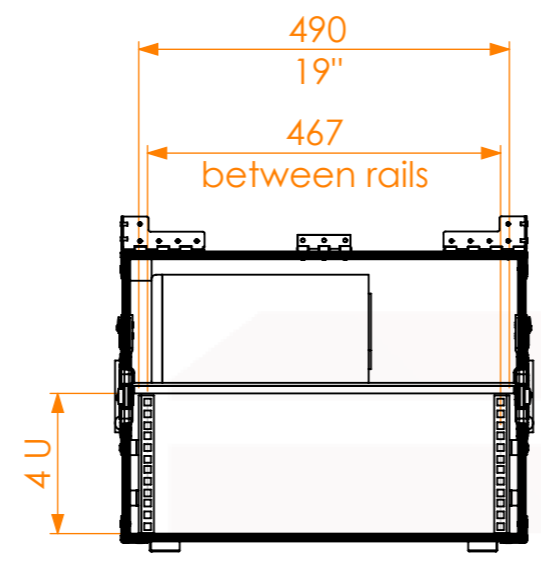
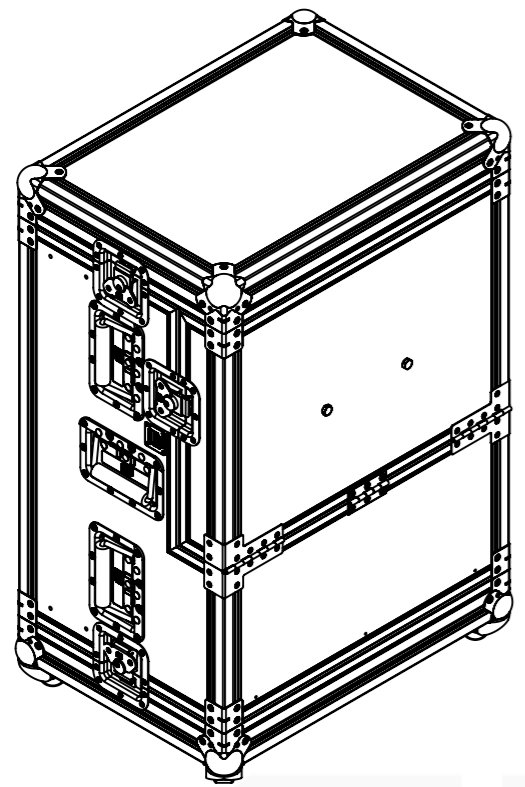


Internal Dimensions		
Width	Depth	Height
19"	580	4Un
Weight	Approx. 26 Kg	
Wall Thickness	7mm	



SECTION A-A

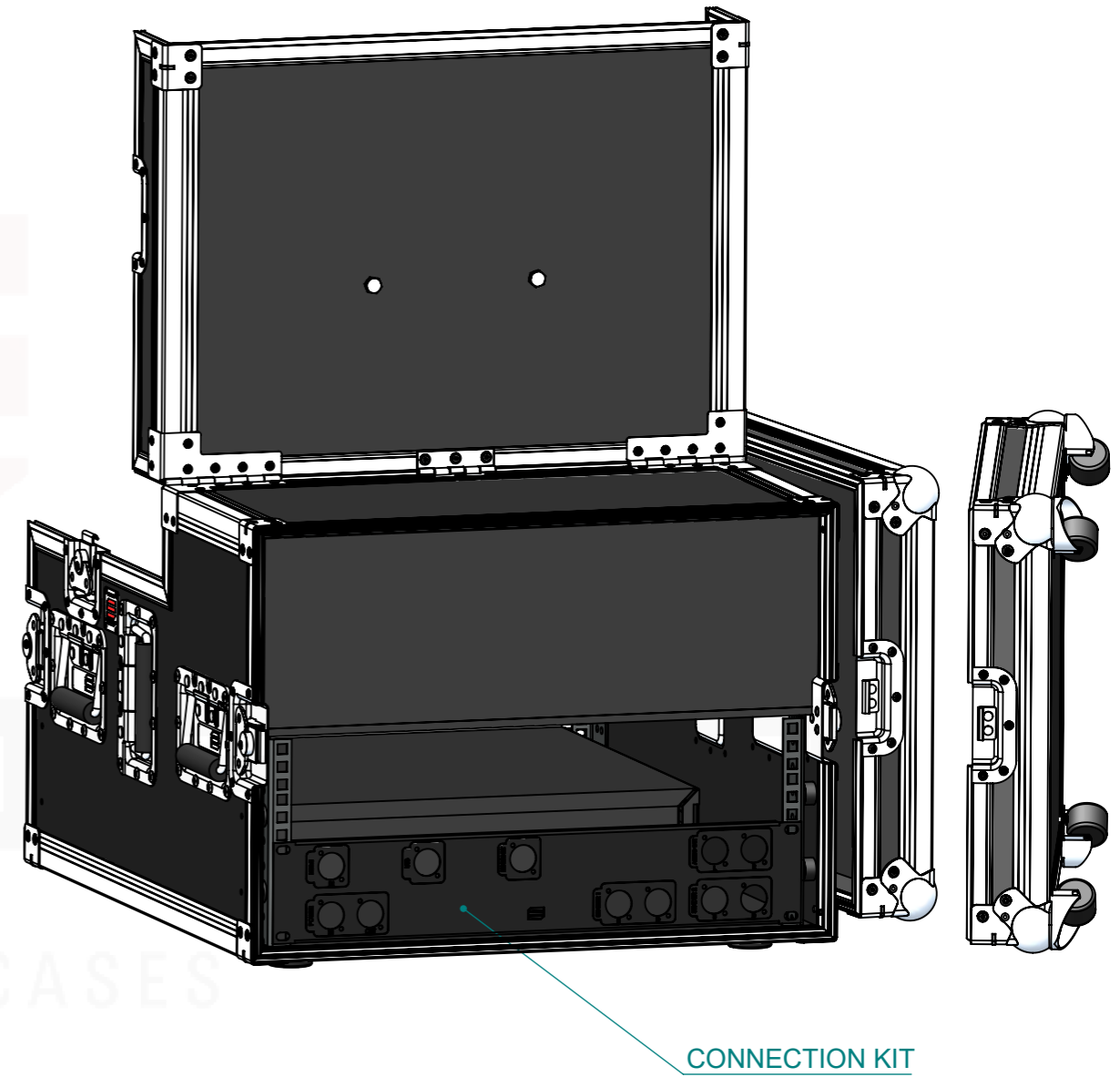
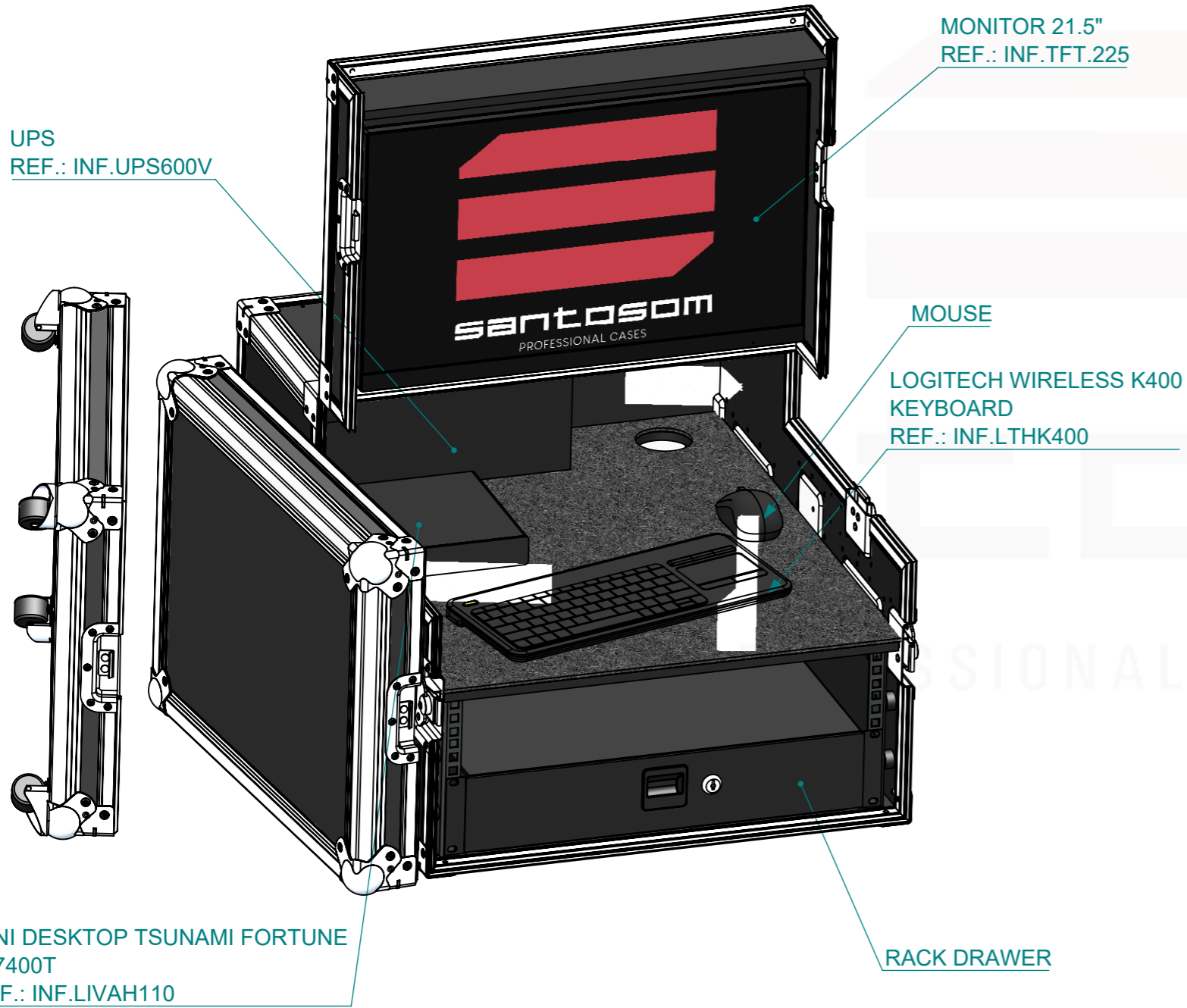
Name	Date
Drawn by projects	27/01/2020
Reference	STAT.134
Scale	1:10
units in mm	general tolerance 0.8mm
DO NOT SCALE	
1st Angle projection	Flight case Regie de Video Controller+LCD+Rack 4U

This drawing must not be copied or disclosed without consent of the owner



NOTE:

ALL OPTIONAL ACCESSORIES ARE NOT INCLUDED IN THE FLIGHT CASE AND MUST BE ORDERED SEPARATELY.



A3

This drawing must not be copied or disclosed without consent of the owner



Scale 1:6

units in mm
DO NOT SCALE
general tolerance 0.8mm

Drawn by	Name	Date
projects	projects	27/01/2020
Reference	STAT.134	
Flight case Regie de Video Controller+LCD+Rack 4U		

