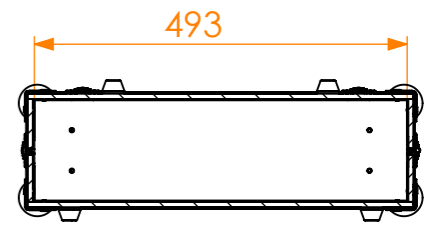
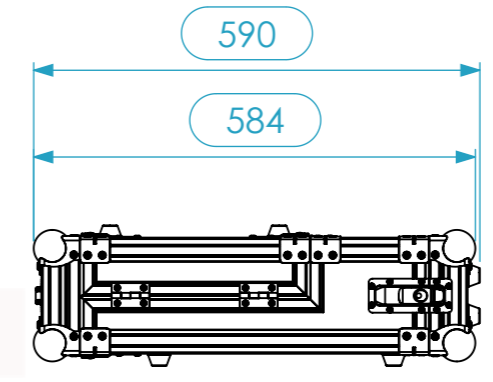
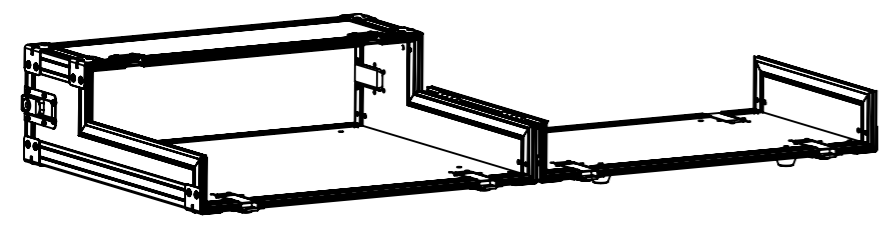
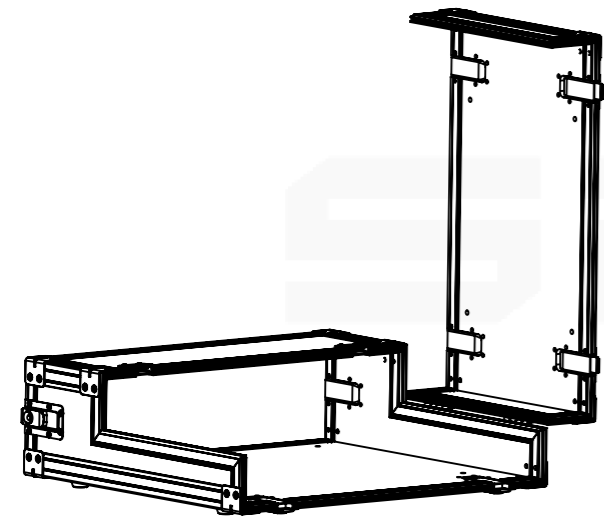
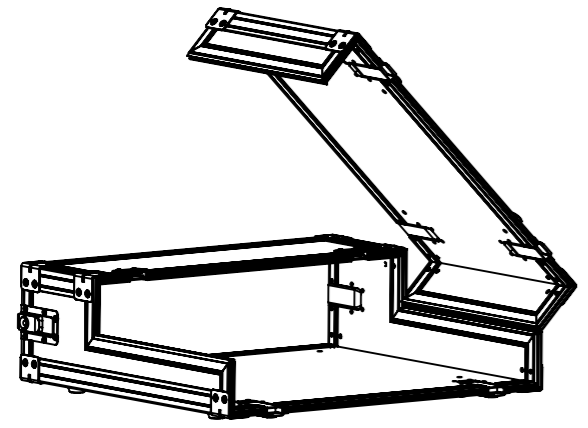
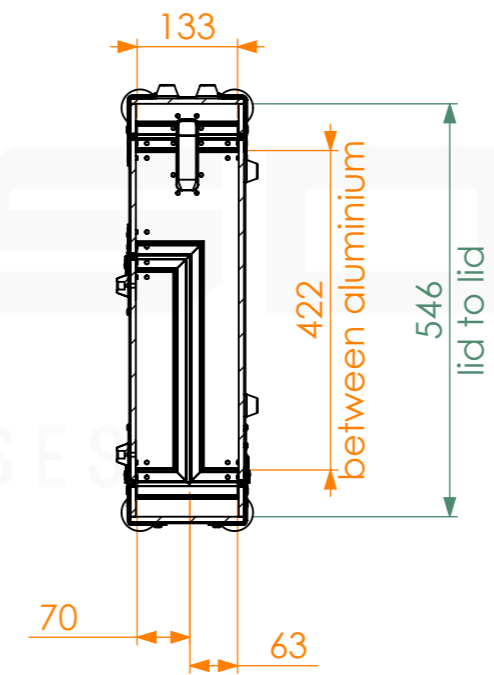
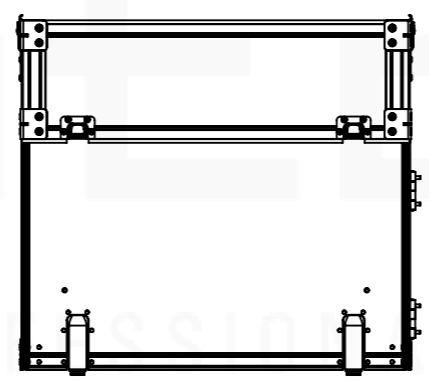
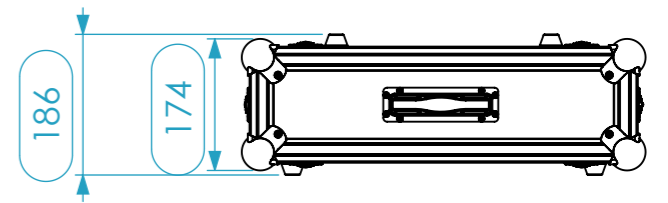


Internal Dimensions

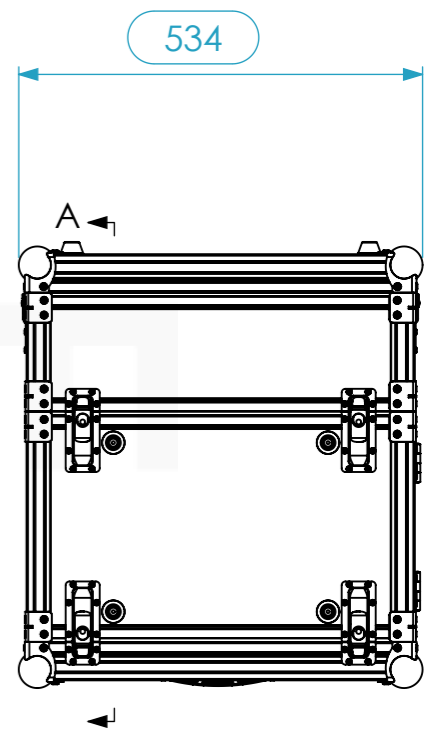
Width	Depth	Height
493	546	133
Weight	Approx. 9 Kg	
Wall Thickness	7mm	



F-F



SECTION A-A



A

Name	Date
CarlaSilva	09/05/2019
Reference	STAT.132
Scale	1:10
units in mm	general tolerance 0.8mm
DO NOT SCALE	REGIE AUDIO ENGINEER



This drawing must not be copied or disclosed without consent of the owner

A3

