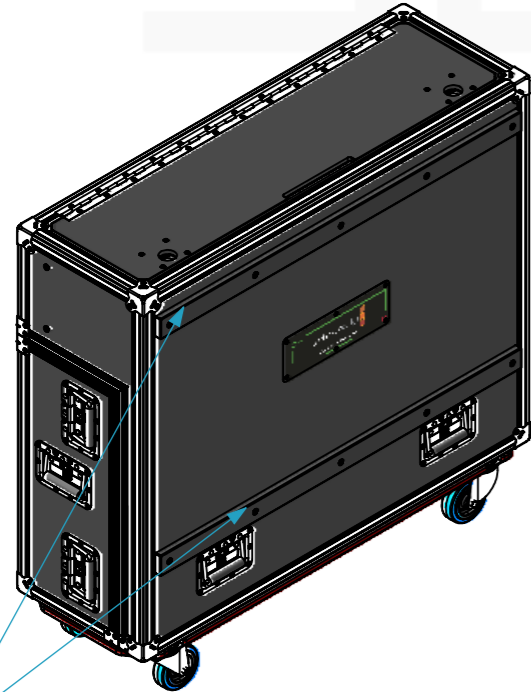
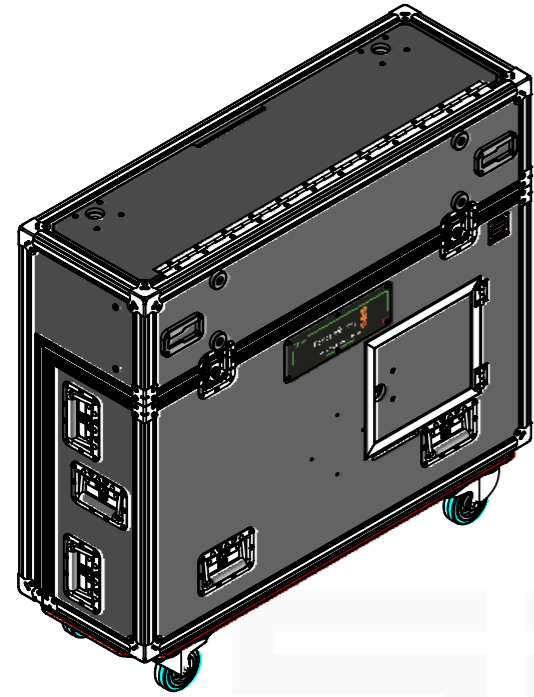
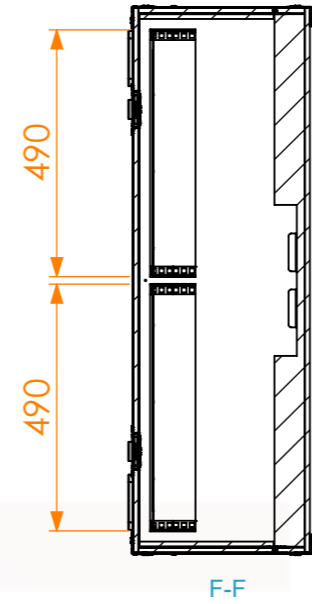


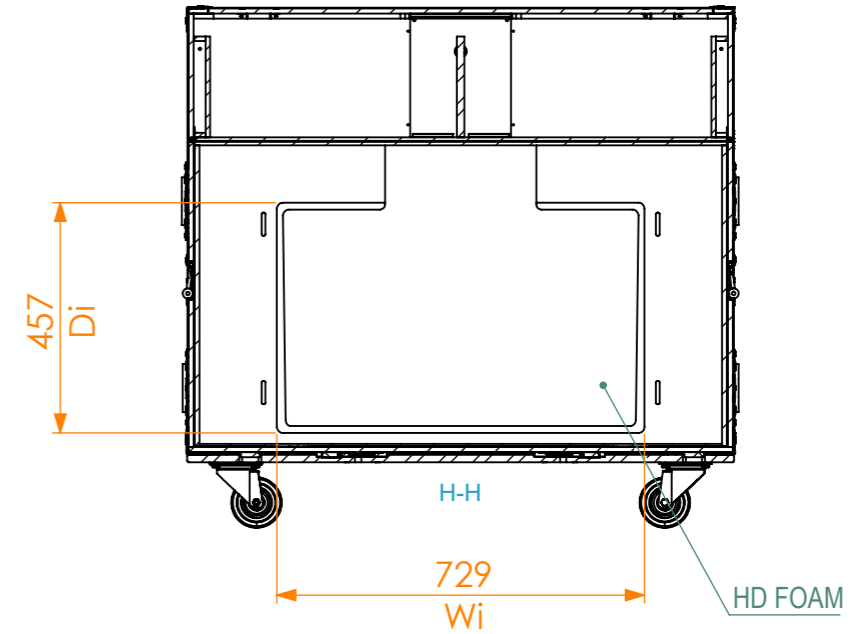
Equipment	Blackmagic ATEM 2 M/E Advanced Panel	
Width	Depth	Height
725	485	166
Weight	Approx. 11 Kg	
Internal Dimensions		
Width	Depth	Height
729	457	134
Weight	Approx. 51.483 Kg	
Wall Thickness	10mm	



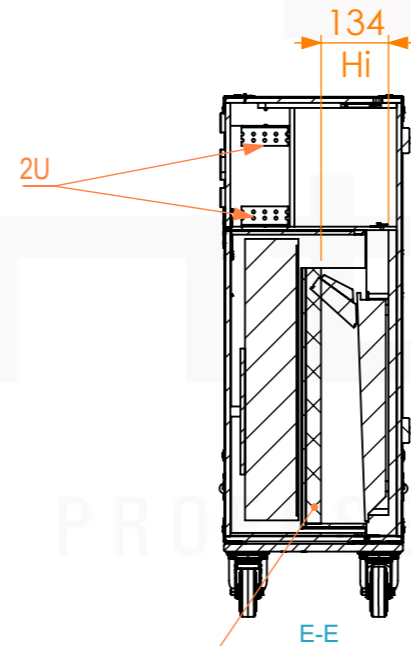
Plastic Feet



F-F

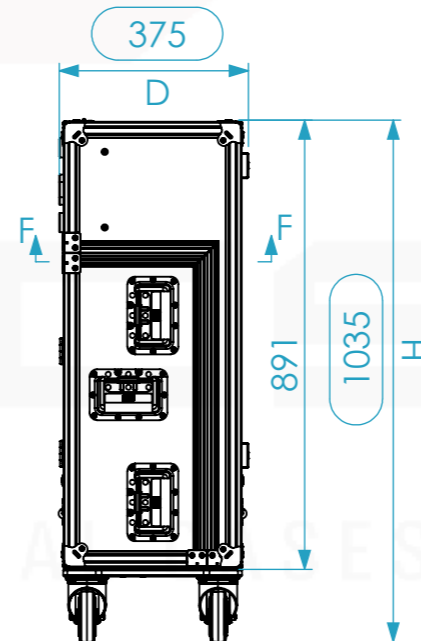


HD FOAM



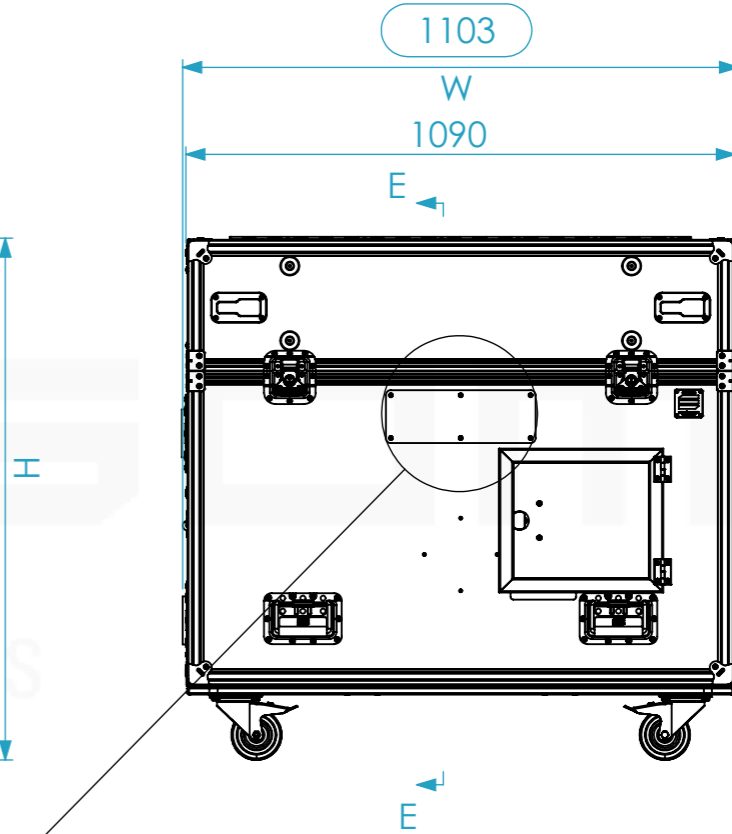
Eggbox Foam

E-E



F-F

F-F



E-E



H

H

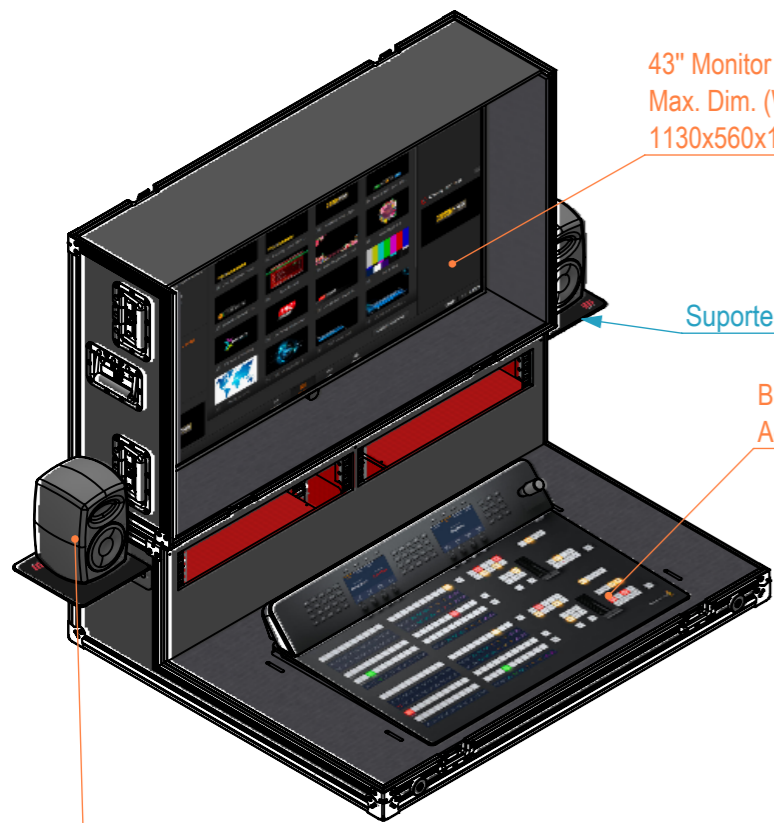
General External Dimensions		Usable Inner Dimensions	
W	Width	Wi	Inside Width
D	Depth	Di	Inside Depth
H	Height	Hi	Inside Height

Drawn by	Name	Date
paula.almeida	paula.almeida	02/07/2025
Reference	STAT.123	
Scale	units in mm	general tolerance
1:15	DO NOT SCALE	0.8mm
1st Angle projection	FC, TAMPA Z BlackMagic ATEM 2M + Monitor 43" + Genelec 8020	

This drawing must not be copied or disclosed without consent of the owner

A3





43" Monitor
Max. Dim. (WxDXH):
1130x560x106mm

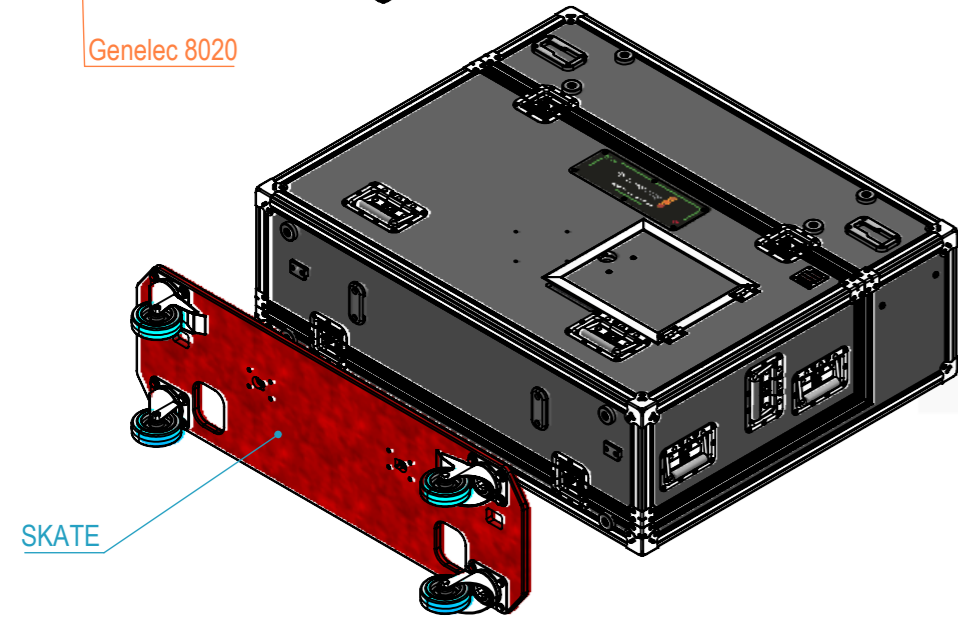
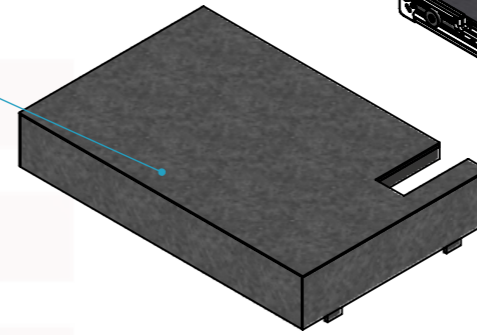
Suporte.1031

Blackmagic ATEM 2 M/E
Advanced Panel

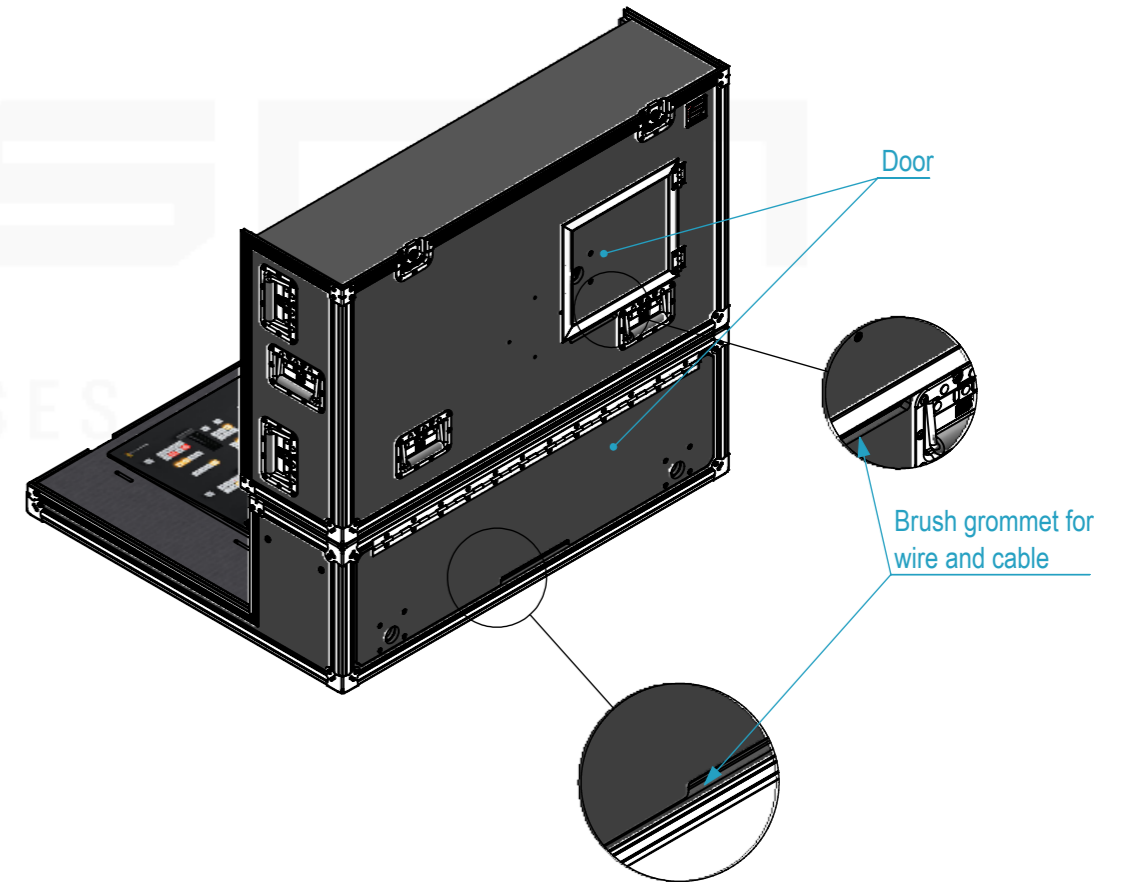
Genelec 8020

2U

Removable
foam to
secure the
console

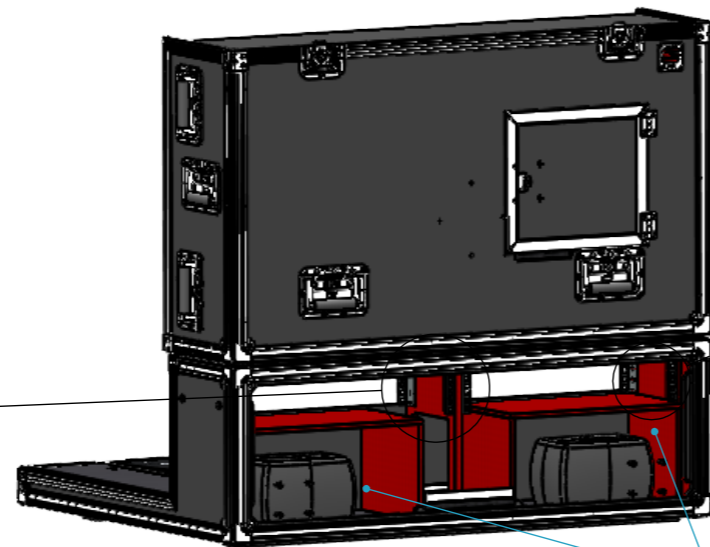
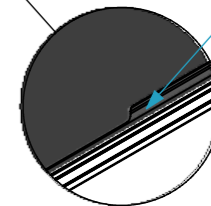
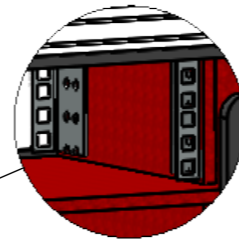
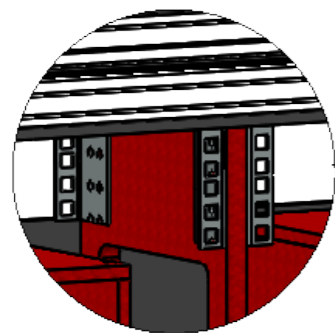


SKATE



Door

Brush grommet for
wire and cable



Space for accessories

A3

This drawing must not be
copied or disclosed without
consent of the owner



Scale
1:15

units in
mm
DO NOT SCALE
general tolerance
0.8mm

Reference
STAT.123

FC, TAMPA Z BlackMagic ATEM 2M
+ Monitor 43" + Genelec 8020

Name
paula.almeida

Date
02/07/2025

