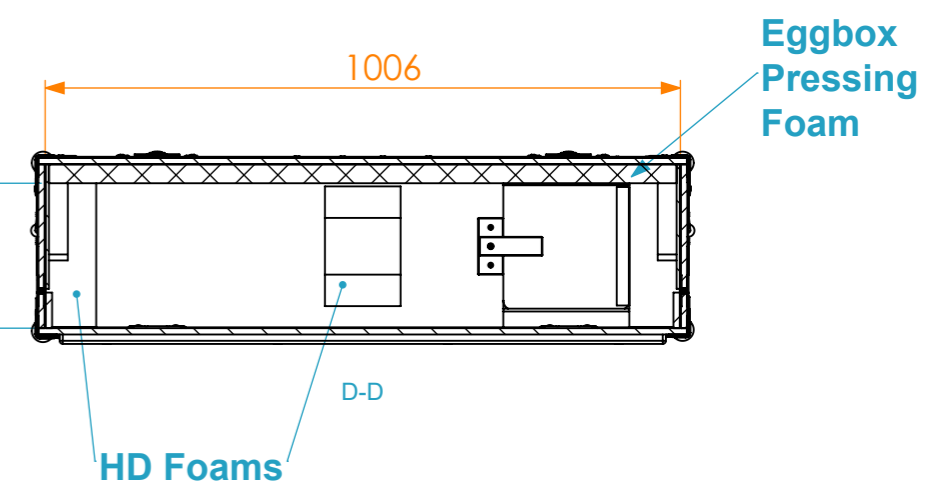
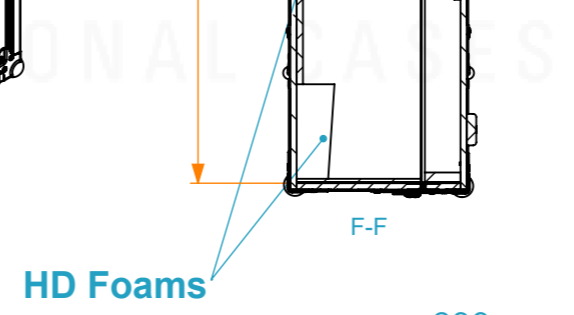
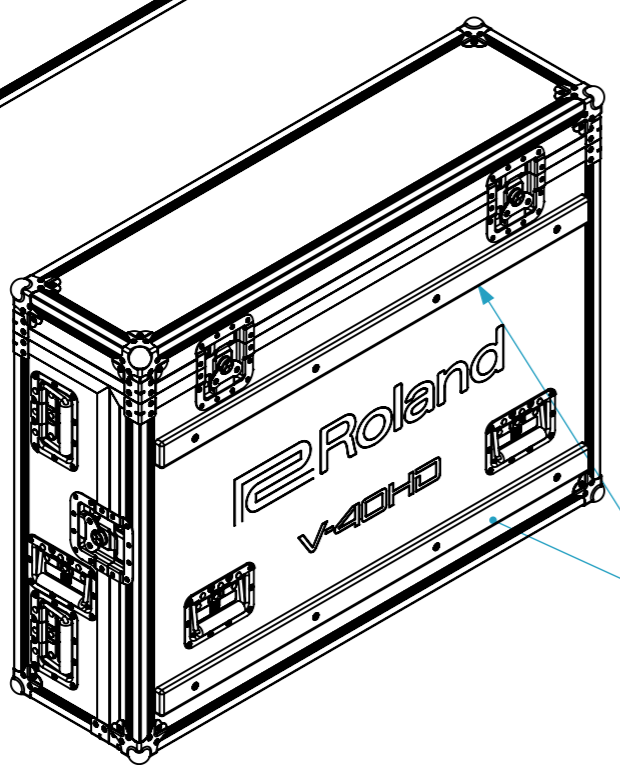
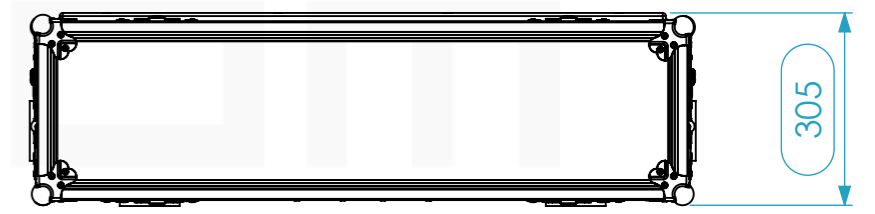
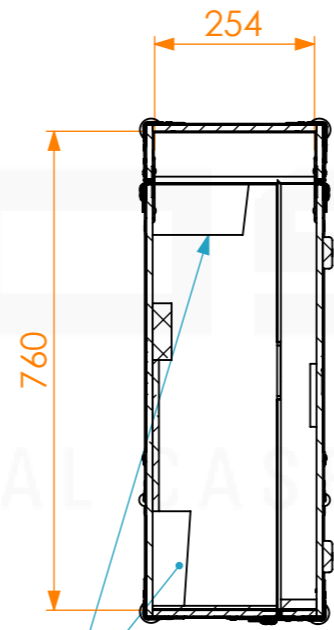
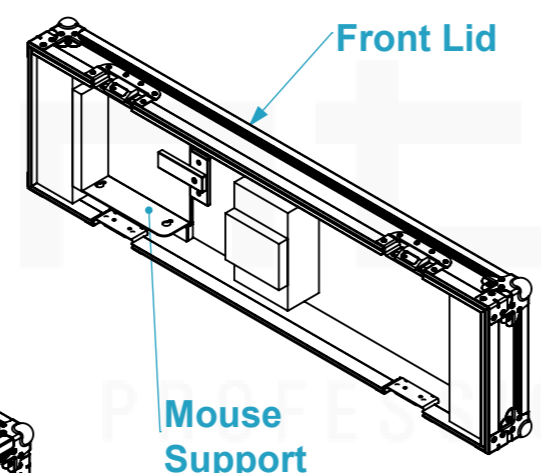
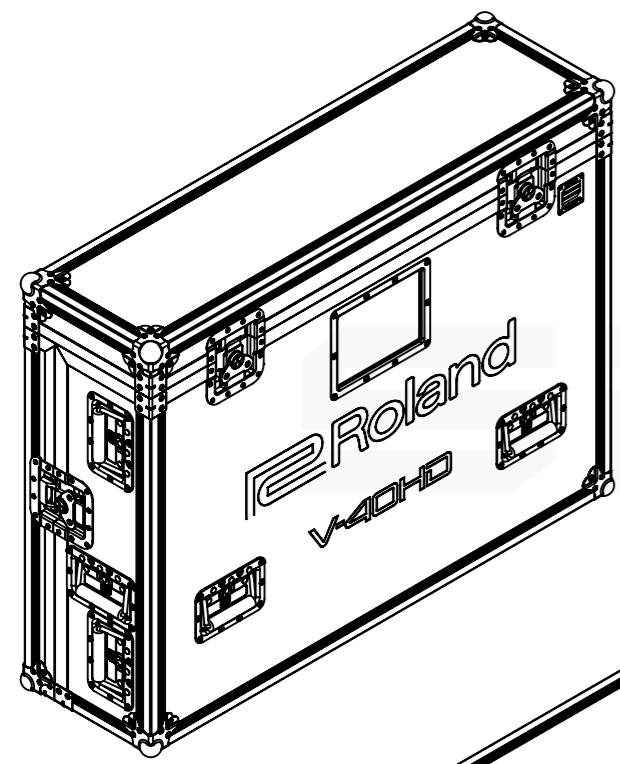
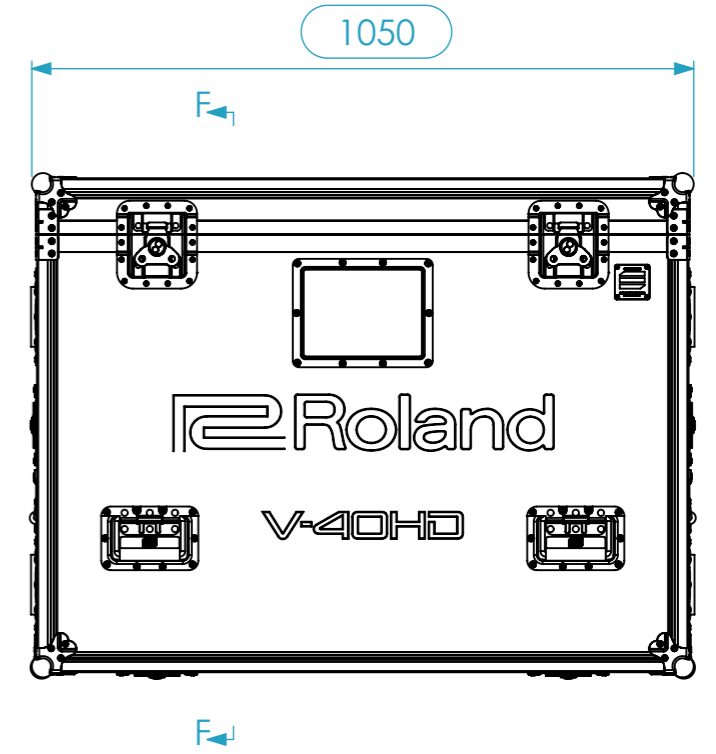
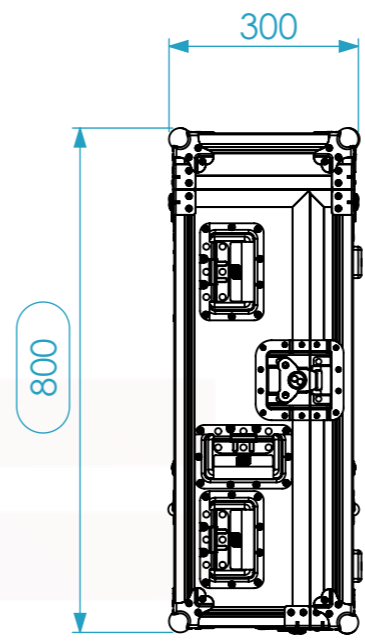
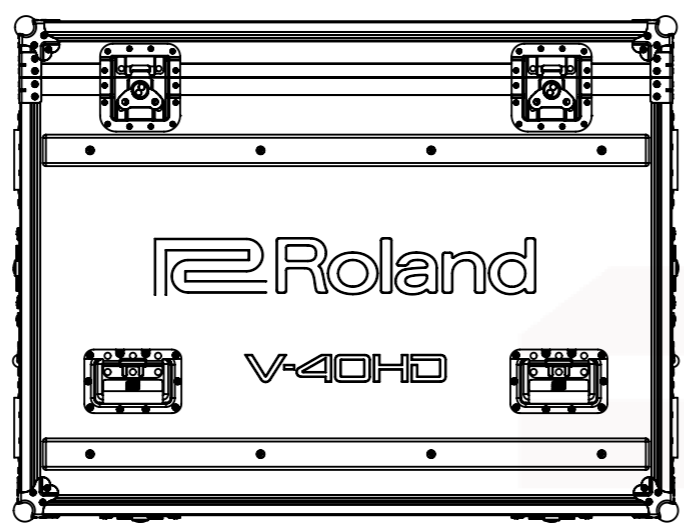


Equipment	ROLAND V-40HD	
Width	Depth	Height
317	266	116
Weight	Approx. 33 Kg	
Wall Thickness		10mm



Name	Date
alexandre	20-11-2018
Reference	STAT.119.A10
Scale	1:12
units in mm	general tolerance 0.8mm
DO NOT SCALE	
FC X13M,	VIDEO REGIE TOUCH



This drawing must not be copied or disclosed without consent of the owner

A3

