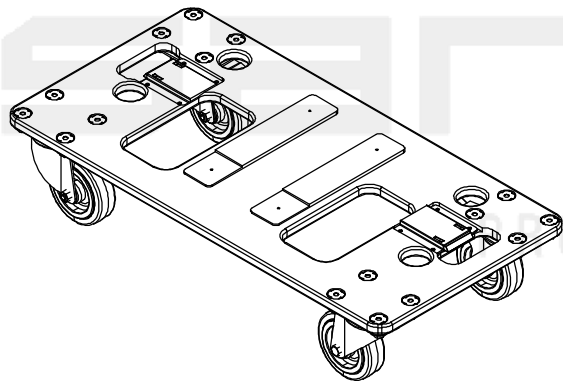
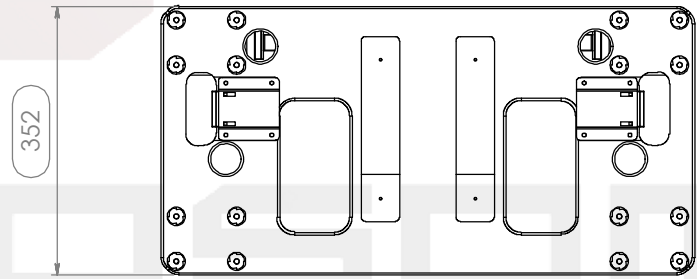
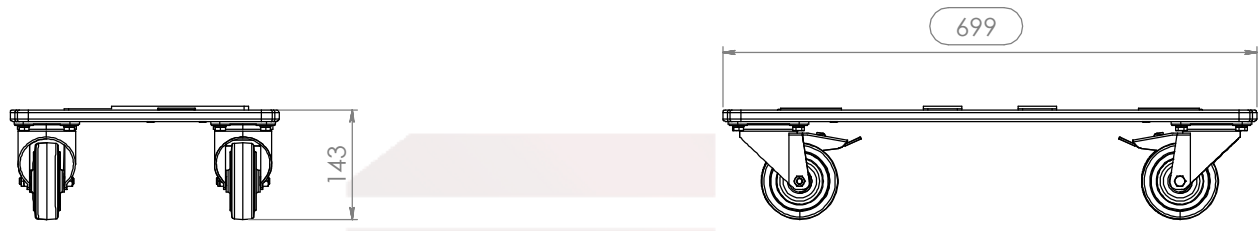


Weight	Approx. 4 Kg
Wall Thickness	15mm



Hardware		
Qty	Ref.	Description
2	RODA.100T	Swivel castor Ø100mm with brake
2	RODA.100	Swivel castor Ø100 mm

Drawn by	projects	Name	R3A.12034	Date	28/07/2017
Reference		Scale	1:7	units in mm	DO NOT SCALE
		general tolerance	0.8mm		
			SKATE.1185X335		

This drawing must not be copied or disclosed without consent of the owner



A3