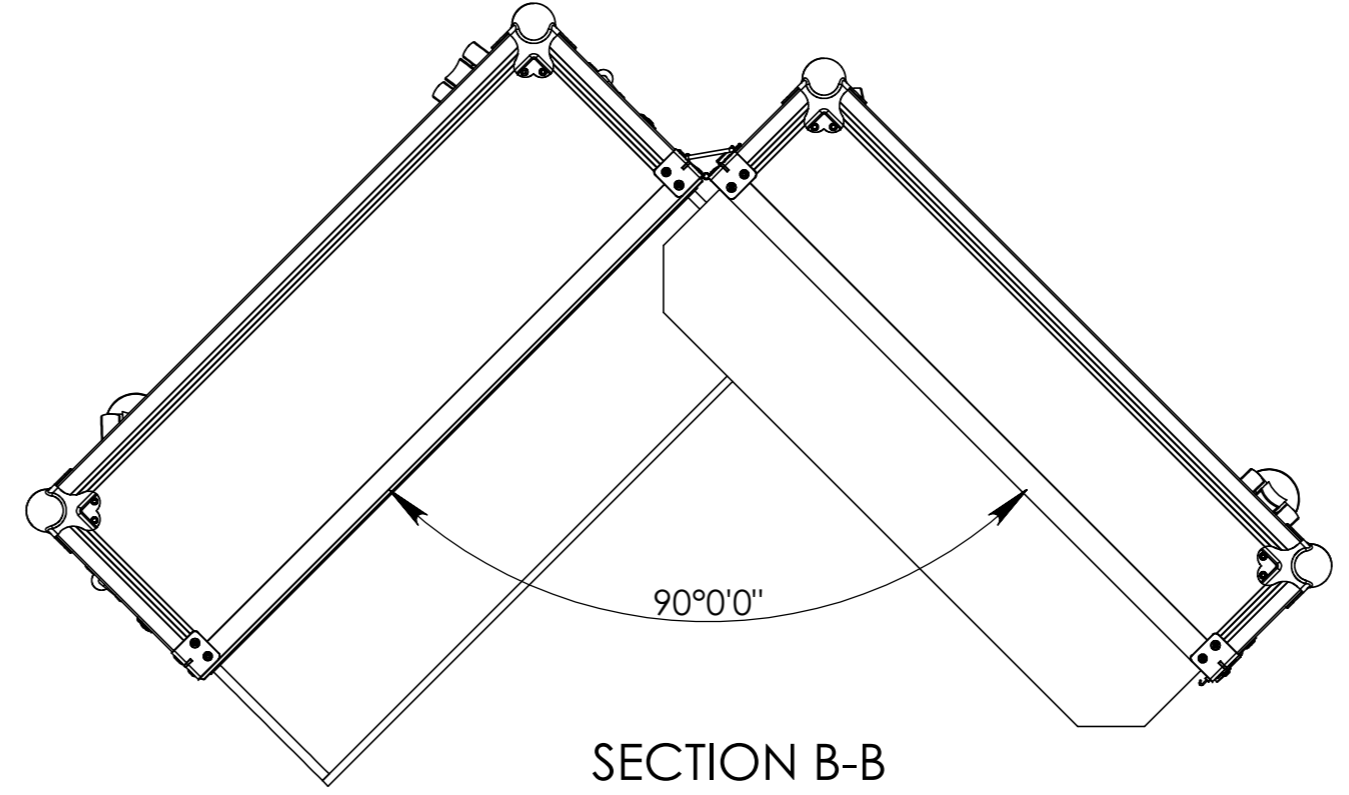
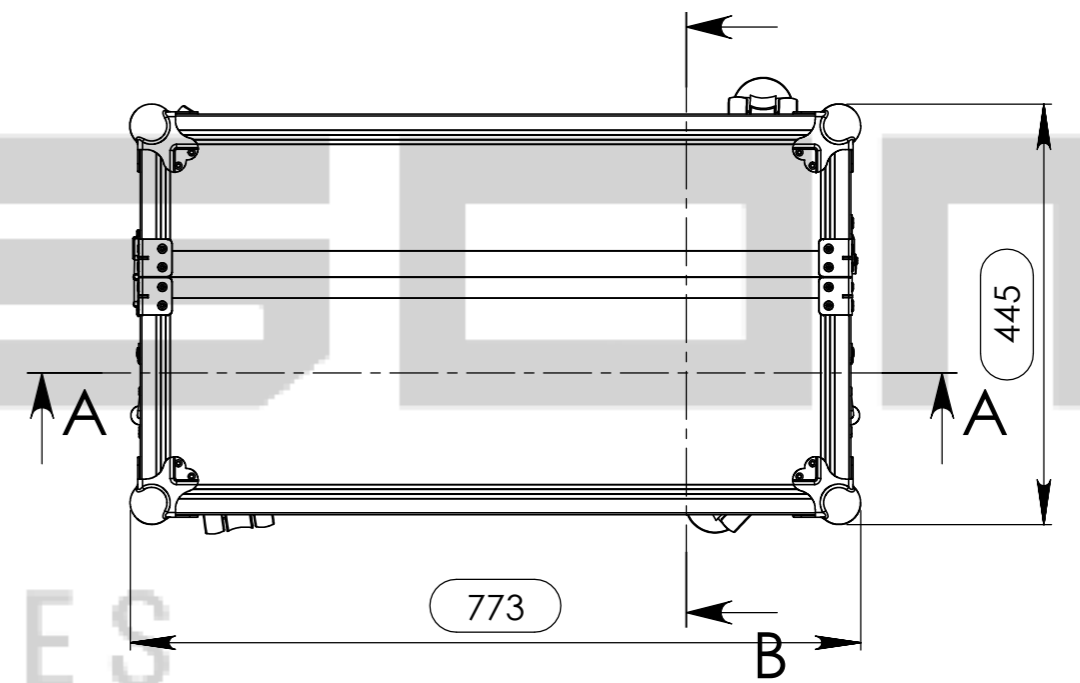
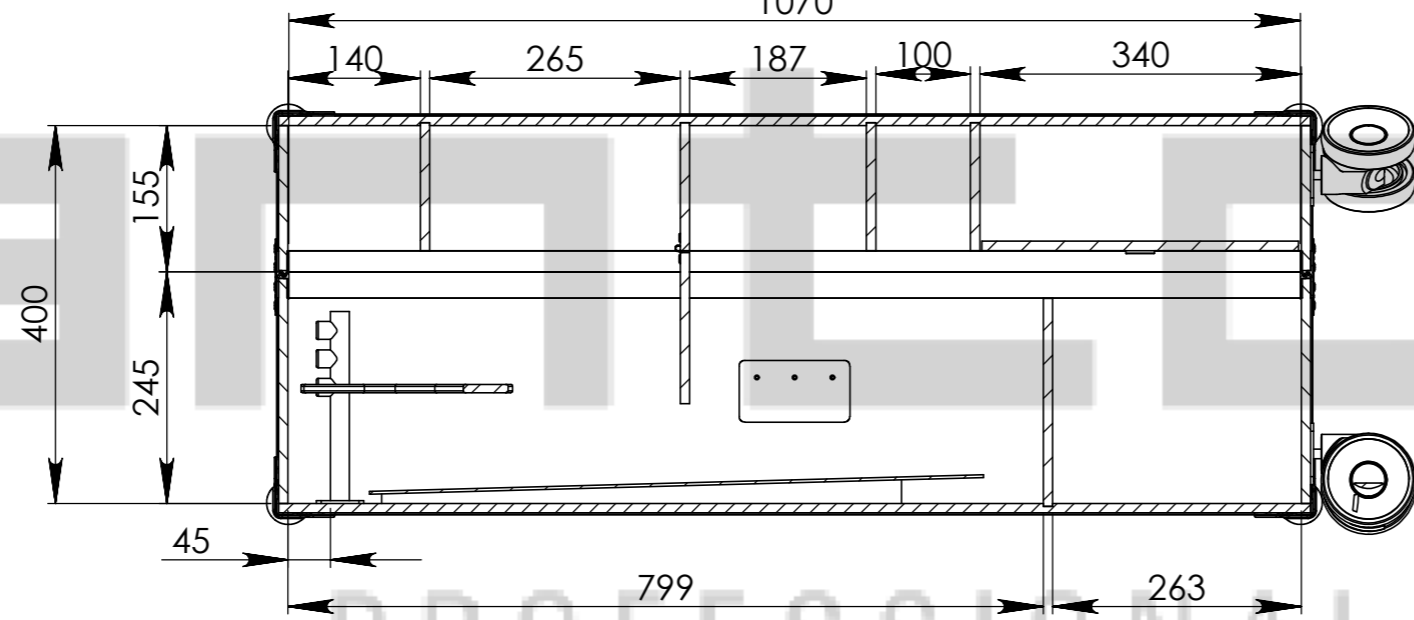
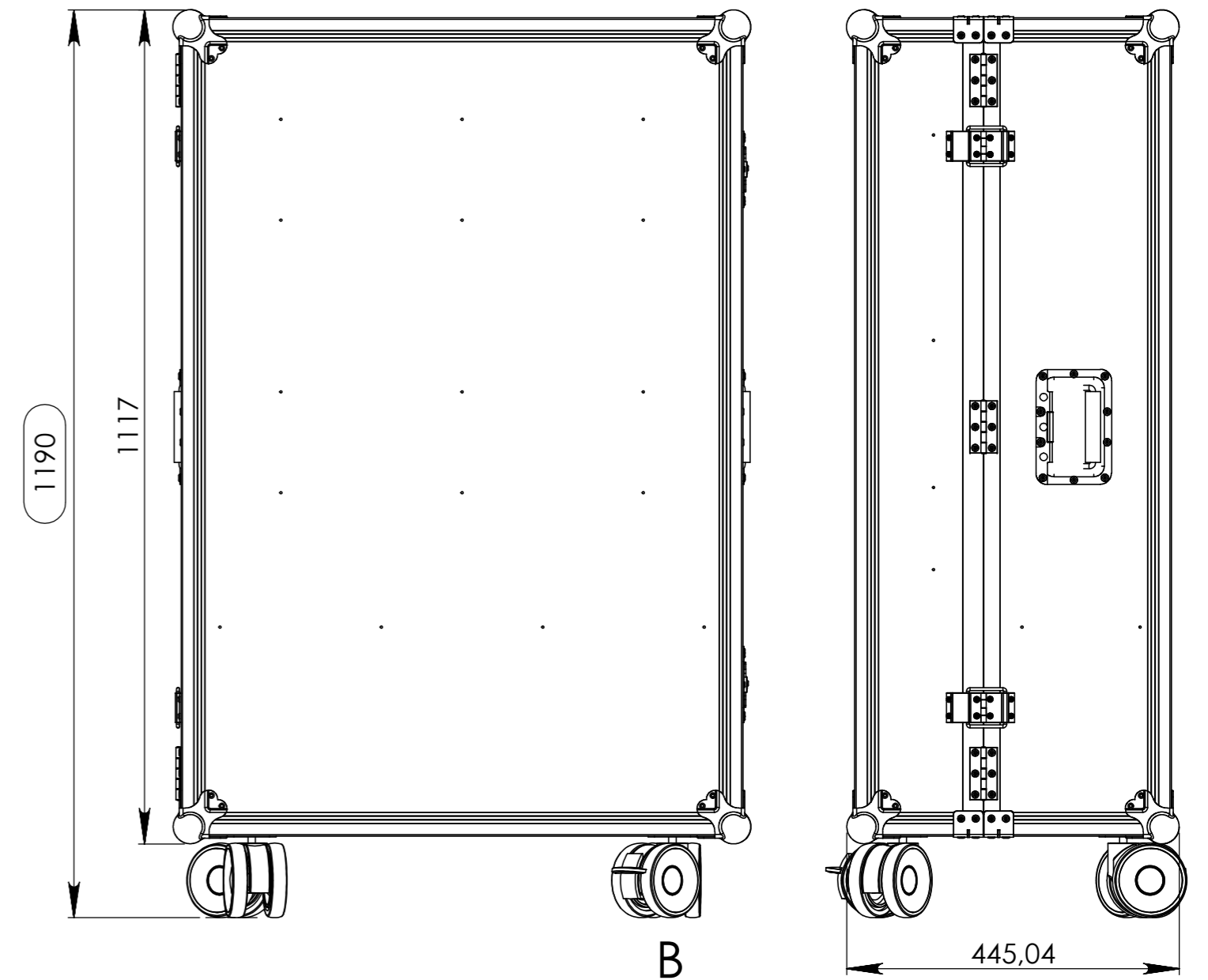
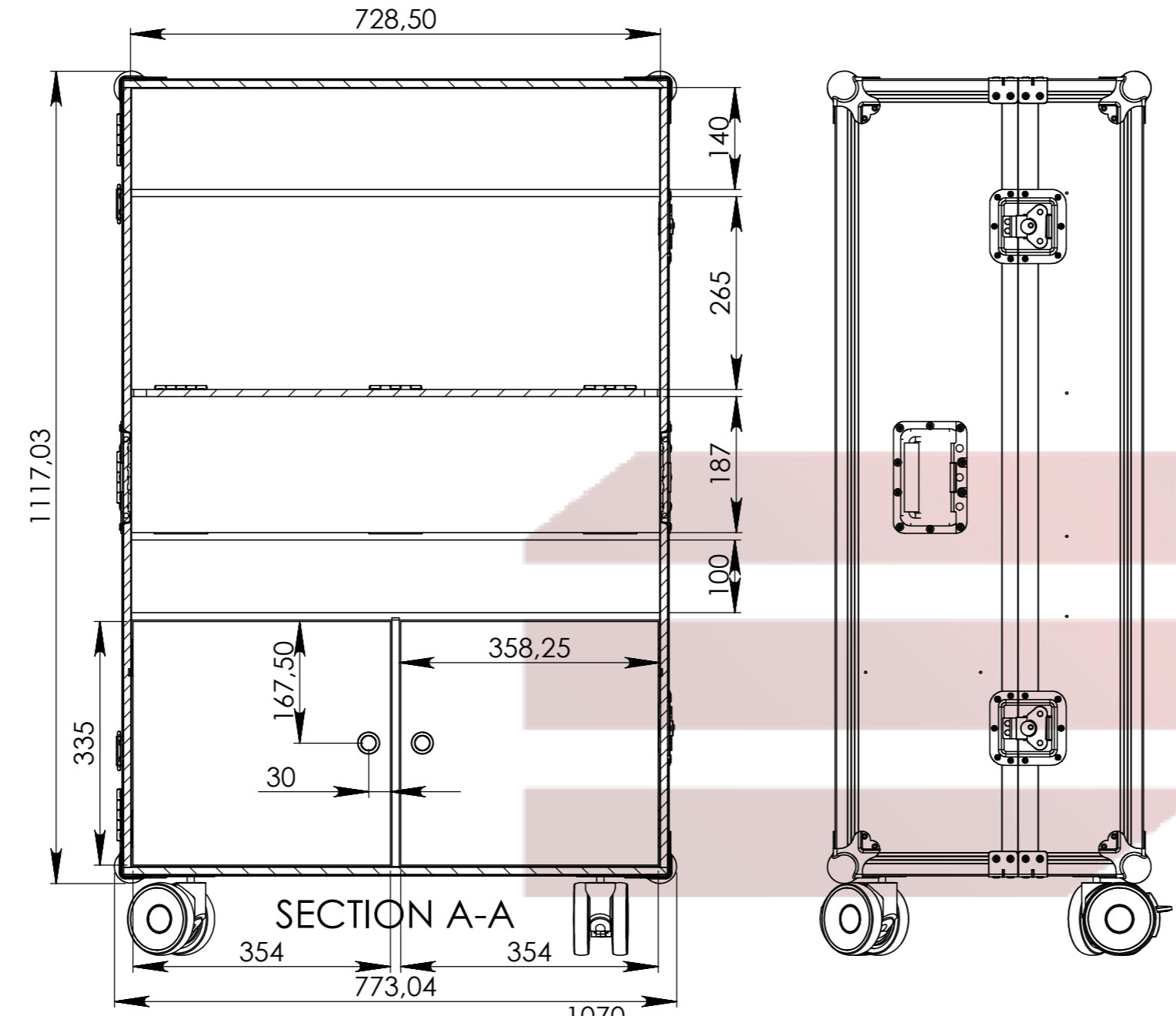
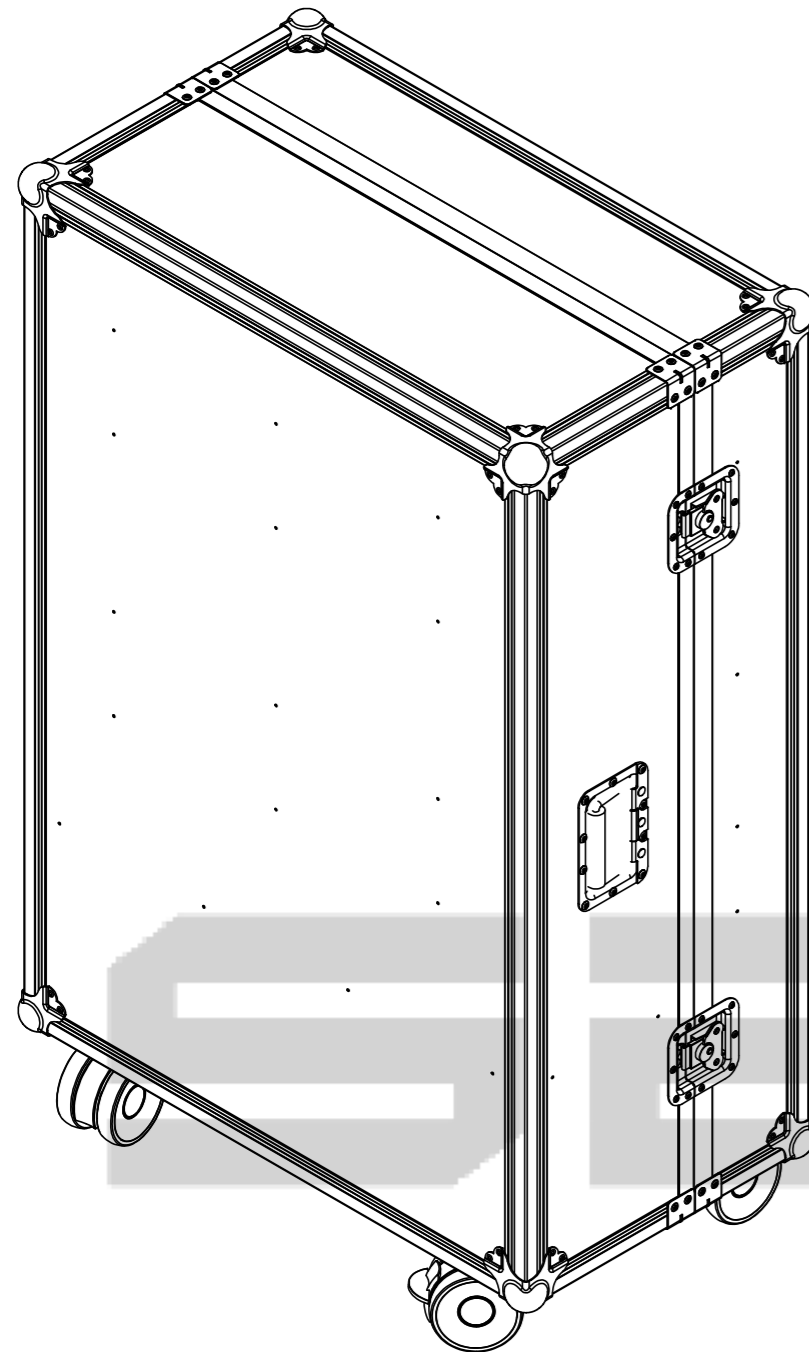


Interior dimensions

Width	Depth	Height
1117,03	400	773,04
Weight	Approx. 29 Kg	
Wall Thickness	10mm	

REVISIONS				
ZONE	REV.	DESCRIPTION	DATE	APPROVED
-	-	Final Drawing	16/04/2014	Delfim Alves



Hardware		
Qty	Ref.	Description
8	410429	Ball Corner large three-leg cranked 35 mm 9 holes
8	40403	Large corner bracket f. 35mm case angle
2	17290S	Key lockable medium Butterfly special
2	2524	Heavy Duty Strut Hinge, zinc plated
6	2602	Medium duty butt hinge z./p.
4	2601	Hinge small 1,3 mm Steel zinc plated
2	34082	Recessed sprung handle medium model

Drawn by	Delfim Alves	Date	23-04-2014
Reference	BAR.121		
Scale	1:8	Scale	DO NOT SCALE
This drawing must not be copied or disclosed without consent of the owner		1st Angle projection	general tolerance 0.8mm

1080X726X490MM, COM RODAS