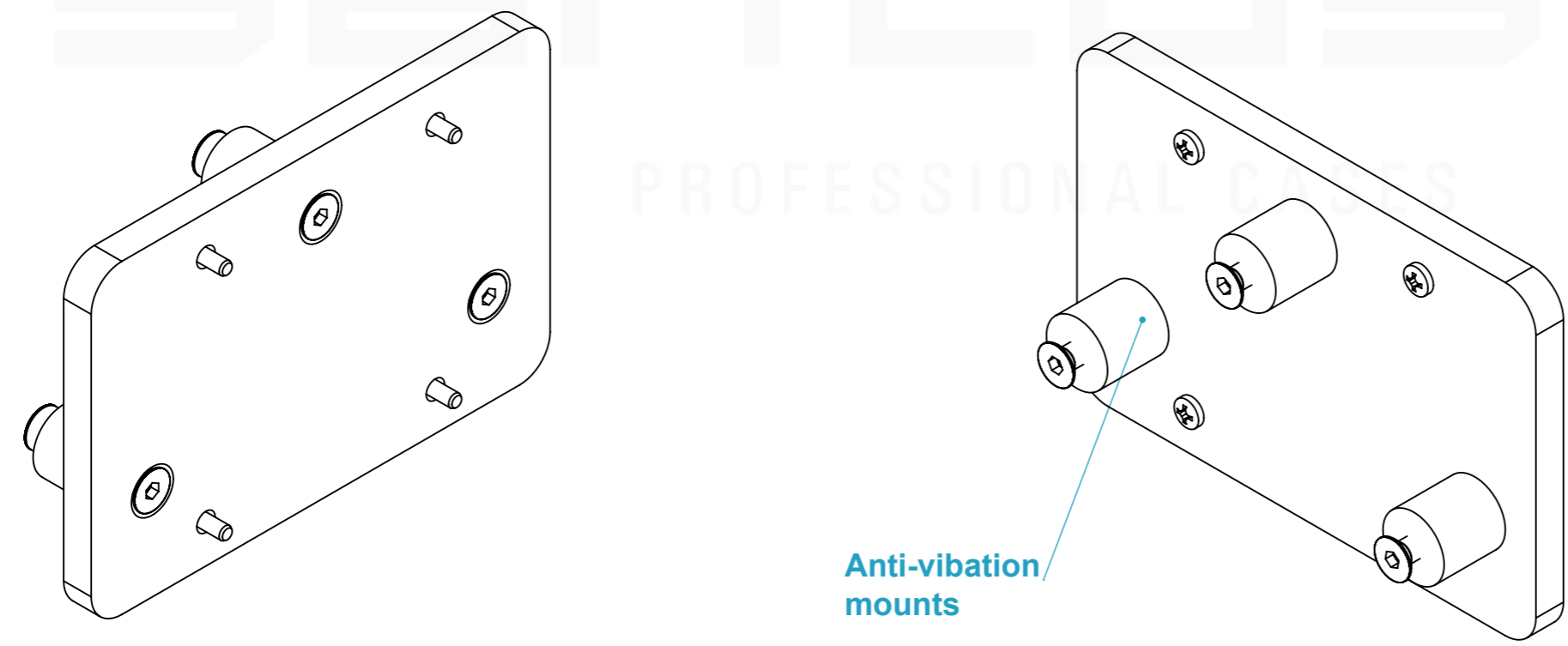
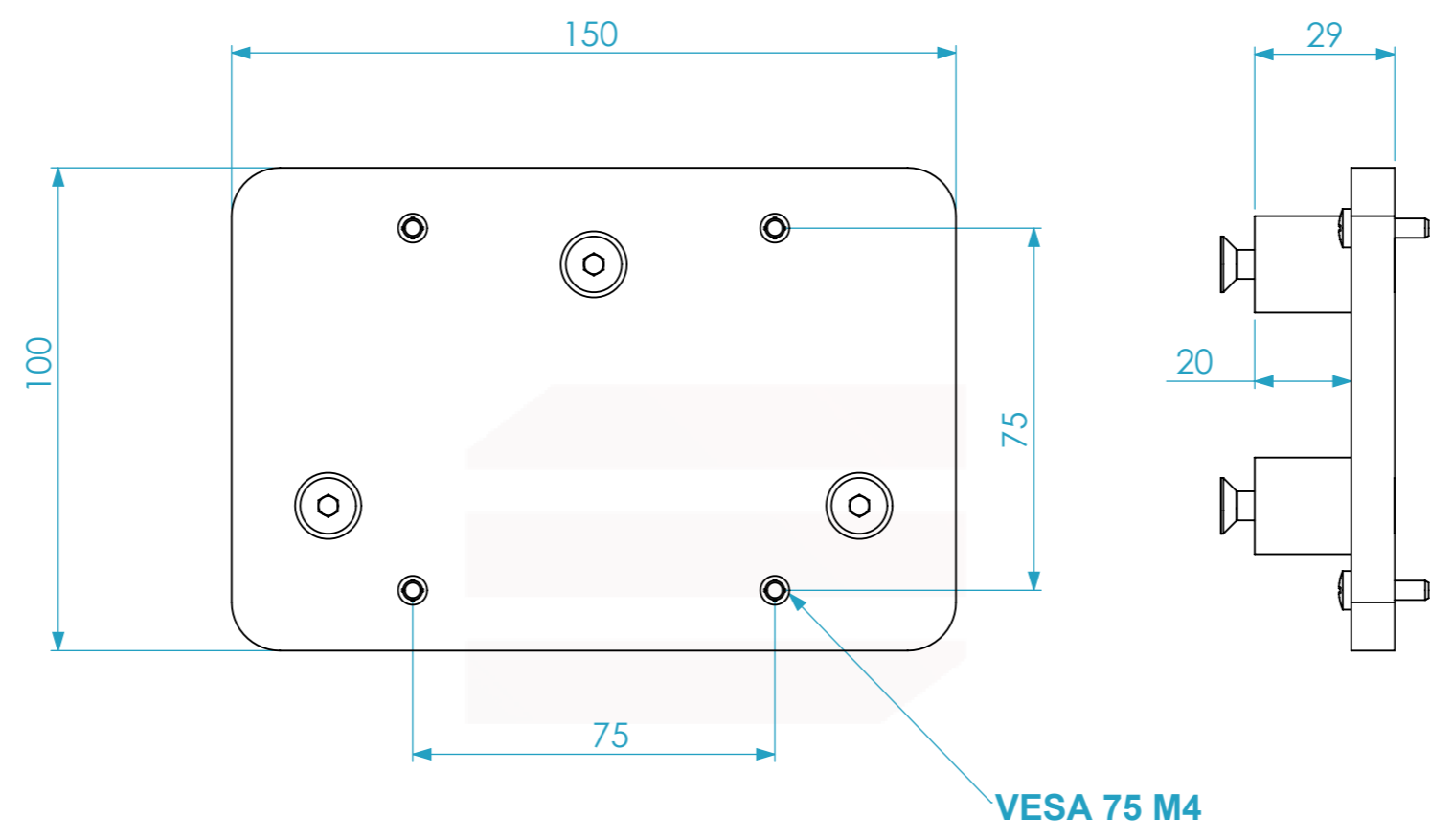


Weight	Approx. 0.13 Kg
Wall Thickness	9mm



Drawn by	Name	Date
alexandre	alexandre	07-05-2018
Reference	STAND.006	
Scale	units in mm	general tolerance
1:1.5	DO NOT SCALE	0.8mm
1st Angle projection	SUPPORTE ANTI-SHOCK TTF 150x100 MM, VESA 75	



This drawing must not be copied or disclosed without consent of the owner

A3