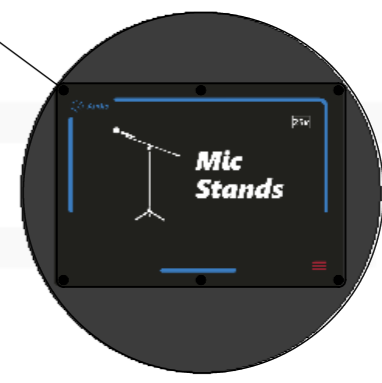
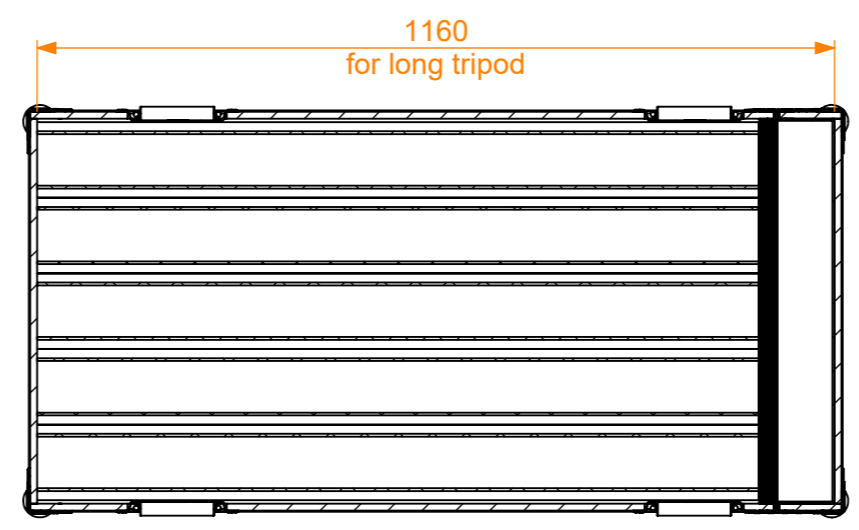
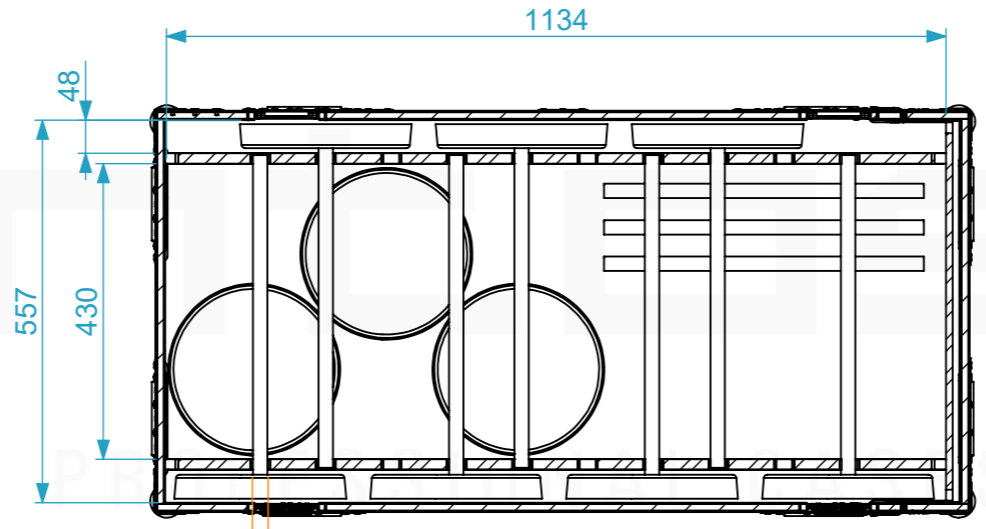
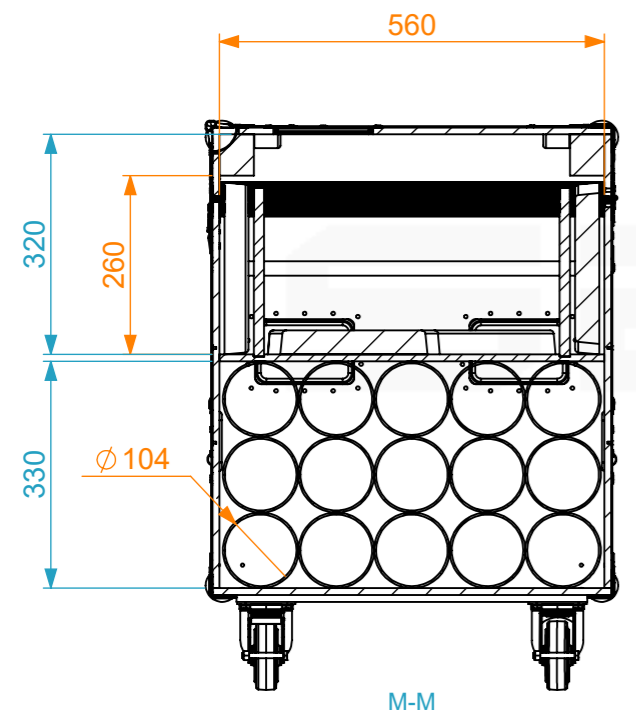
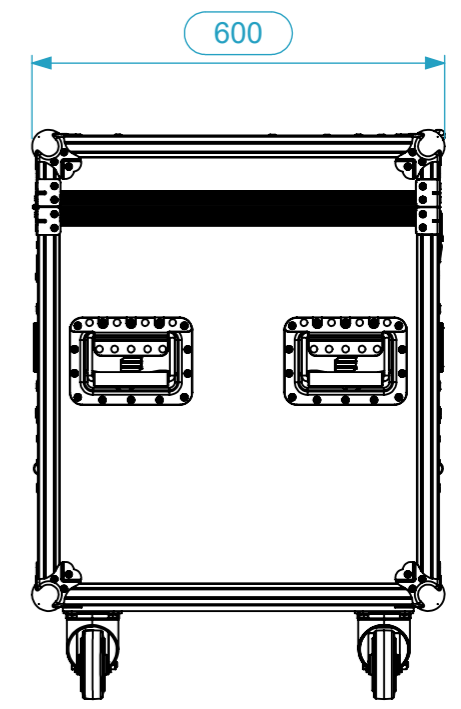
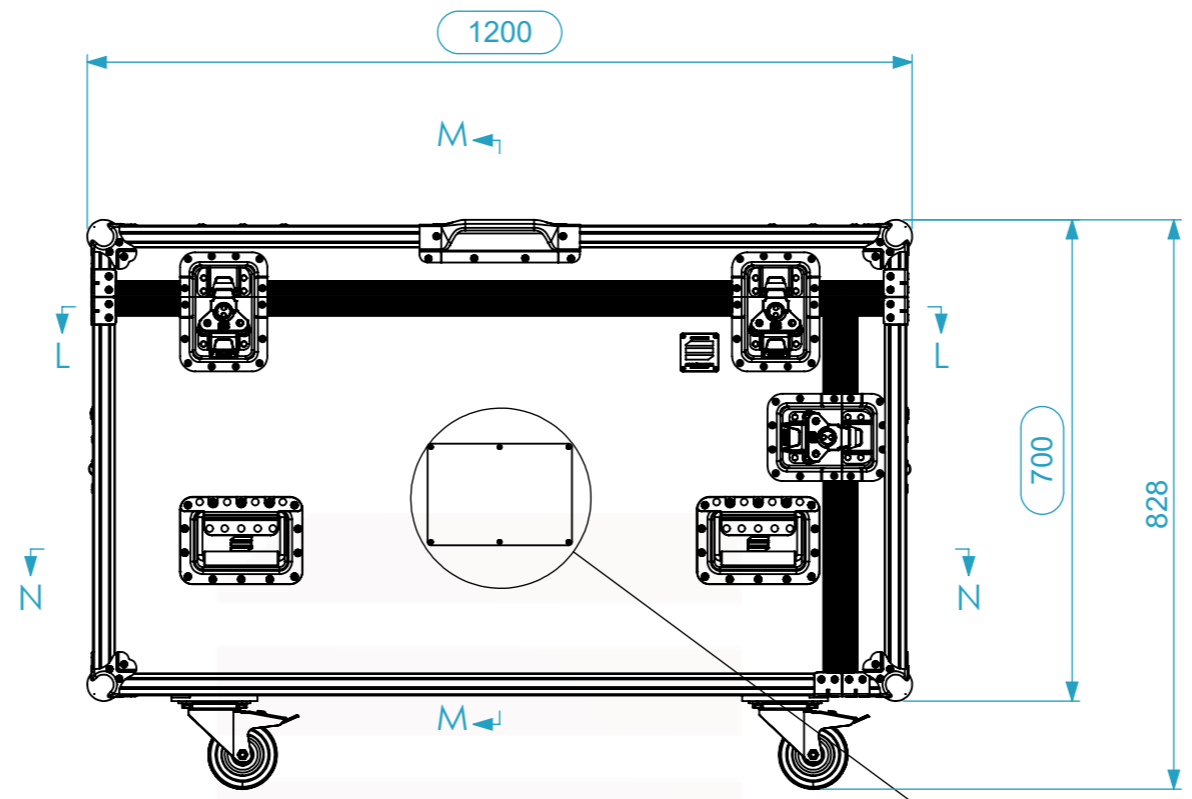
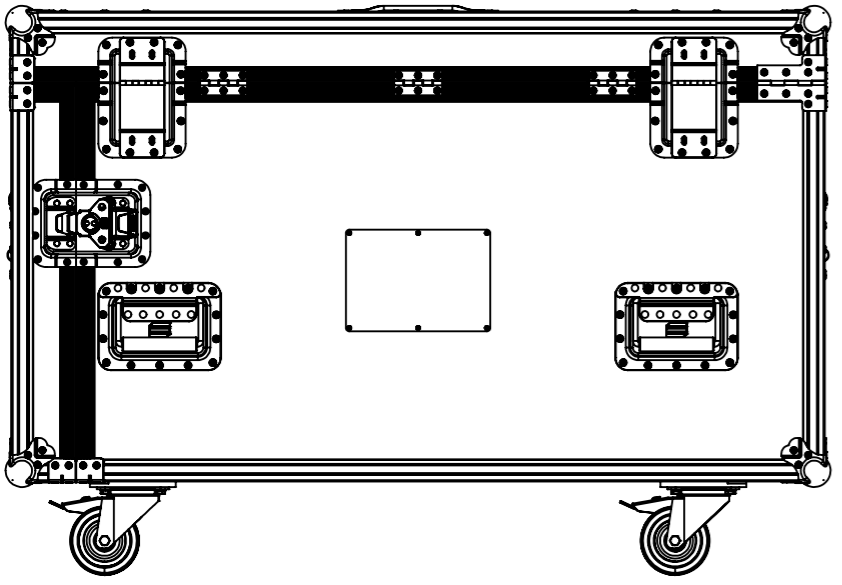


Internal Dimensions		
Width	Depth	Height
1129	550	200
Weight	Approx. 77.54 Kg	
Wall Thickness	10mm	



General External Dimensions		Usable Inner Dimensions	
W	Width	Wi	Inside Width
D	Depth	Di	Inside Depth
H	Height	Hi	Inside Height

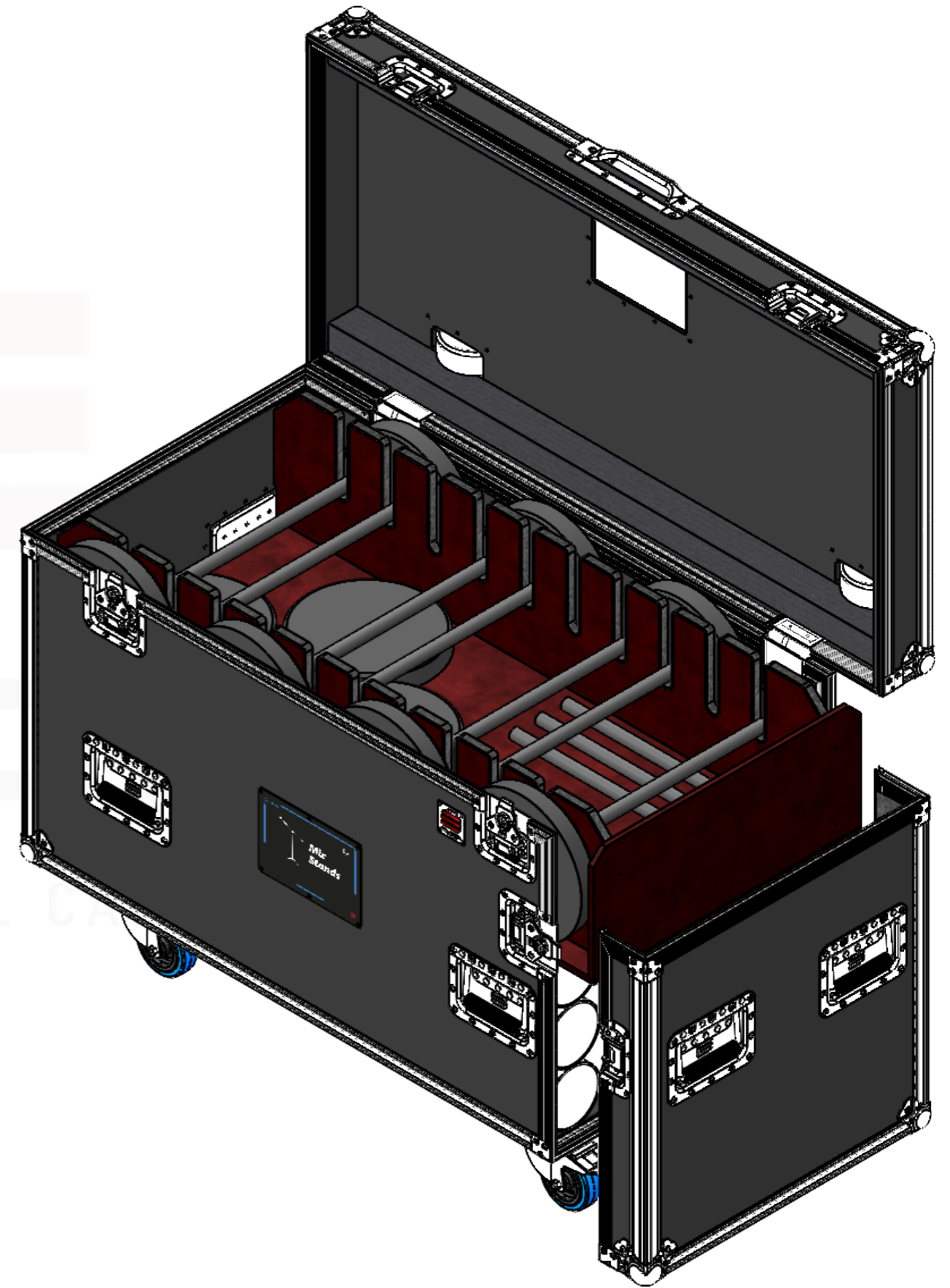
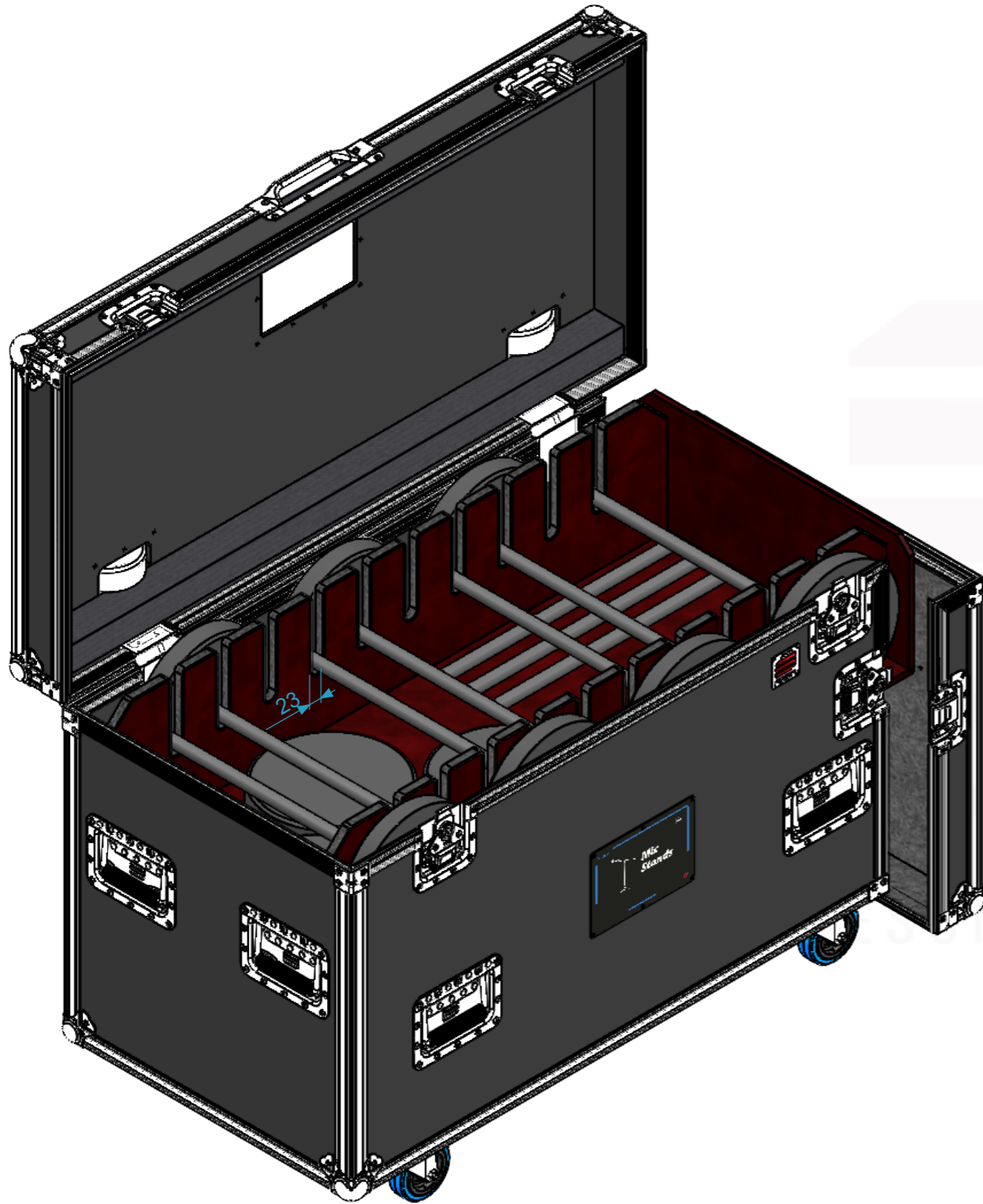
Name	Date
Drawn by paula.almeida	07/08/2024
Reference	ST2B.1206070
Scale	1:1
units in mm	general tolerance 0.8mm
DO NOT SCALE	
Flight case PRO-2B, 15 Mic Stand +10 Mic Stand	



This drawing must not be copied or disclosed without consent of the owner



A3



	Name	Date
Drawn by	paula.almeida	07/08/2024
Reference	ST2B.1206070	
Scale	units in	general tolerance
	mm	0.8mm
1:8	DO NOT SCALE	
Flight case PRO-2B, 15 Mic Stand + 10 Mic Stand		



This drawing must not be copied or disclosed without consent of the owner



A3