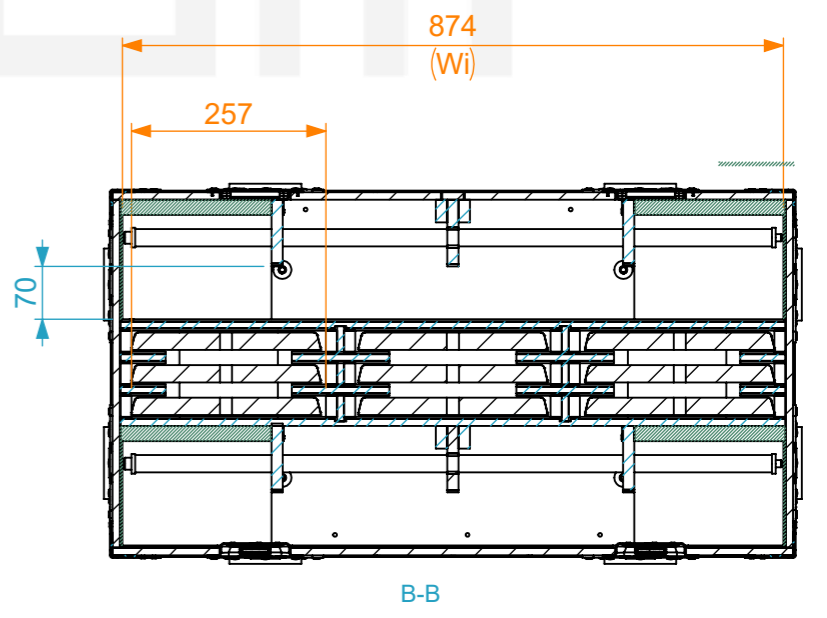
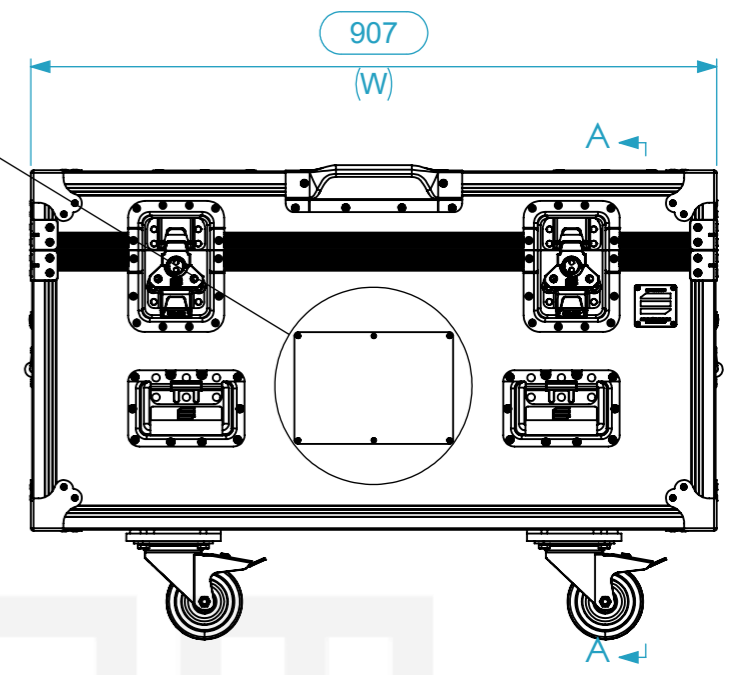
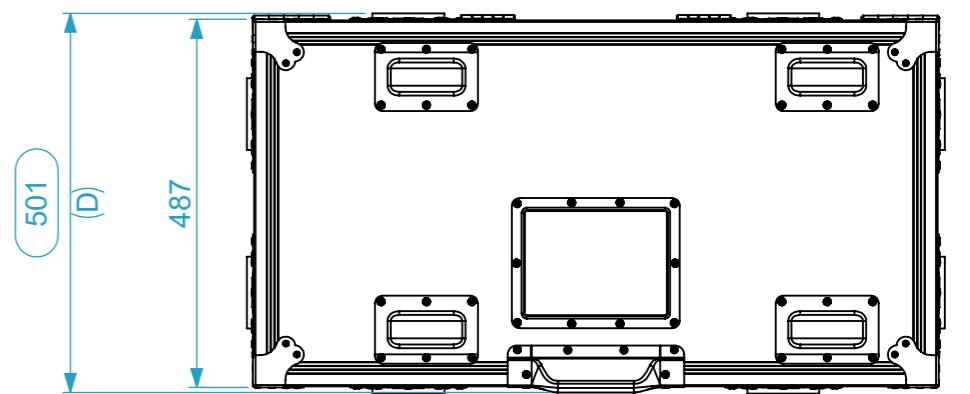
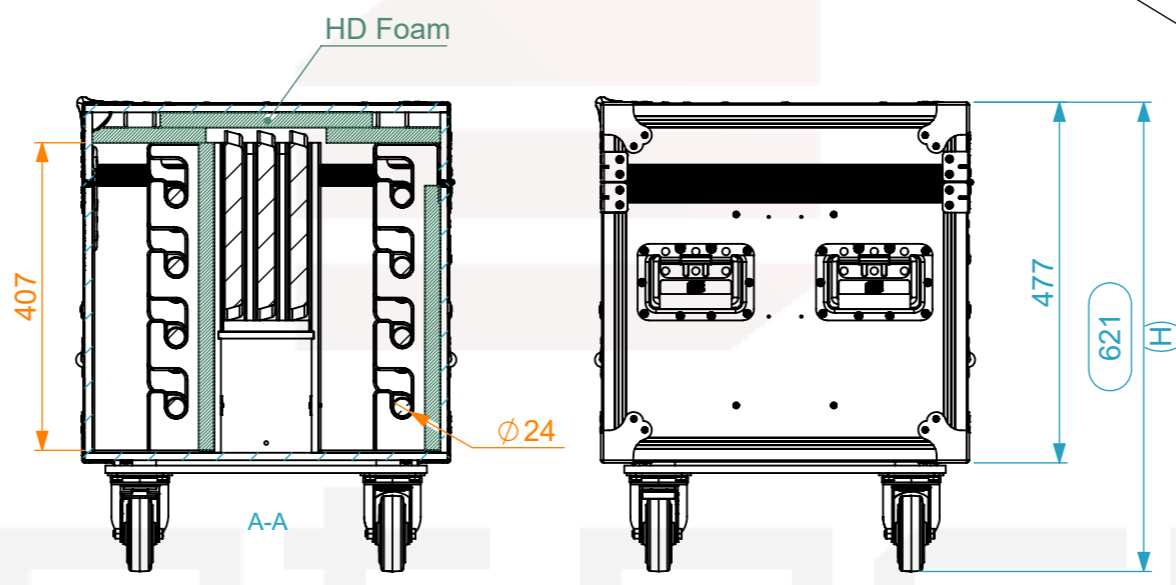
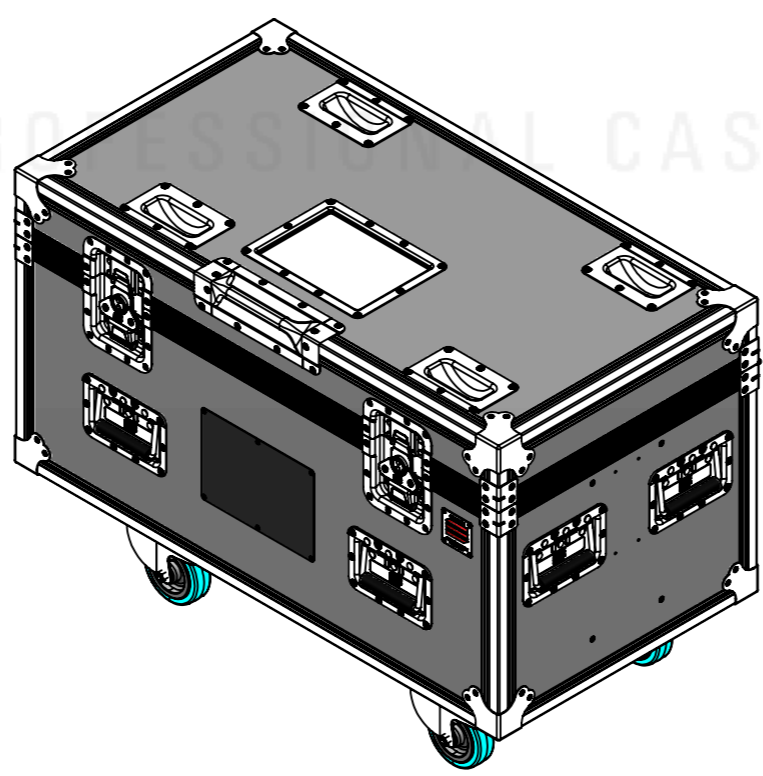
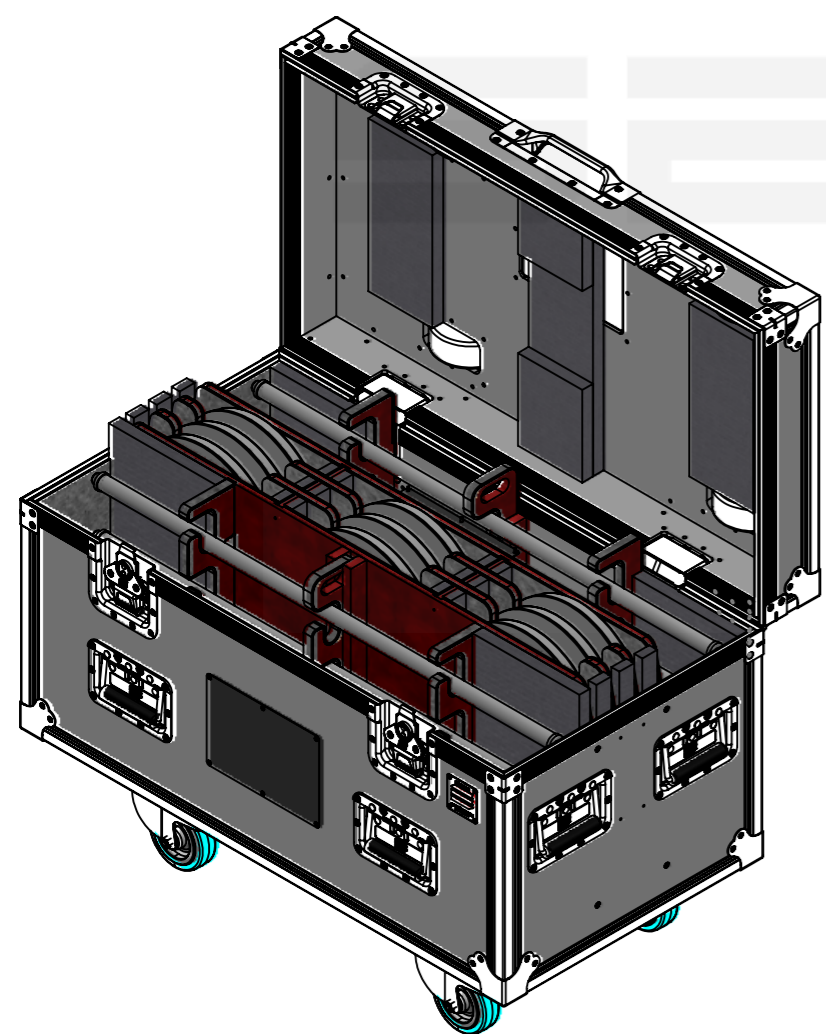
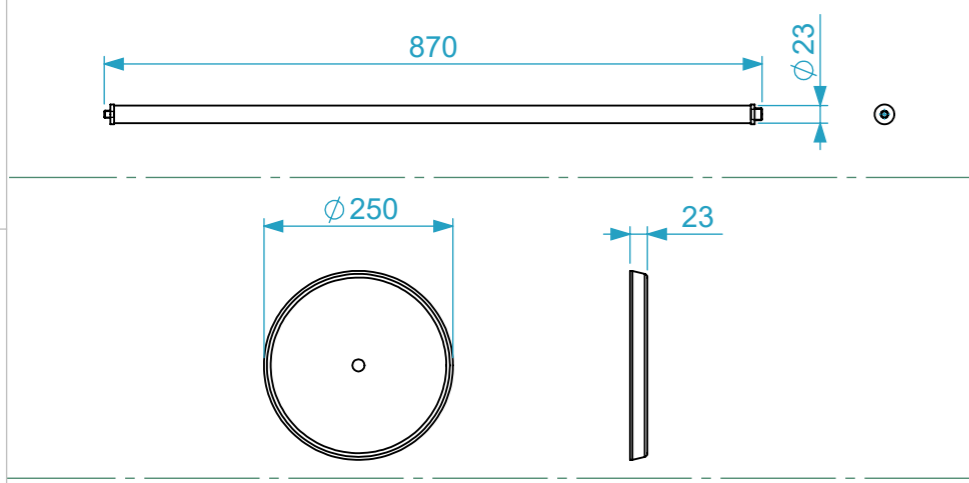


Equipment		K&M 260	
Width	Depth	Height	
Ø23	Ø23	870	
Weight	Approx. Kg		
Internal Dimensions			
Width	Depth	Height	
874	148	577	
Weight	Approx. 39 Kg		
Wall Thickness		10mm	



General External Dimensions		Usable Inner Dimensions	
W	Width	Wi	Inside Width
D	Depth	Di	Inside Depth
H	Height	Hi	Inside Height

Name	Date
Drawn by: jose.couto	19/09/2025
Reference	ST1B.K&M260.08
Scale	1:10
units in mm	general tolerance 0.8mm
DO NOT SCALE	
Flight case PRO 8x Tripés base Quadrada, K&M 260	



This drawing must not be copied or disclosed without consent of the owner



A3