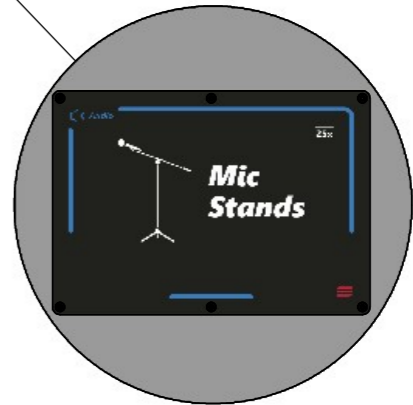
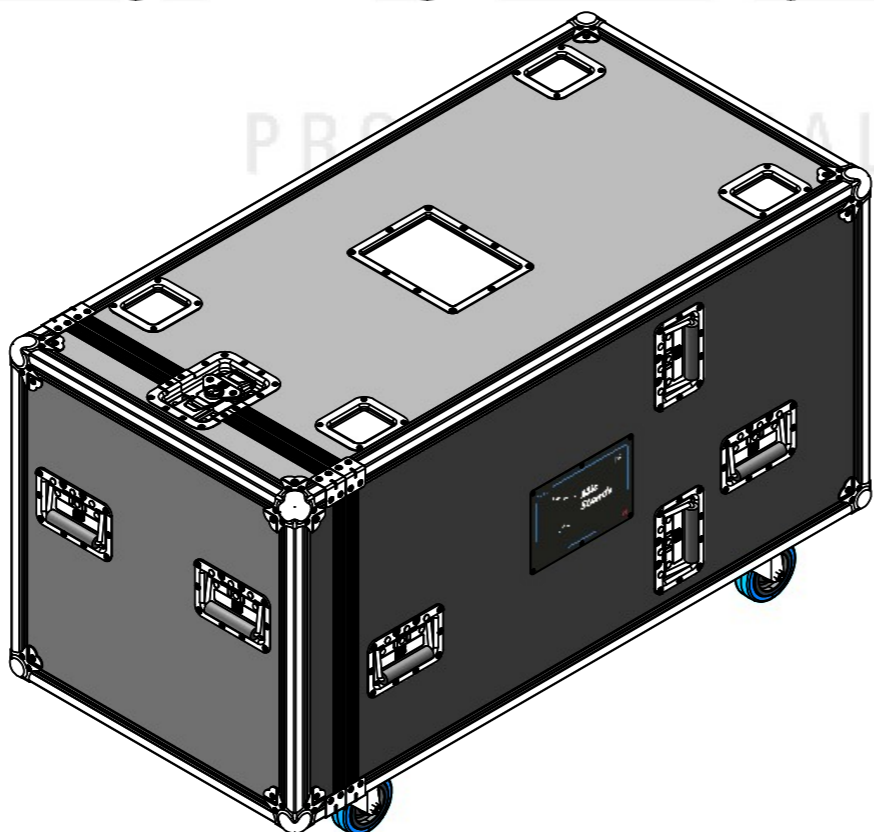
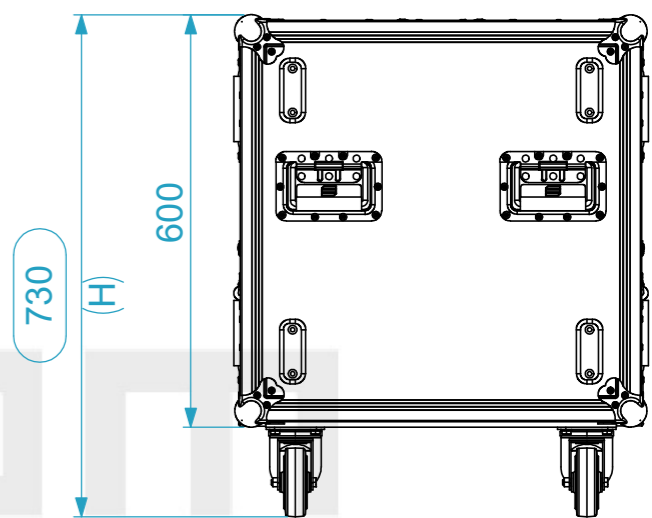
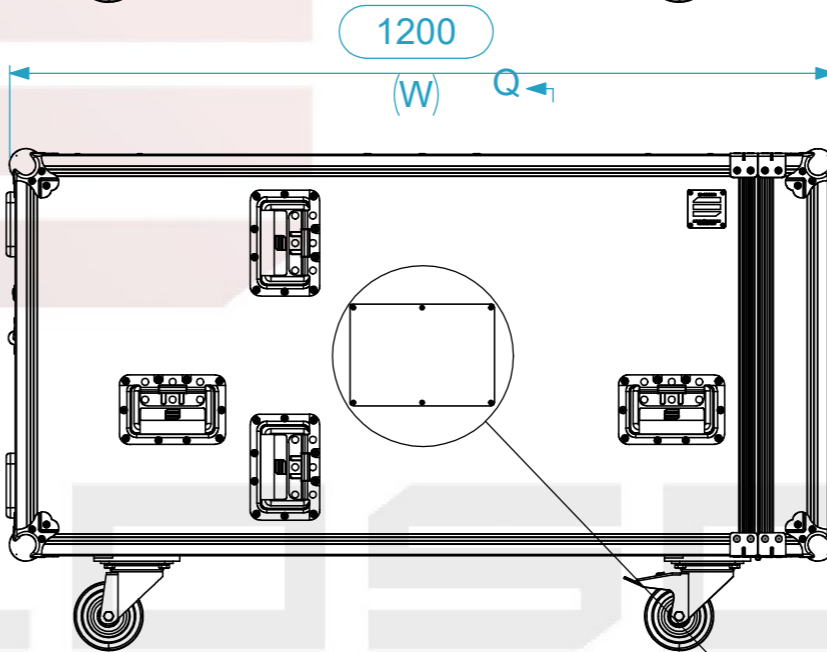
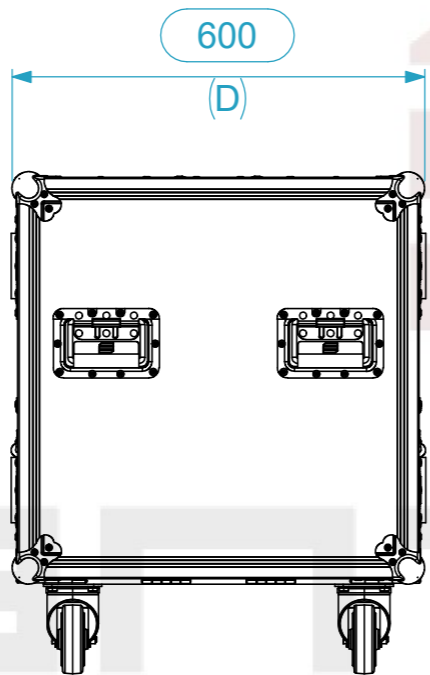
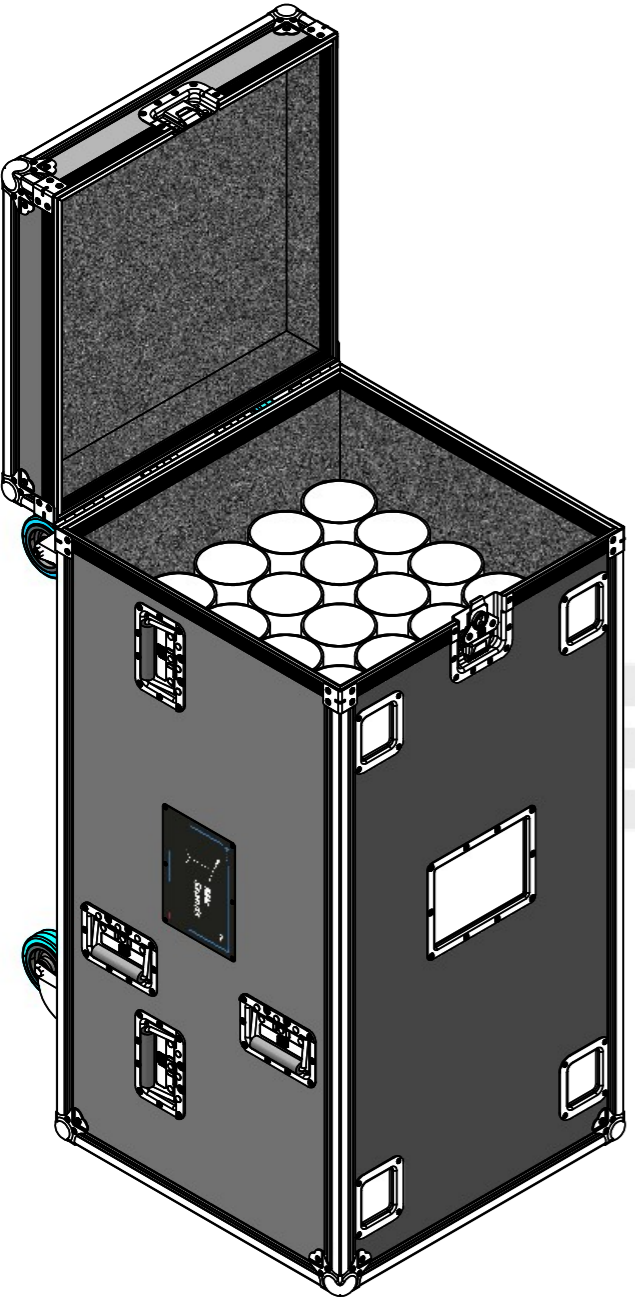
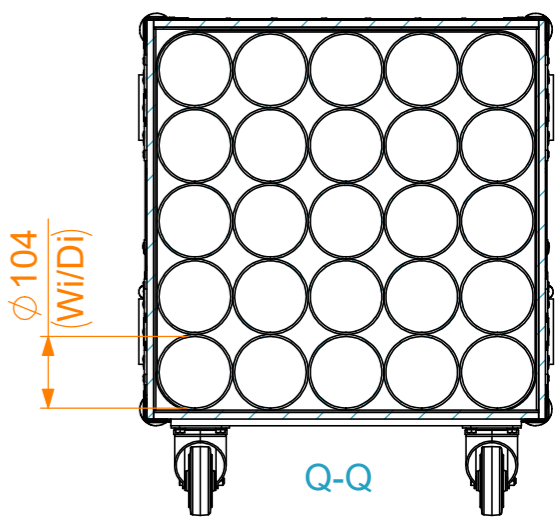
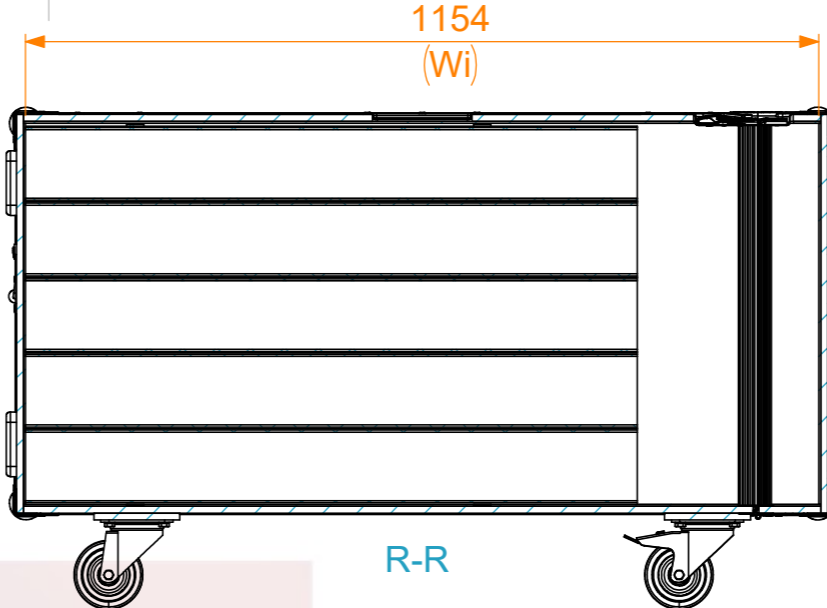


Equipment	25x Tripods	
Internal Dimensions		
Width	Depth	Height
1154	104	104
FC Weight	Approx. 61 Kg	
Wall Thickness		10mm



Name	Date
Drawn by catarina.silva	09/01/2025
Reference	ST1.1206060.25
Scale	units in mm DO NOT SCALE
1:1	general tolerance 0.8mm
Flight case PRO-1, 25 Mic Stand (Ø105x1090)	

This drawing must not be copied or disclosed without consent of the owner



A3

