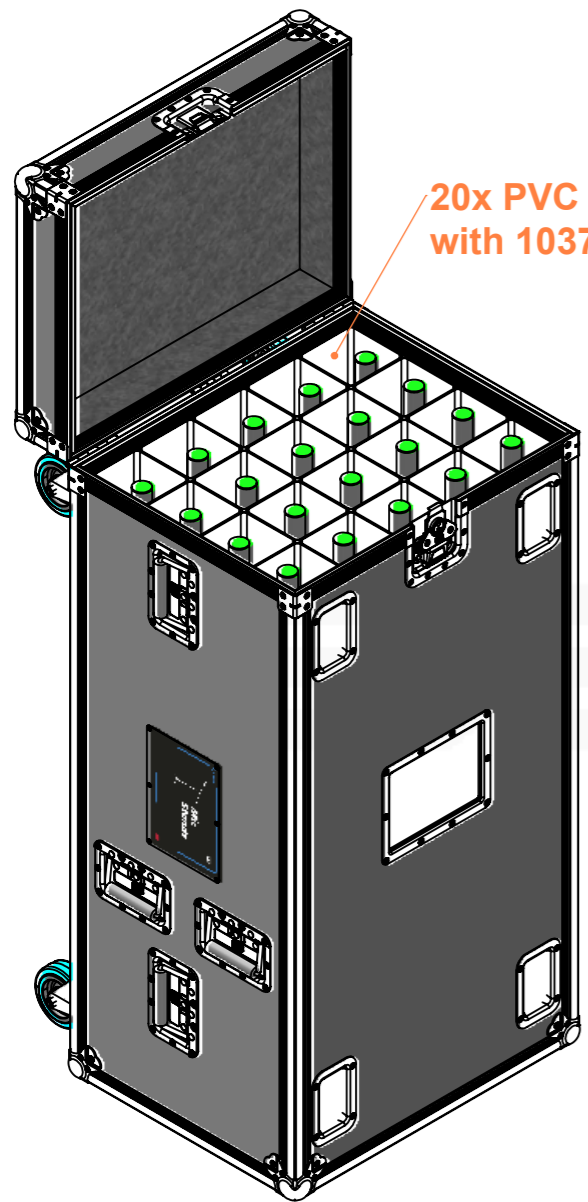
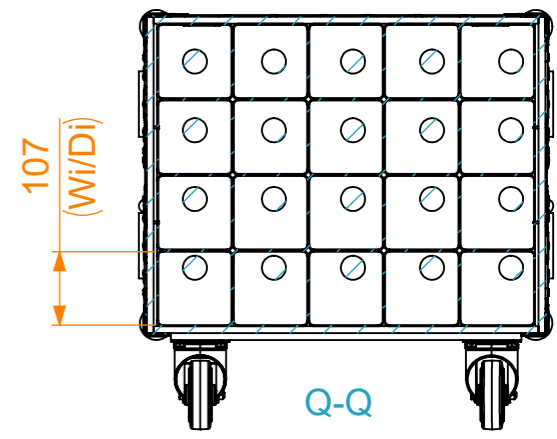
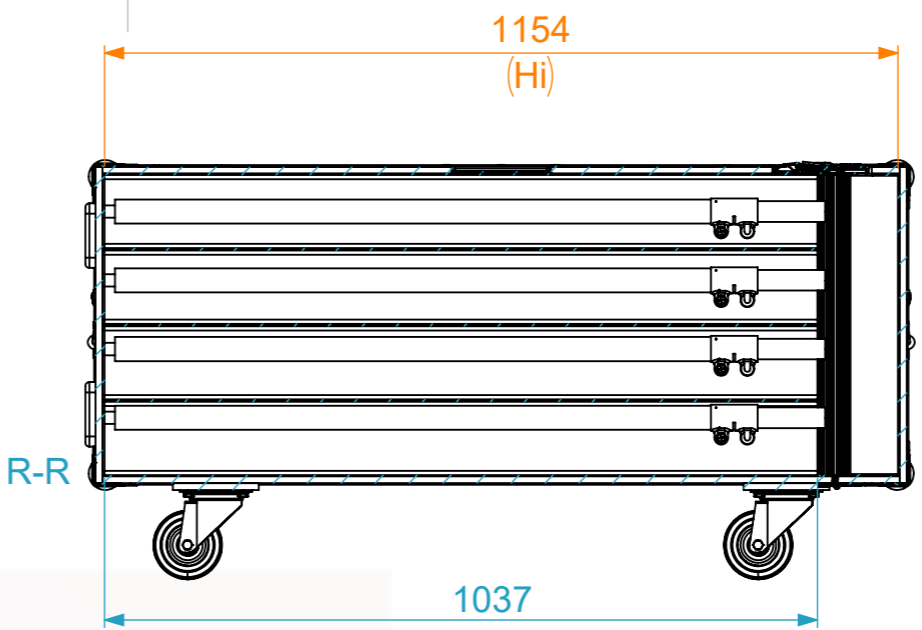
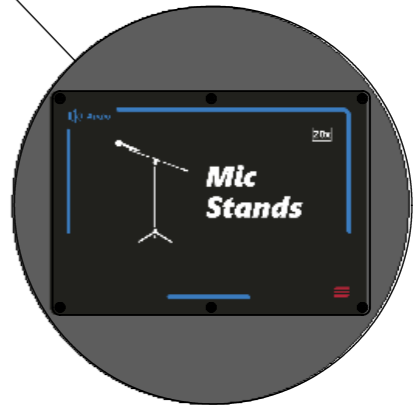
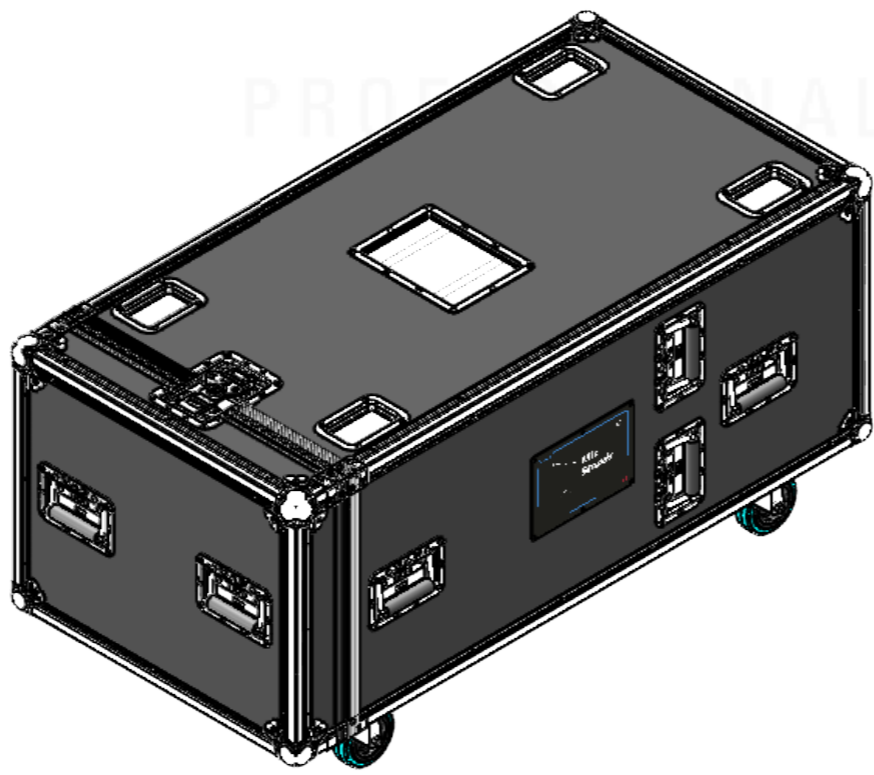
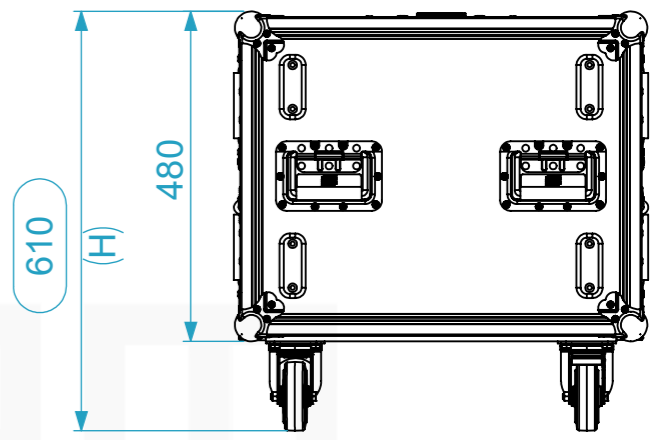
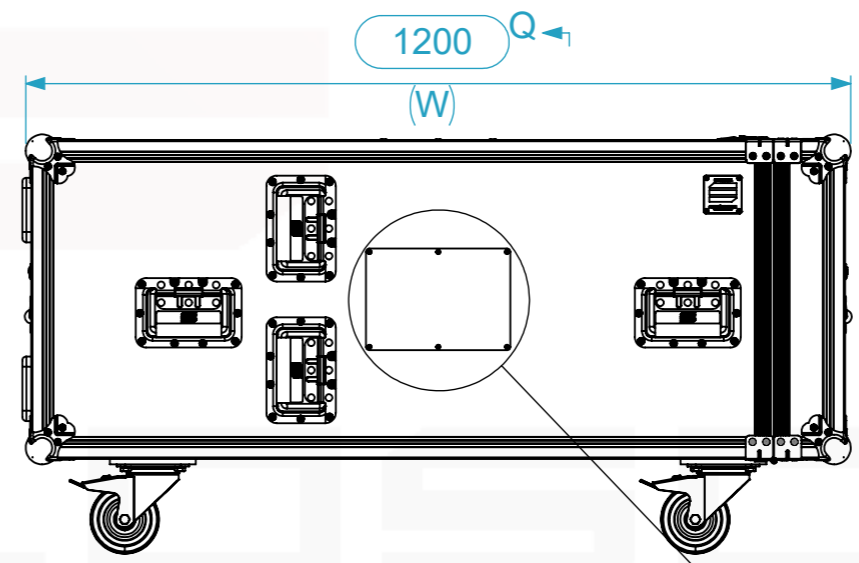
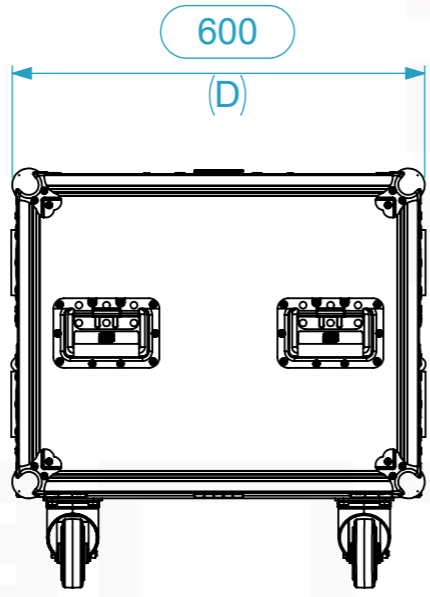


|                     |                  |        |
|---------------------|------------------|--------|
| Equipment           | 20x Tripods      |        |
| Internal Dimensions |                  |        |
| Width               | Depth            | Height |
| 1154                | 107              | 107    |
| FC Weight           | Approx. 35.55 Kg |        |
| Wall Thickness      |                  | 10mm   |



20x PVC tubes with 1037mm



|  |                |                   |
|--|----------------|-------------------|
| Drawn by                                   | Name           | Date              |
| tiago.pais                                 | tiago.pais     | 22/05/2026        |
| Reference                                  | ST1.1206047.20 |                   |
| Scale                                      | units in mm    | general tolerance |
| 1:1  | DO NOT SCALE   | 0.8mm             |
| Flight case PRO, 20x Mic Stand (Ø105x1090) |                |                   |



This drawing must not be copied or disclosed without consent of the owner



A3