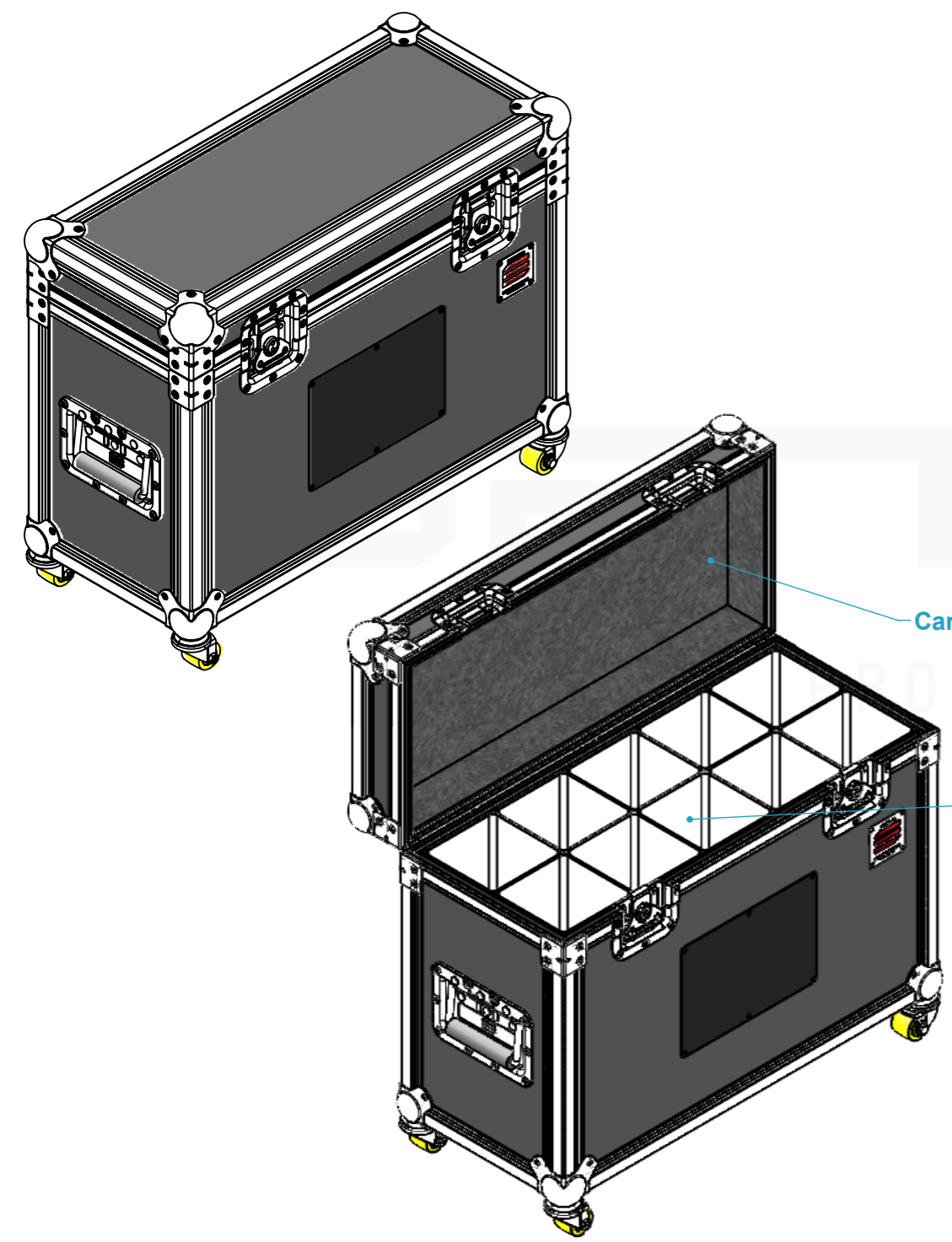
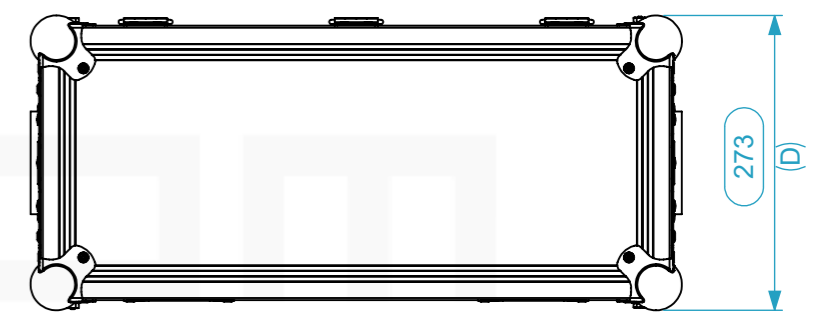
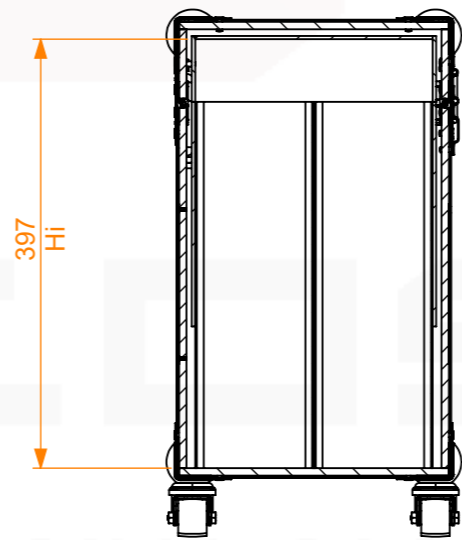
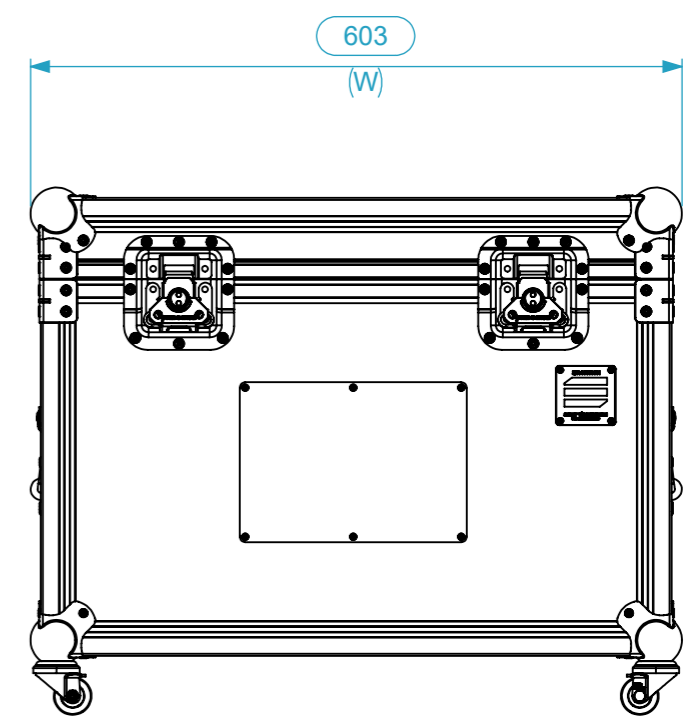
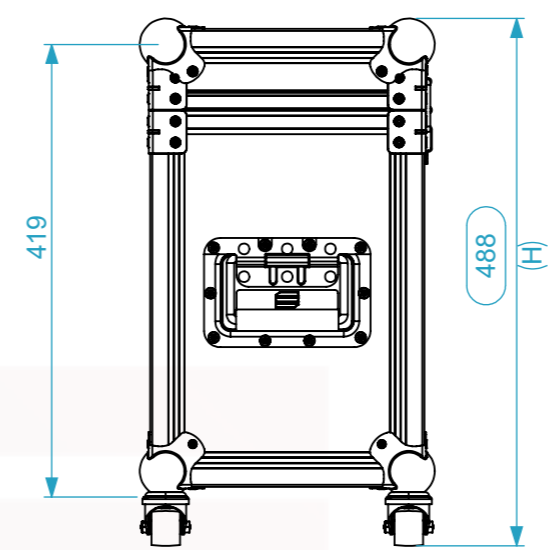
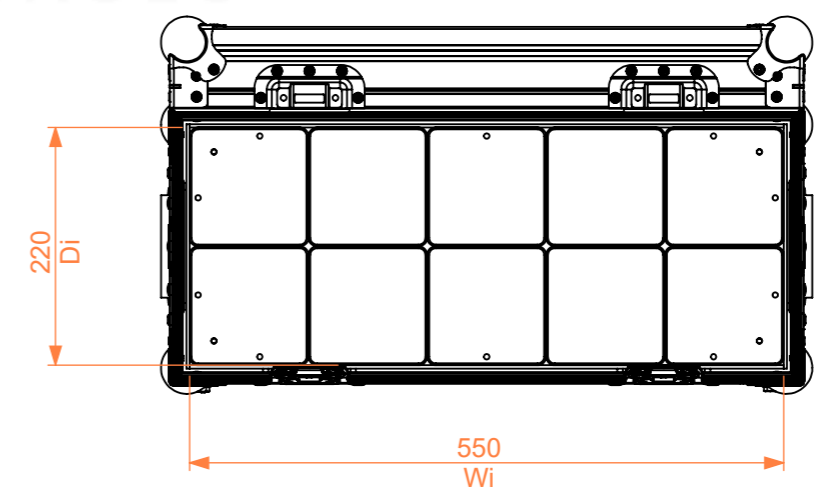


Equipment			SHORT TRIPOD MICROPHONE STANDS		
Width	Depth	Height			
104	104	650			
Weight	Approx. Kg				
Internal Dimensions					
Width	Depth	Height			
600	270	440			
FC Weight	Approx. 12 Kg				
Wall Thickness		10mm			



Carpet Lining

PVC Rectangular Pipes



General External Dimensions	
W	Width
D	Depth
H	Height
Usable Inner Dimensions	
Wi	Inside Width
Di	Inside Depth
Hi	Inside Height

Name	Date	
Drawn by	guilherme.santos	08/05/2026
Reference	ST1.0602744.10S	
Scale	units in mm	general tolerance
1:7	DO NOT SCALE	0.8mm
Flight case PRO, 10x Mic Stand short version Ø105x650		



This drawing must not be copied or disclosed without consent of the owner



A3