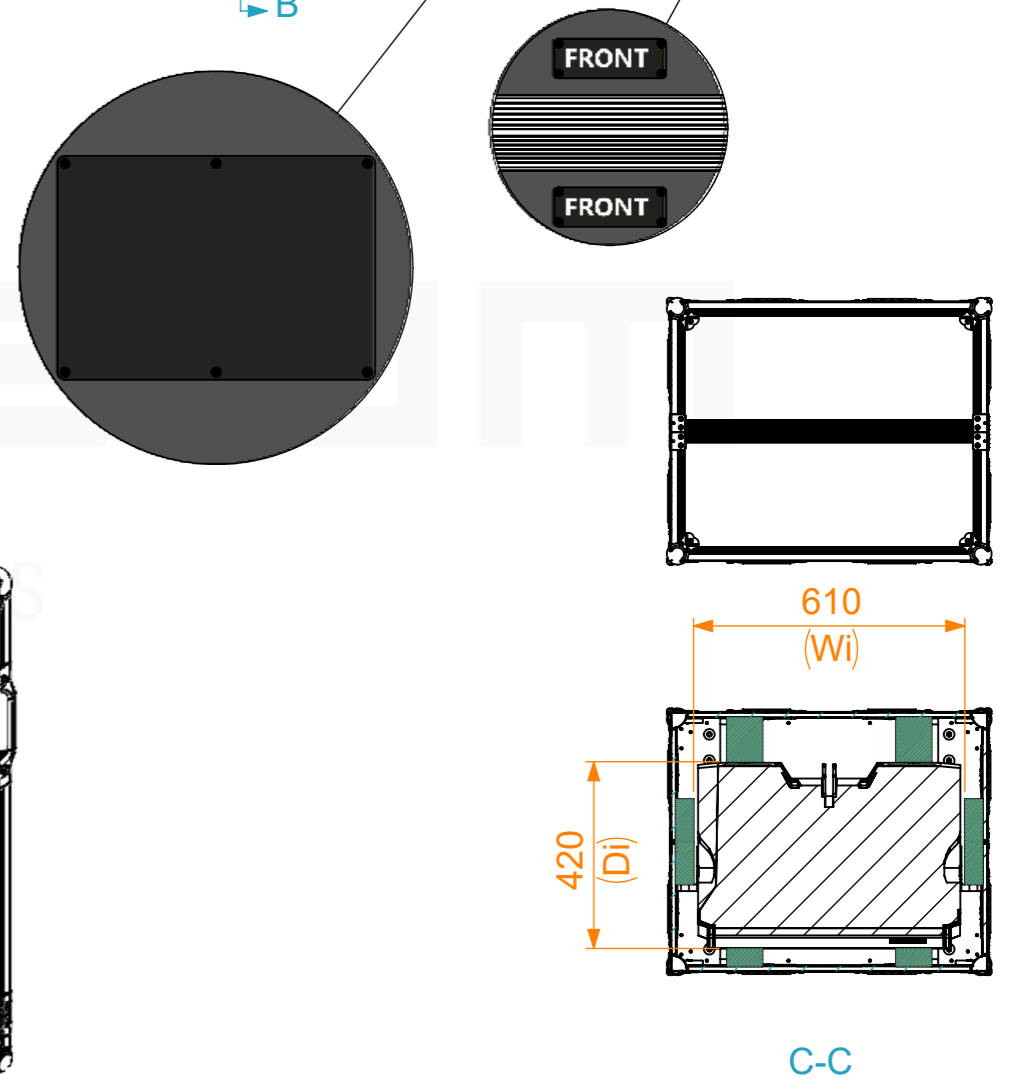
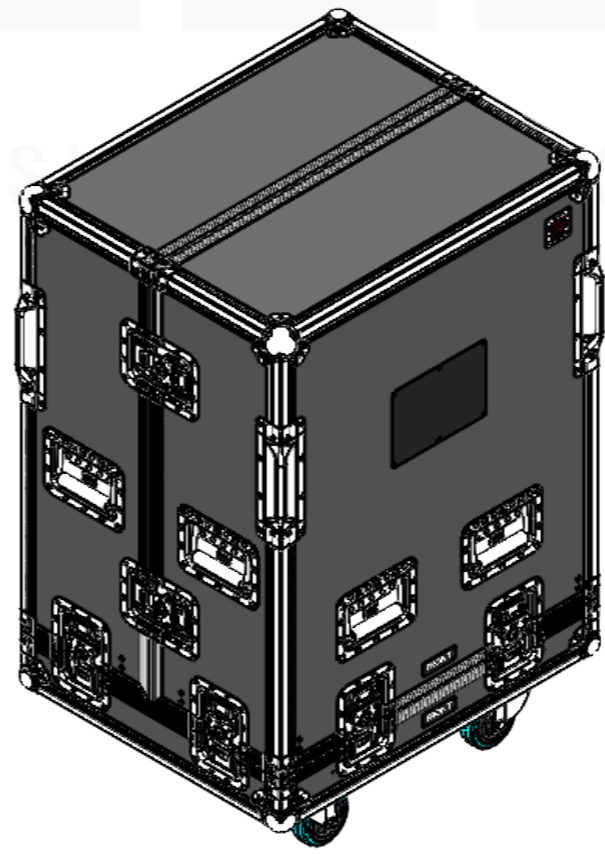
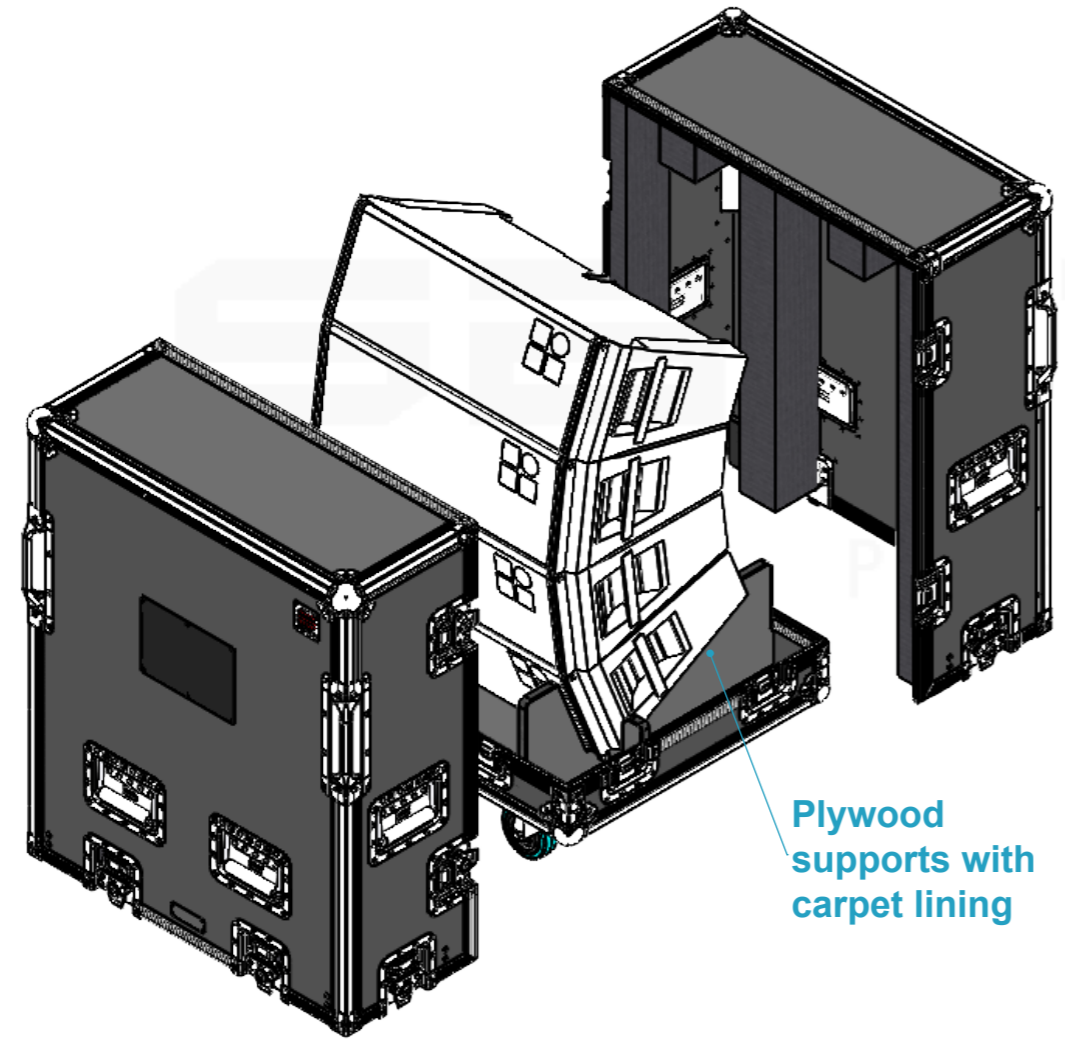
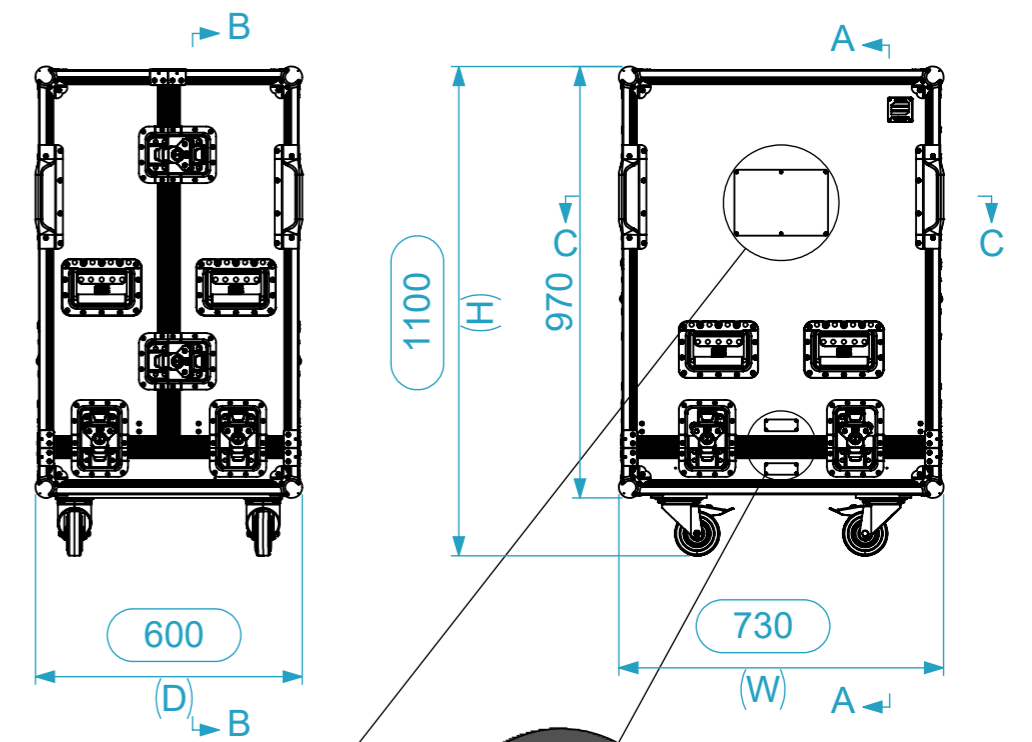
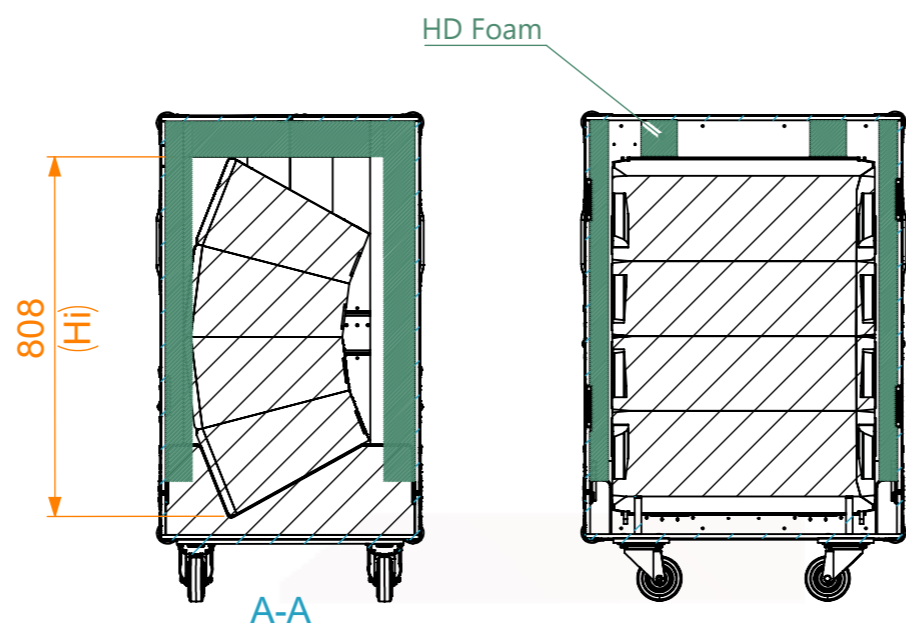
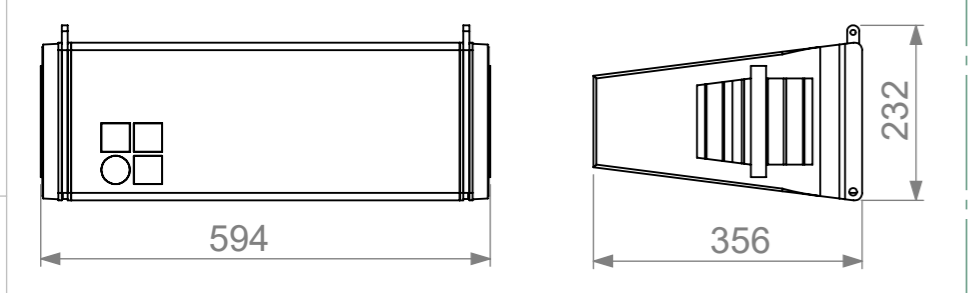


<b>Equipment</b>	D&B CCL8/ 12	
<b>Width</b>	<b>Depth</b>	<b>Height</b>
594	356	232
<b>Weight</b>	Approx. 17.6 Kg	
<b>Internal Dimensions</b>		
<b>Width</b>	<b>Depth</b>	<b>Height</b>
610	420	808
<b>FC Weight</b>	Approx. 41.82 Kg	
<b>Wall Thickness</b>	10mm	



<b>General External Dimensions</b>	
W	Width
D	Depth
H	Height
<b>Usable Inner Dimensions</b>	
Wi	Inside Width
Di	Inside Depth
Hi	Inside Height

This drawing must not be copied or disclosed without consent of the owner

Drawn by	Name	Date
tiago.pais	tiago.pais	15/05/2026
Reference	SP3.DBACCL.04	
Scale	units in mm	general tolerance
1:17	DO NOT SCALE	0.8mm
1st Angle projection	Flight case PRO-3, 4x D&B CCL8/ 12	



A3