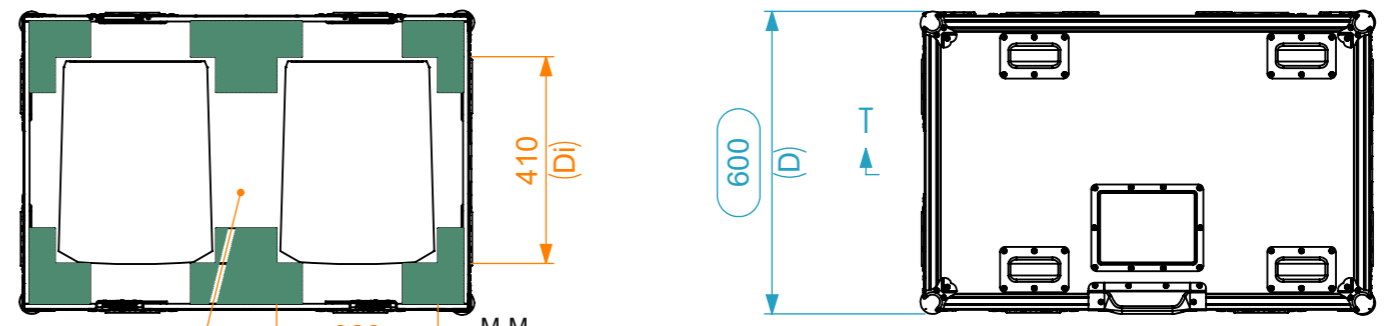
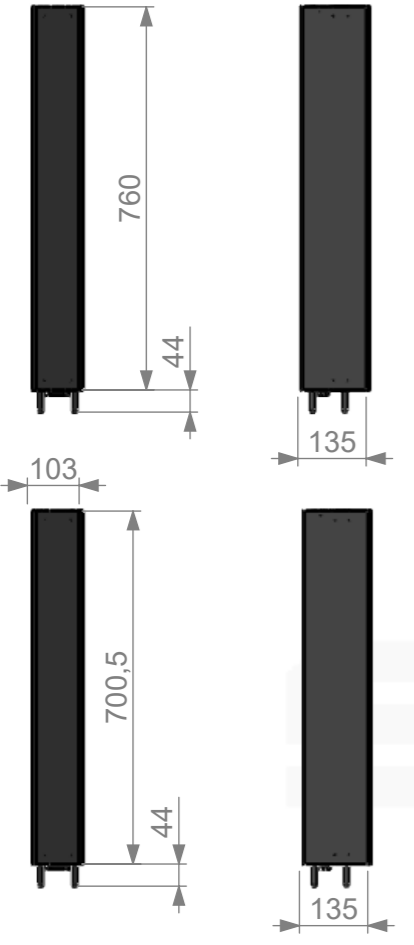
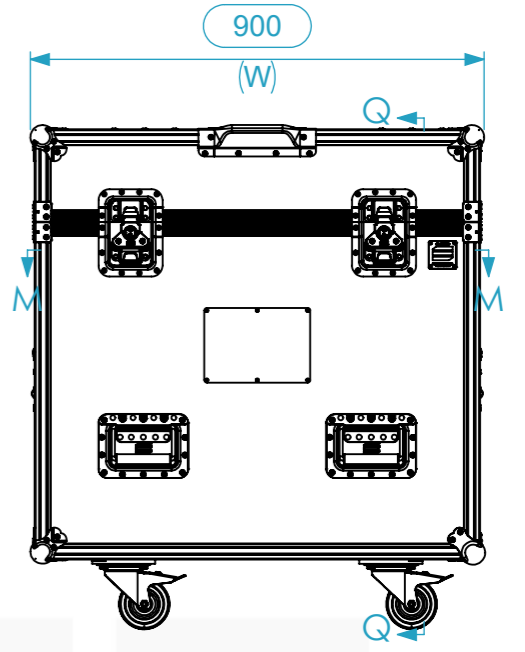
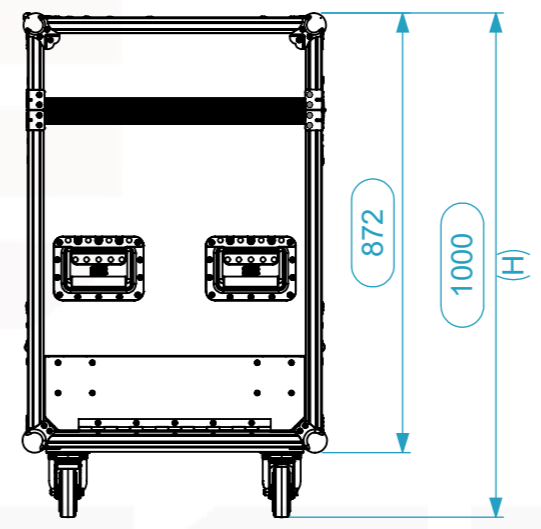
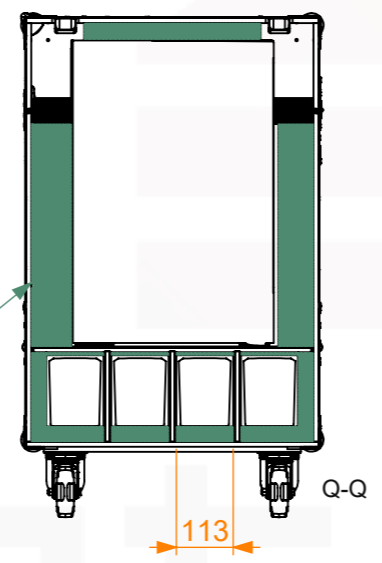


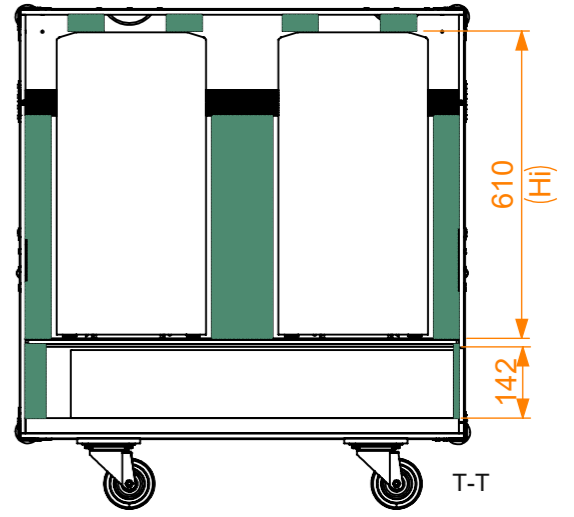
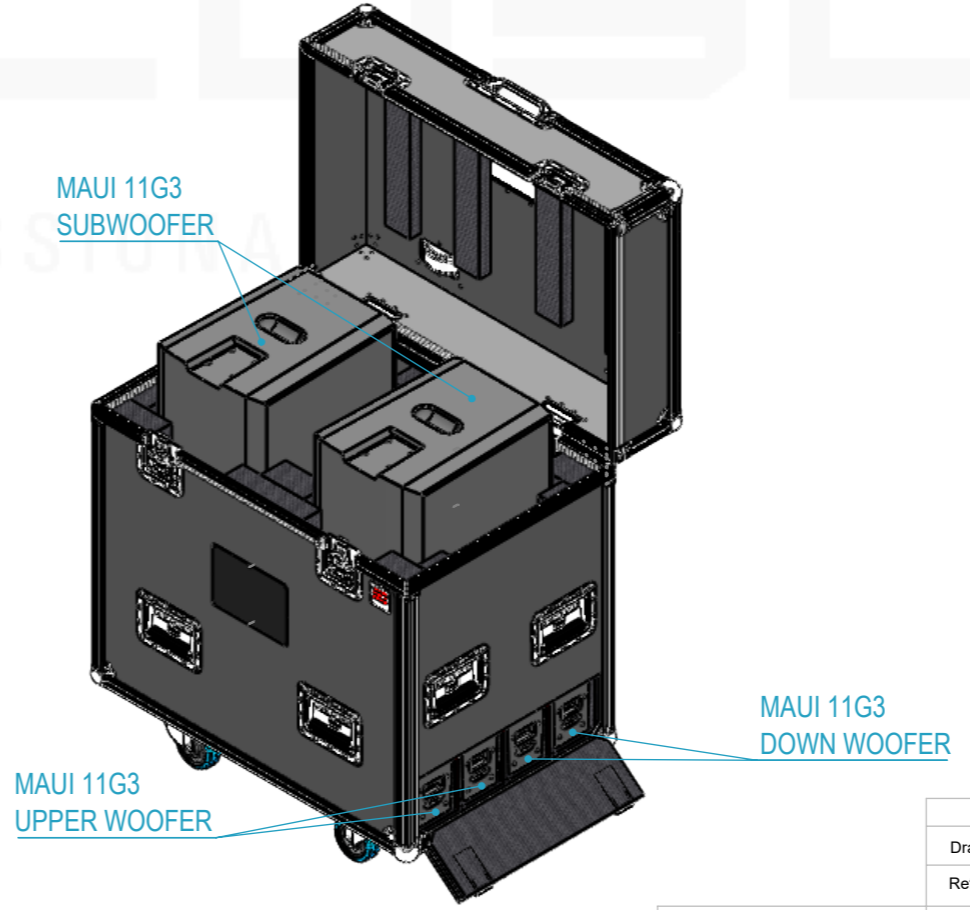
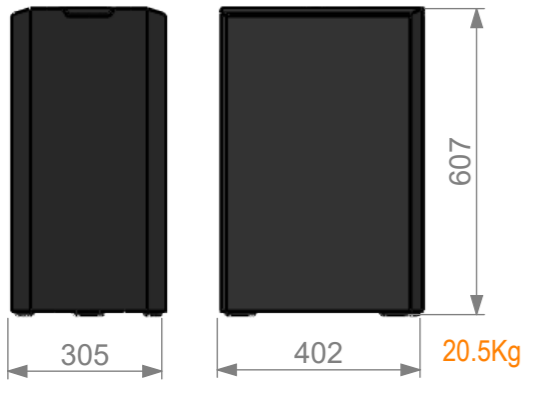
Equipment			LD Systems Maui 11 G3		
Width	Depth	Height			
402	305	607			
Weight	Approx. 30.7 Kg				
Internal Dimensions					
Width	Depth	Height			
320	410	610			
Weight	Approx. 51.74 Kg				
Wall Thickness		10mm			



Space for accessories



UPPER COLUMN + DOWN COLUMN = 10.2Kg



General External Dimensions		Usable Inner Dimensions	
W	Width	Wi	Inside Width
D	Depth	Di	Inside Depth
H	Height	Hi	Inside Height

This drawing must not be copied or disclosed without consent of the owner

Drawn by	projects	Date	16/12/2024
Reference	SP2M.LDSMAUI113.06		
Scale	1:10	units in mm	general tolerance 0.8mm
1st Angle projection		Flight case PRO 2x MAUI 11 G3	

