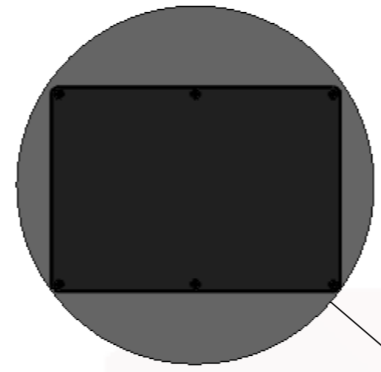
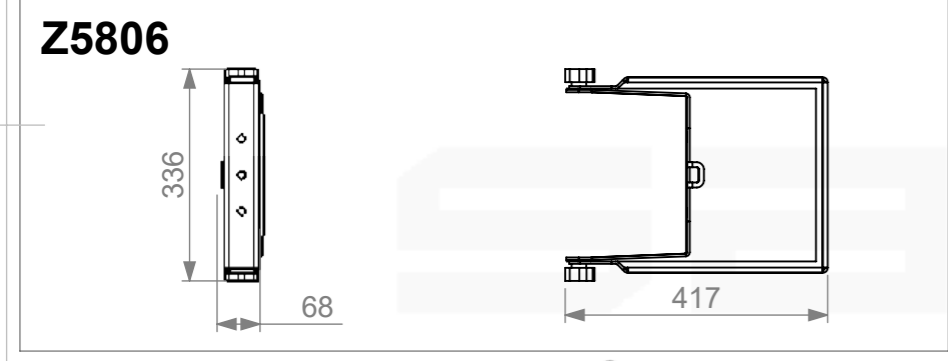
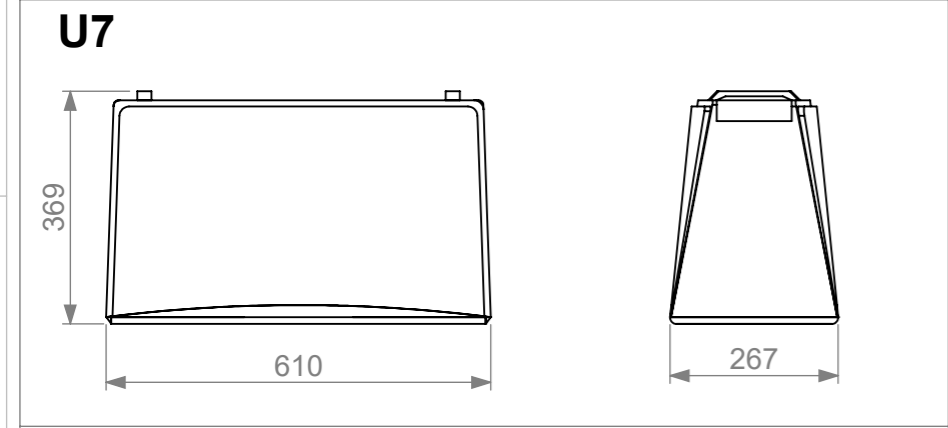
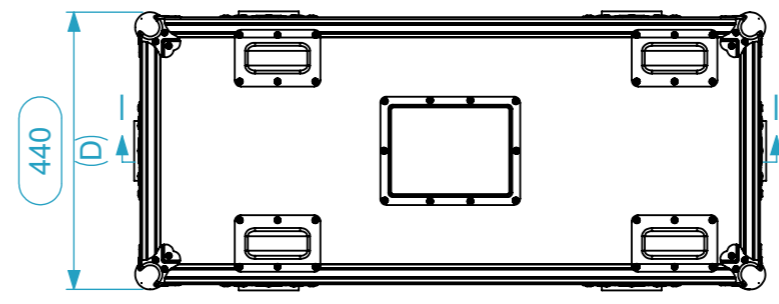
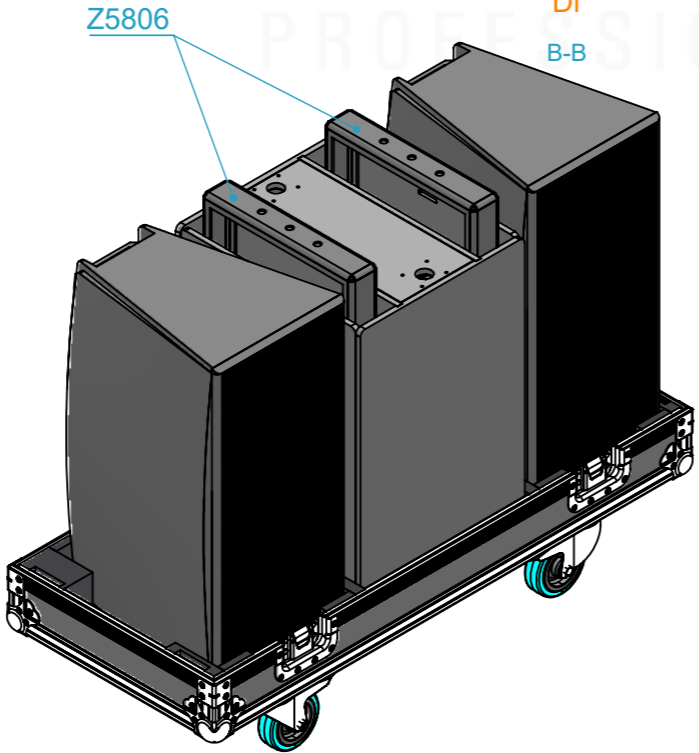
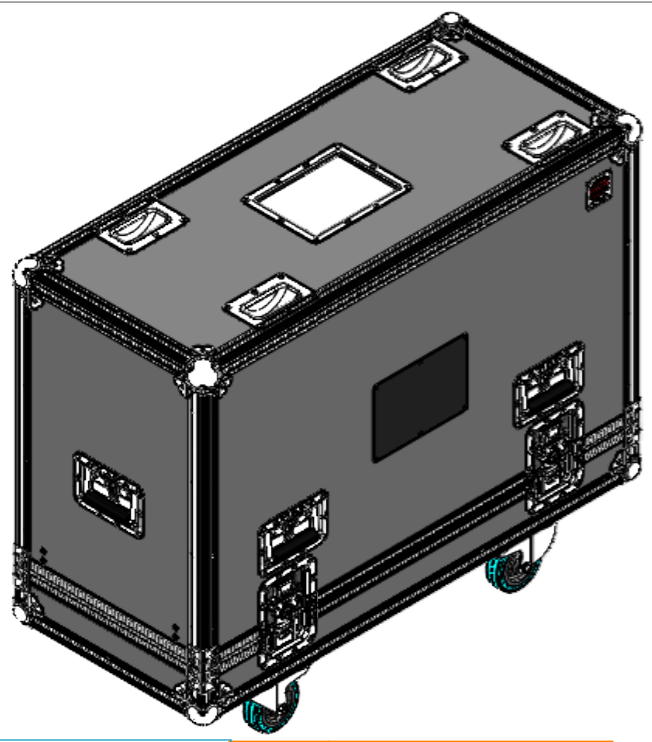
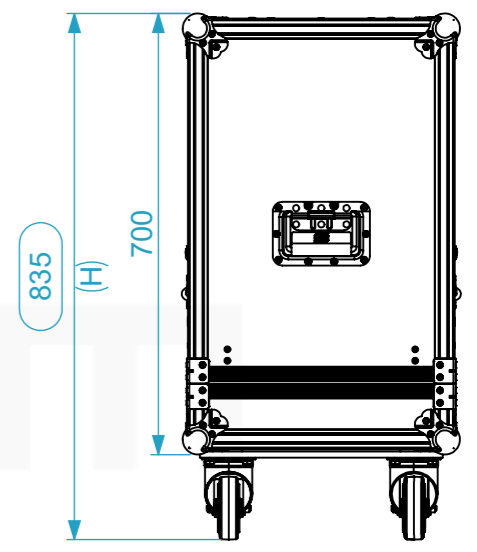
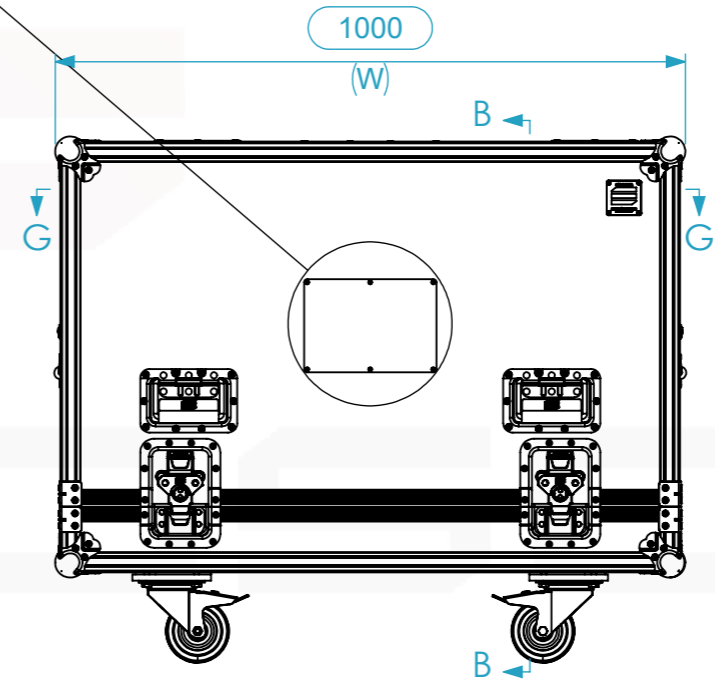
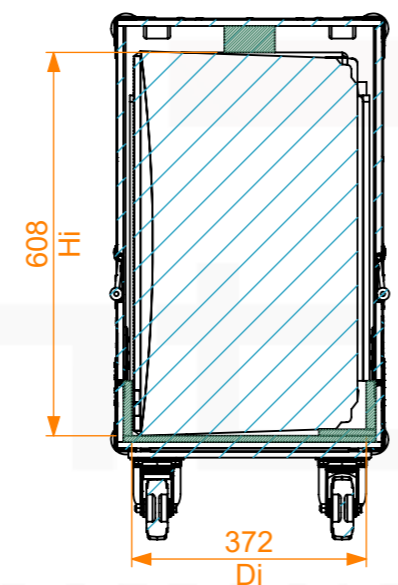
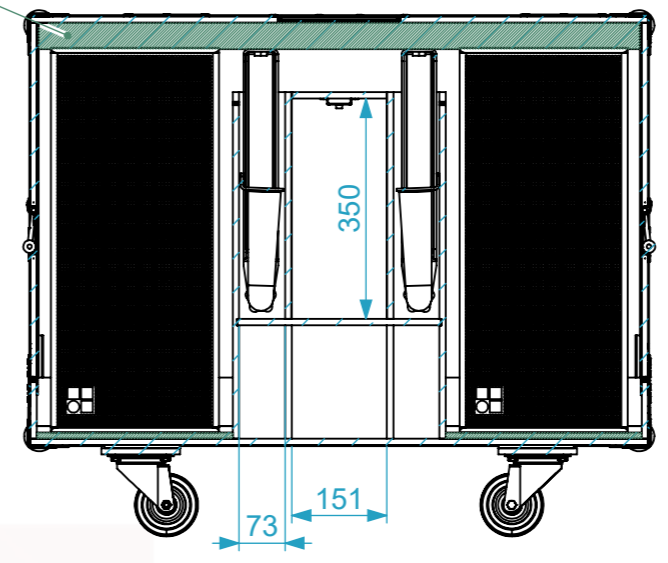


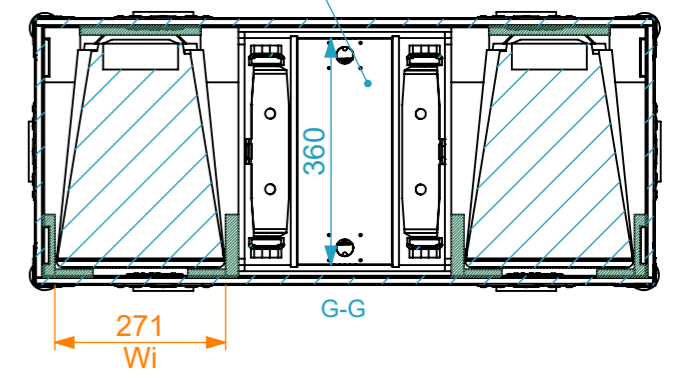
Equipment		D&B U7	
Width	Depth	Height	
355	268	611	
Weight	Approx. 19.2Kg		
Internal Dimensions			
Width	Depth	Height	
271	372	608	
Weight	Approx. 45 Kg		
Wall Thickness		10mm	



HD Foam



Space for accessories



General External Dimensions		Usable Inner Dimensions	
W	Width	Wi	Inside Width
D	Depth	Di	Inside Depth
H	Height	Hi	Inside Height

A3

This drawing must not be copied or disclosed without consent of the owner



Scale 1:12  
units in mm  
DO NOT SCALE  
general tolerance 0.8mm

Name Date  
rita.monteiro 15/06/2026

Reference SP2A.DBAU7.02

Flight case PRO, 2x D&B U7 + access.  
2x bracket Z5806.000

