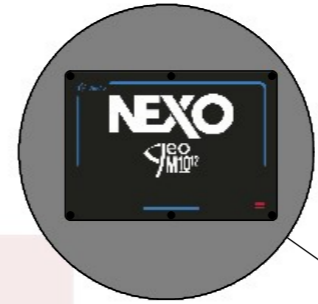
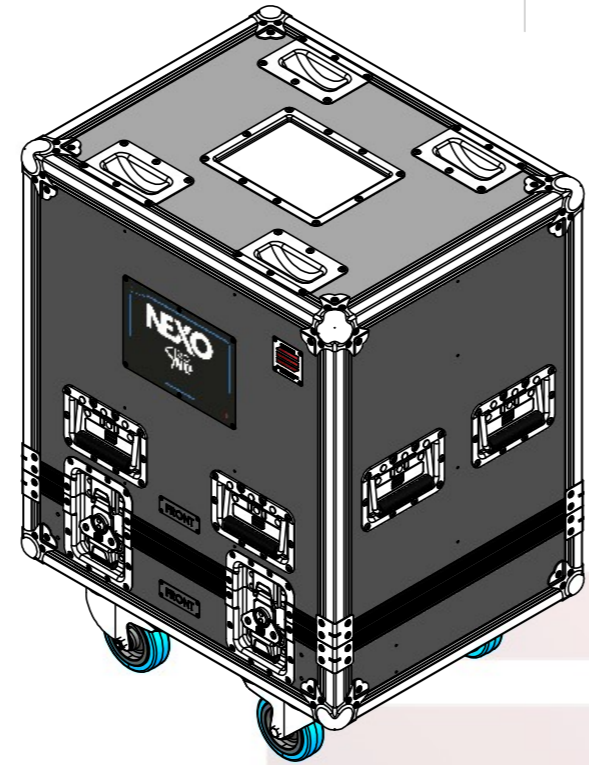
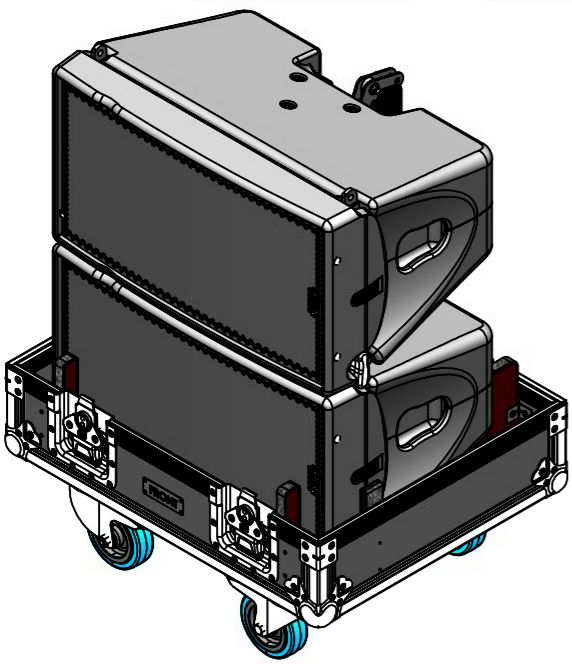
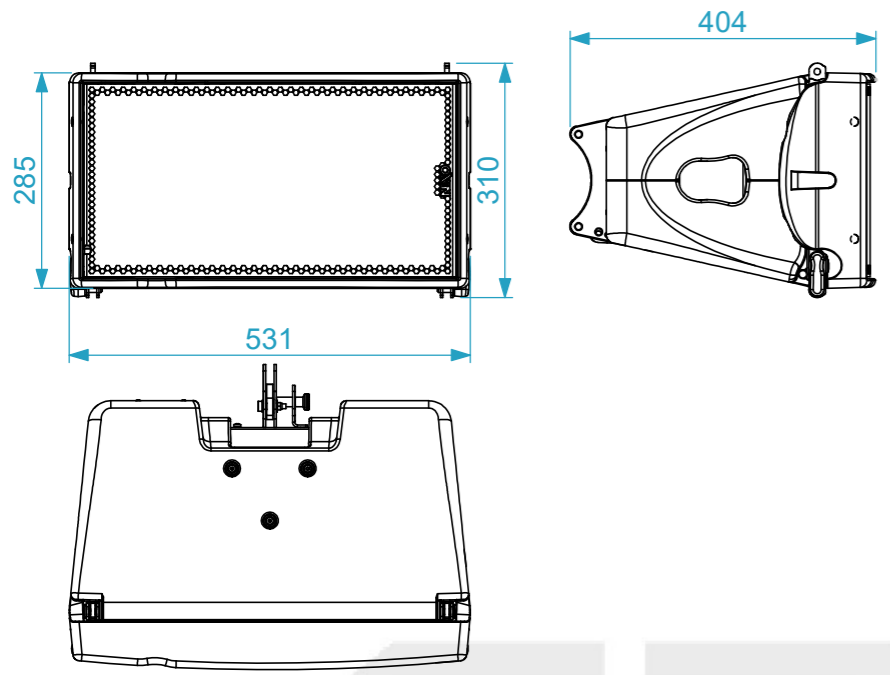
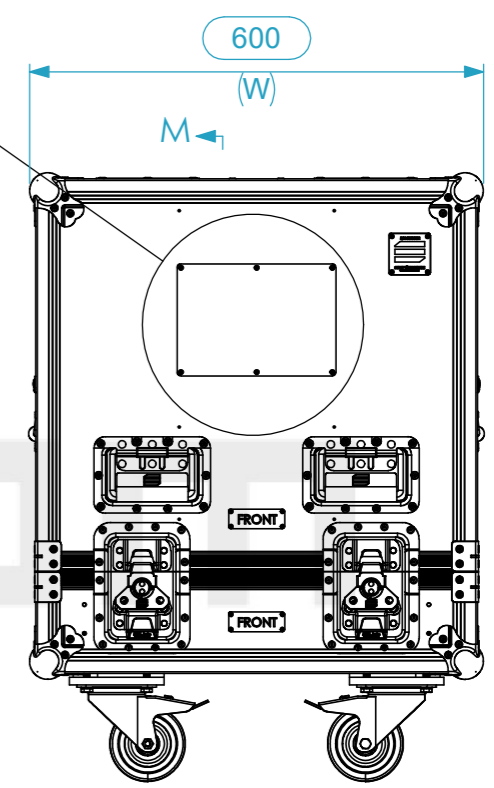
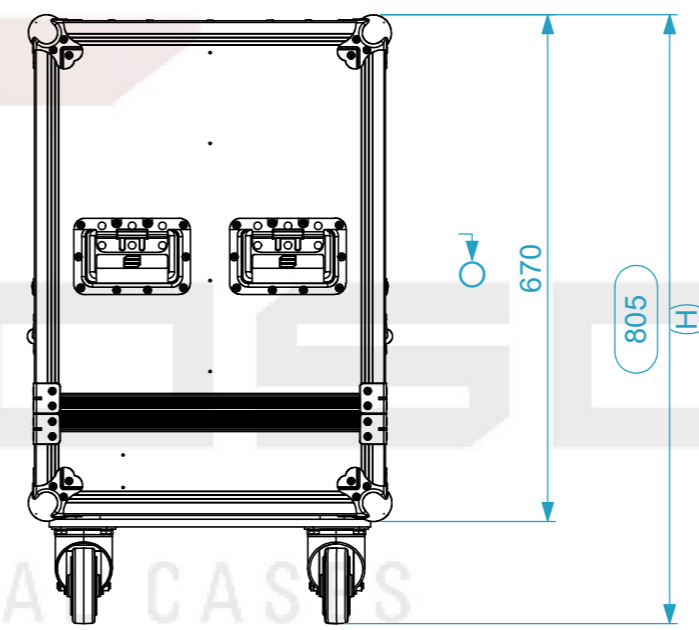
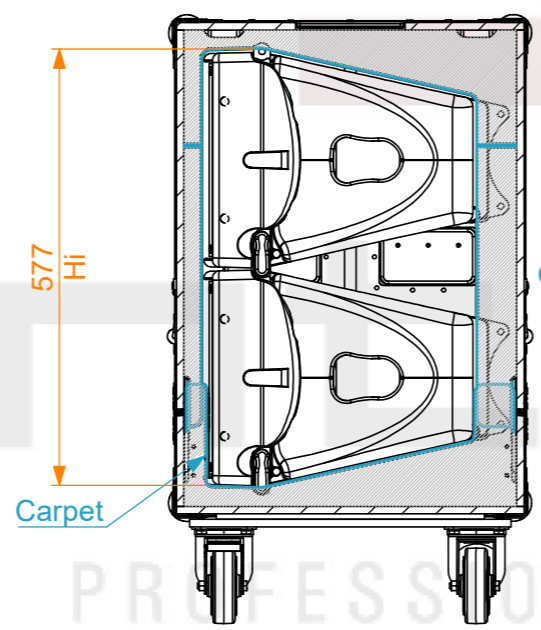
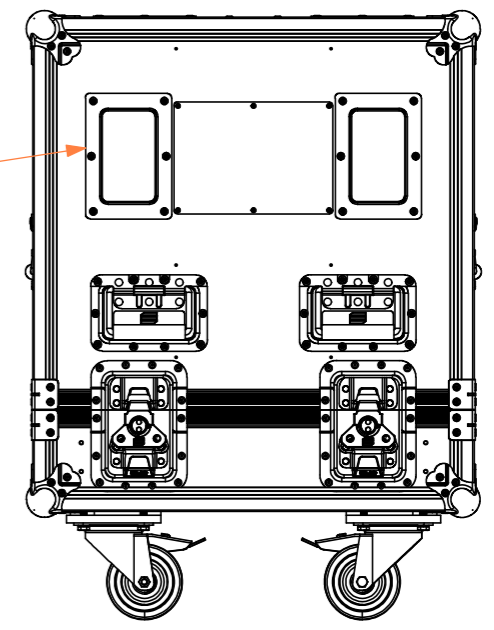


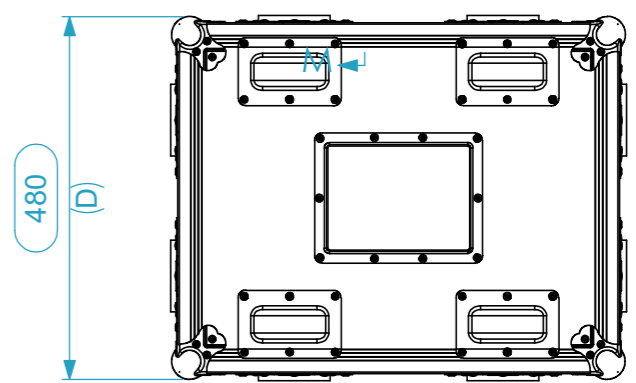
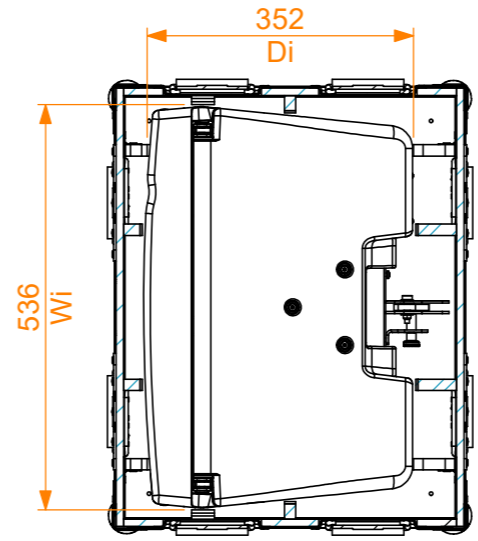
Equipment			NEXO GEO M1012		
Width	Depth	Height			
531	404	310			
Weight	Approx. 21 Kg				
Internal Dimensions					
Width	Depth	Height			
536	352	577			
Weight	Approx. 29.32 Kg				



Acrylic panel



M-M



O-O

General External Dimensions		Usable Inner Dimensions		Wood Inner Dimensions	
W	Width	Wi	Inside Width	WWi	Wood Inside Width
D	Depth	Di	Inside Depth	WDi	Wood Inside Depth
H	Height	Hi	Inside Height	WHi	Wood Inside Height

This drawing must not be copied or disclosed without consent of the owner

Name	Date	
Drawn by	jose.couto	14/09/2023
Reference	SP22.NEXM1012.02	
Scale	units in mm	general tolerance
1:10	DO NOT SCALE	0.8mm
Flight case . 2x NEXO GEO M1012		



A3

