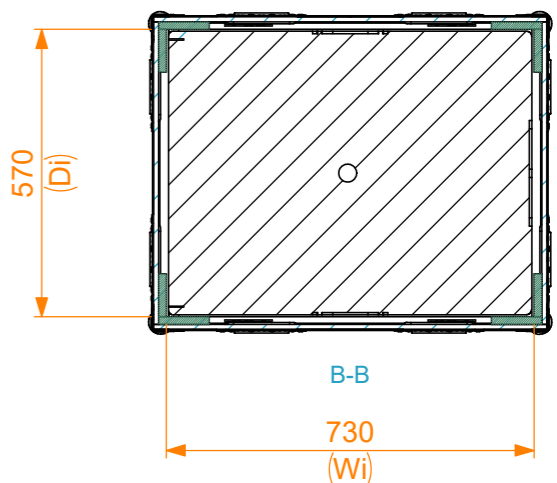
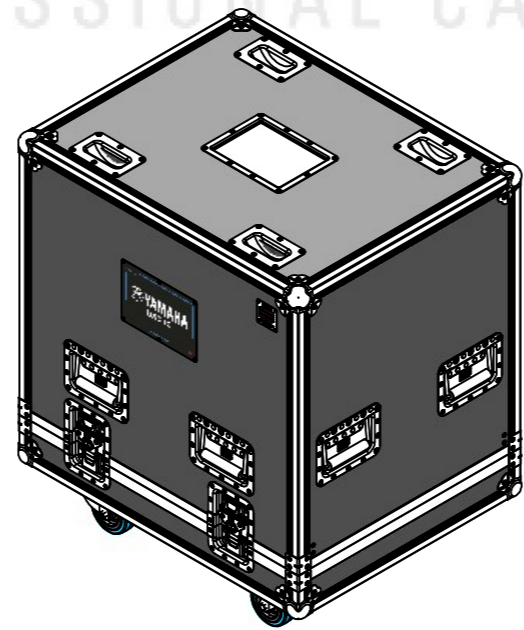
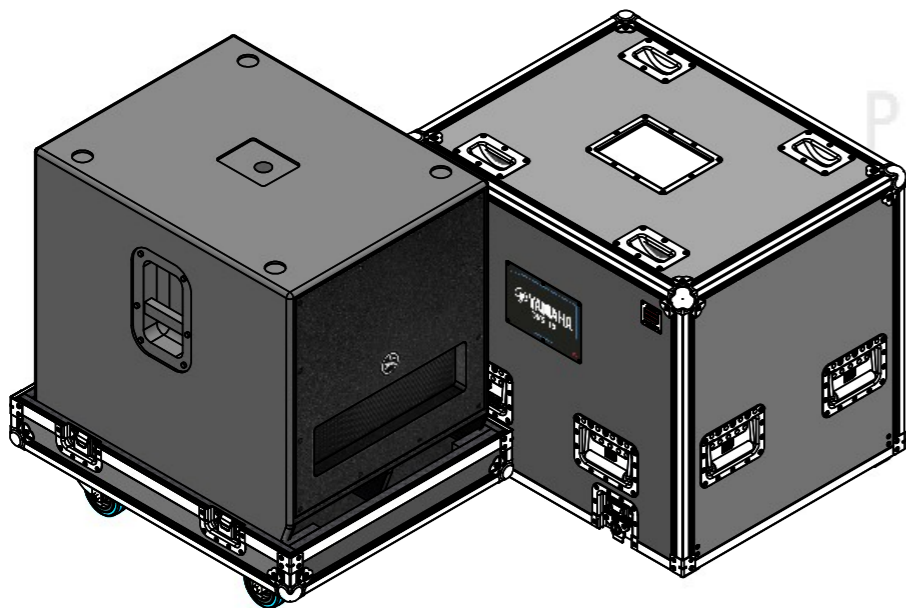
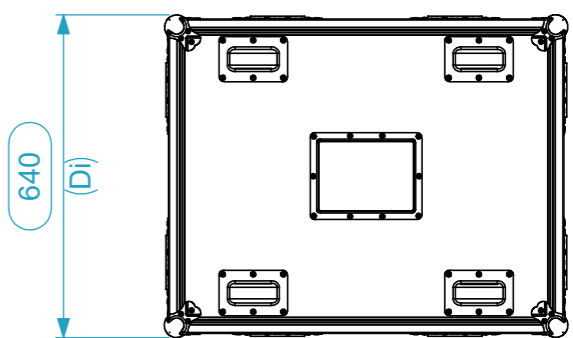
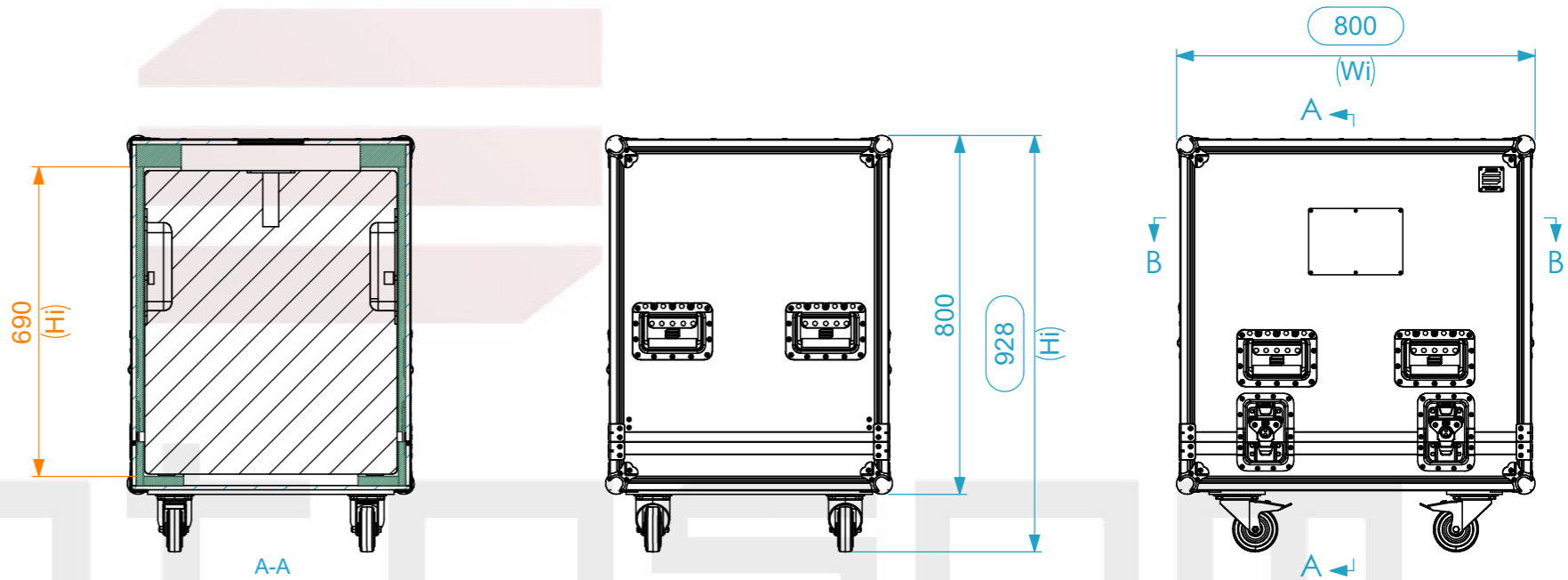
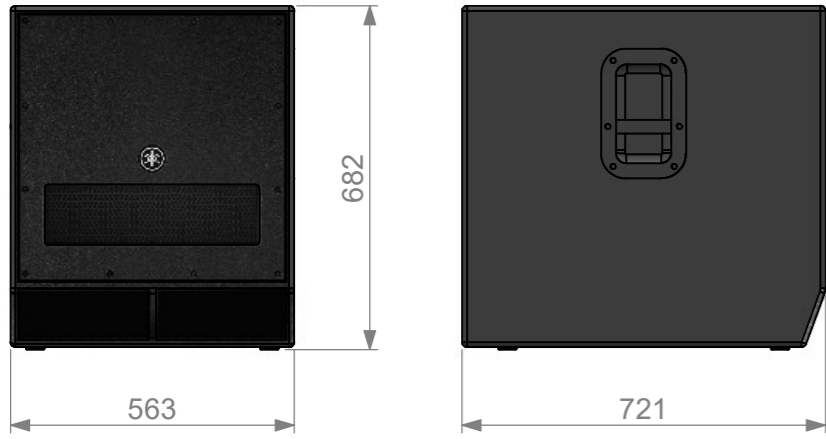


Equipment	Yamaha DXS 18	
Width	Depth	Height
563	721	683
Weight	Approx. 49.7 Kg	
Internal Dimensions		
Width	Depth	Height
730	570	690
Weight	Approx. 41.00 Kg	
Wall Thickness		10mm



General External Dimensions		Usable Inner Dimensions	
W	Width	Wi	Inside Width
D	Depth	Di	Inside Depth
H	Height	Hi	Inside Height

A3 This drawing must not be copied or disclosed without consent of the owner

Drawn by	projects	Date	05/12/2023
Reference	SP2.YAMDXS18		
Scale	1:15	units in mm	general tolerance 0.8mm
		DO NOT SCALE	
1st Angle projection	Flight Case, Yamaha DXS 18		

