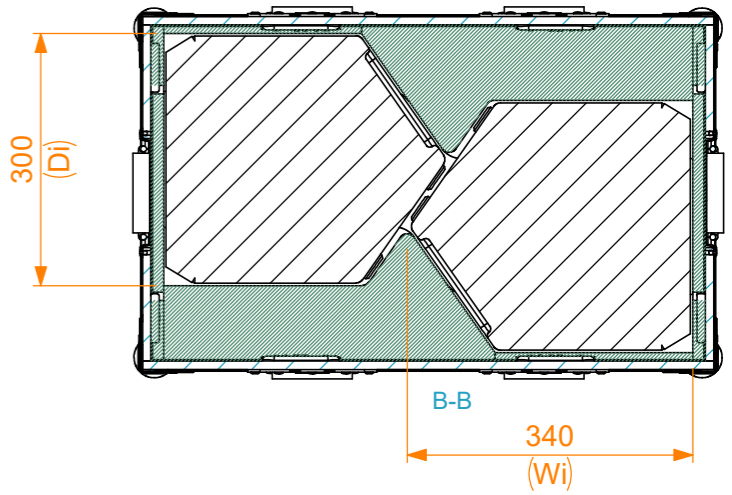
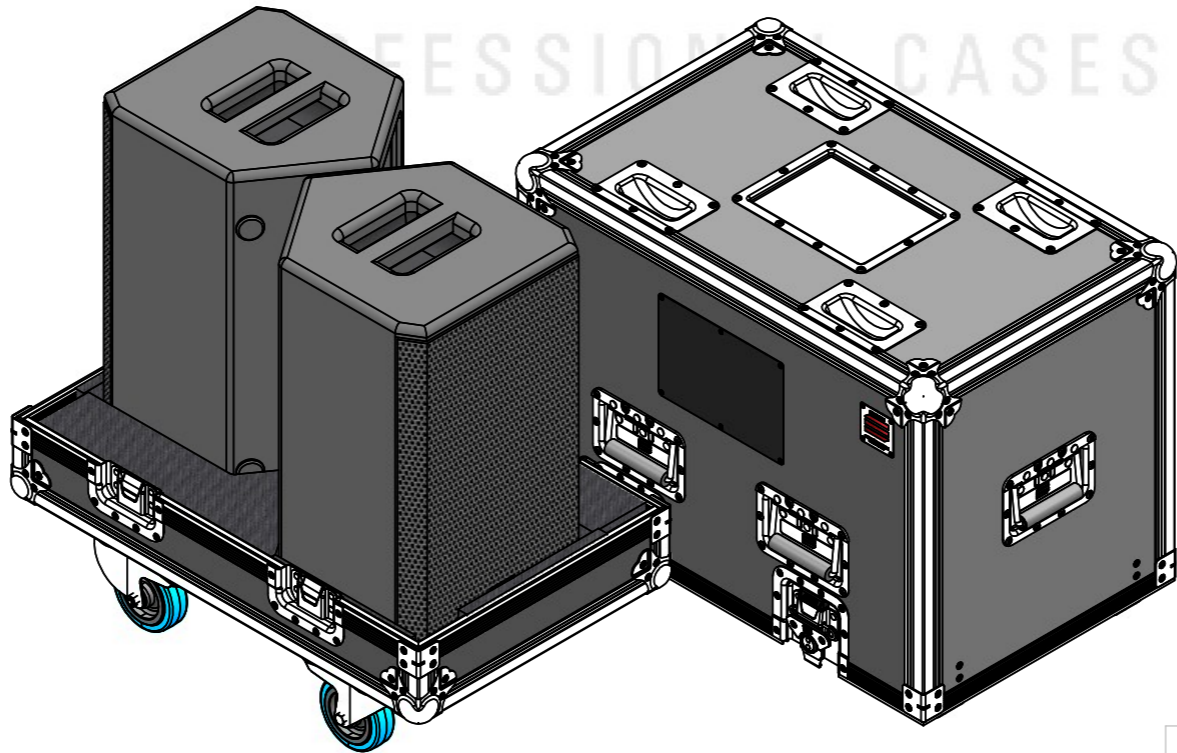
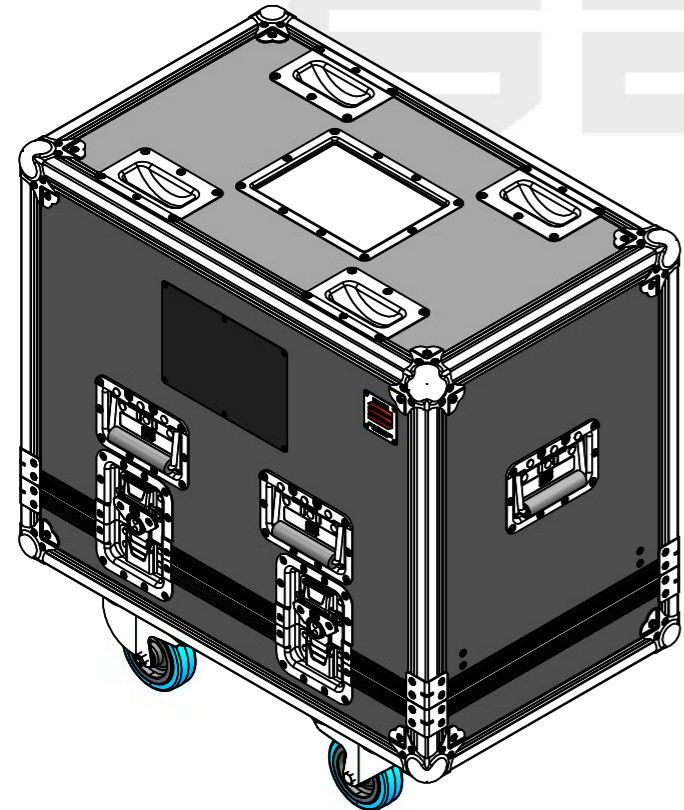
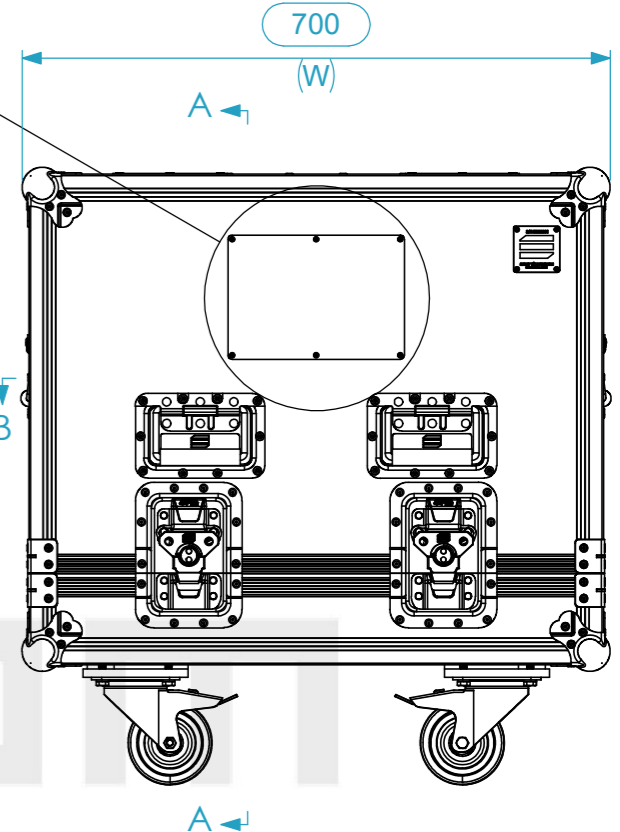
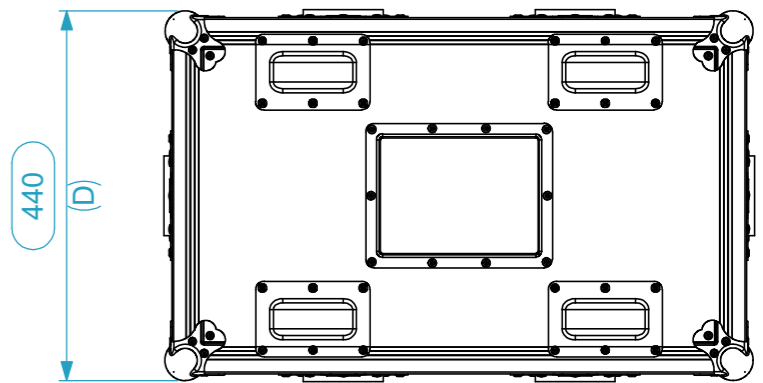
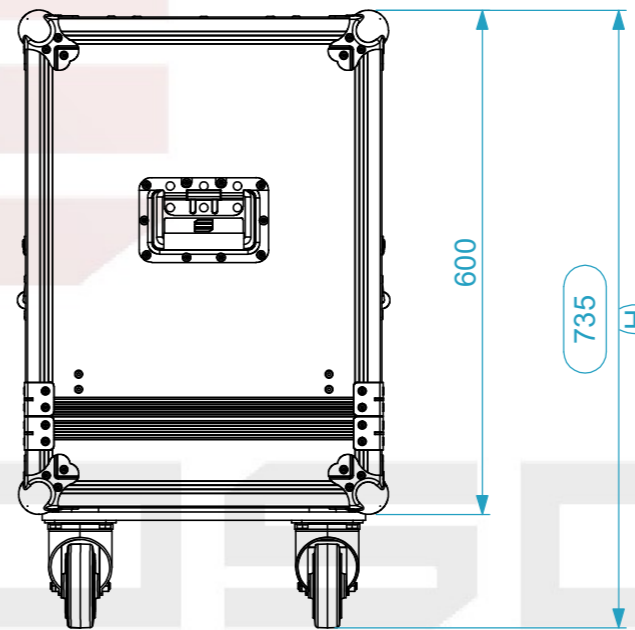
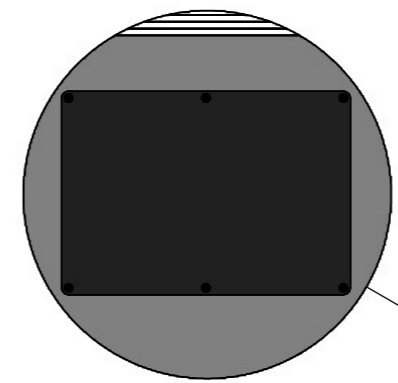
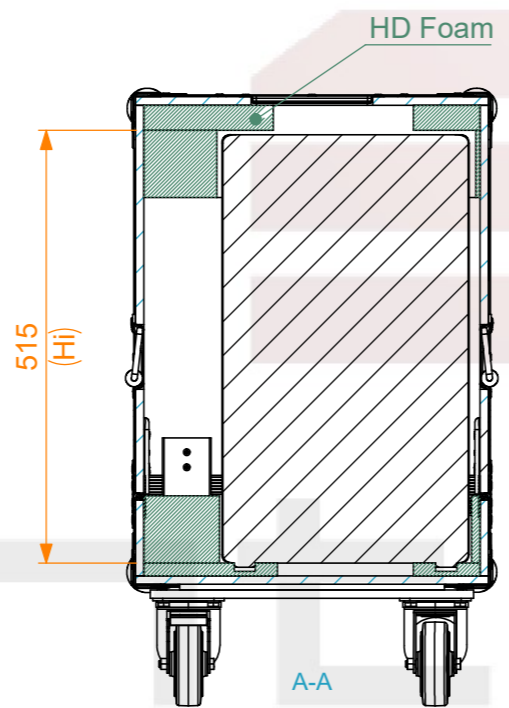
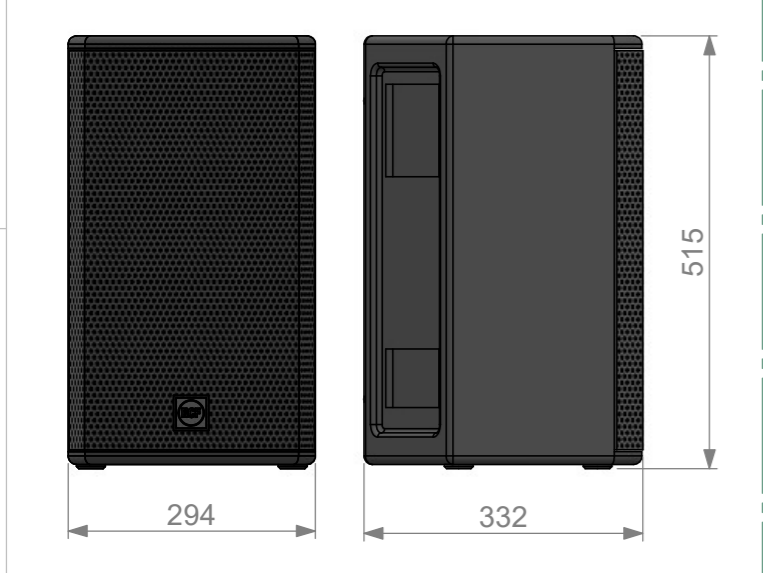


Equipment		RCF NX 910-A	
Width	Depth	Height	
294	332	515	
Weight	Approx. 16.4 Kg		
Internal Dimensions			
Width	Depth	Height	
340	300	515	
Weight	Approx. 27.01 Kg		
Wall Thickness		10mm	



General External Dimensions		Usable Inner Dimensions	
W	Width	Wi	Inside Width
D	Depth	Di	Inside Depth
H	Height	Hi	Inside Height

A3 This drawing must not be copied or disclosed without consent of the owner

Name	Date
projects	02/09/2024
Reference	SP2.RCF910A.02
Scale	1:9
units in mm	general tolerance 0.8mm
DO NOT SCALE	
FC PRO, 2x RCF NX910-A	

