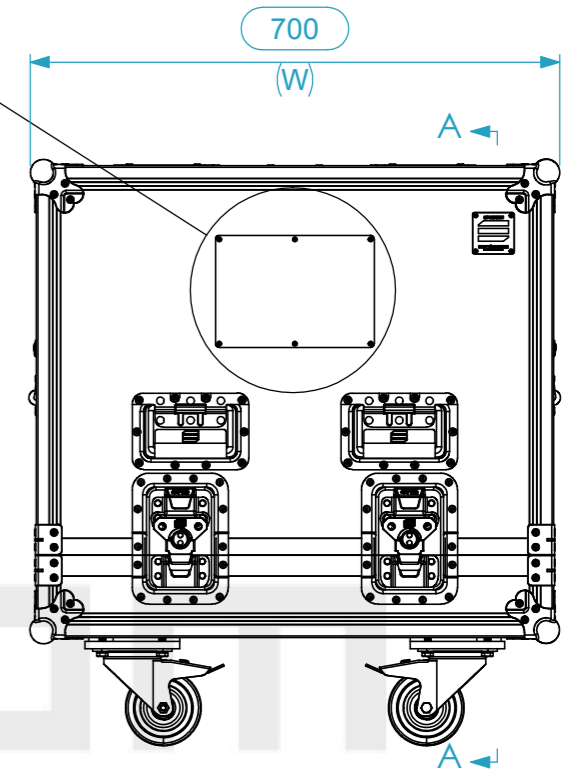
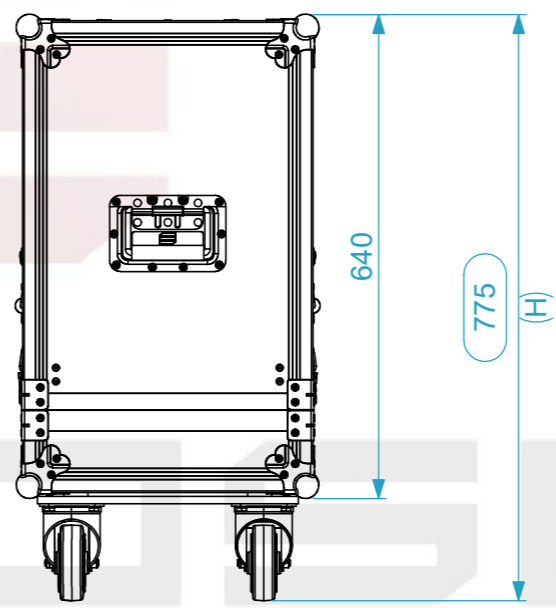
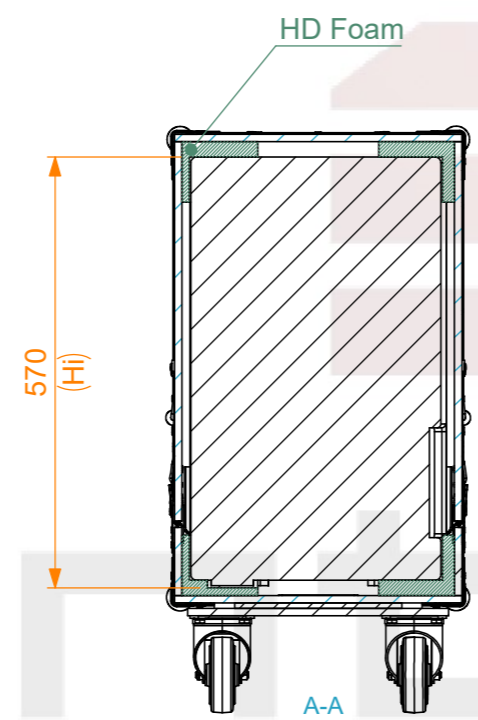
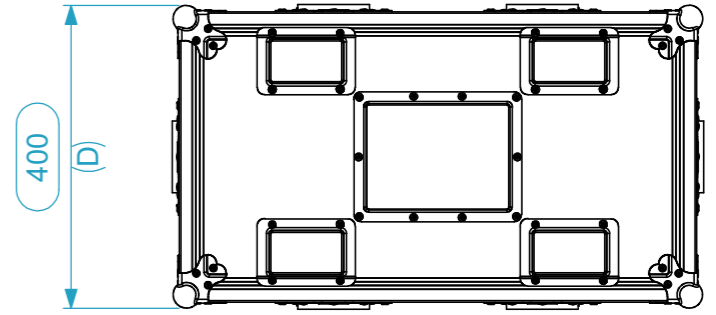
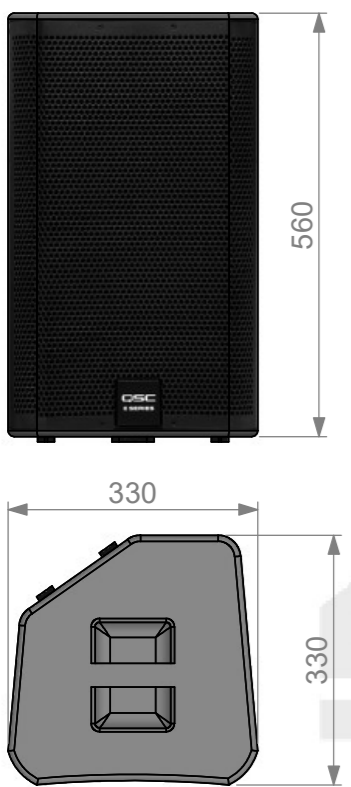
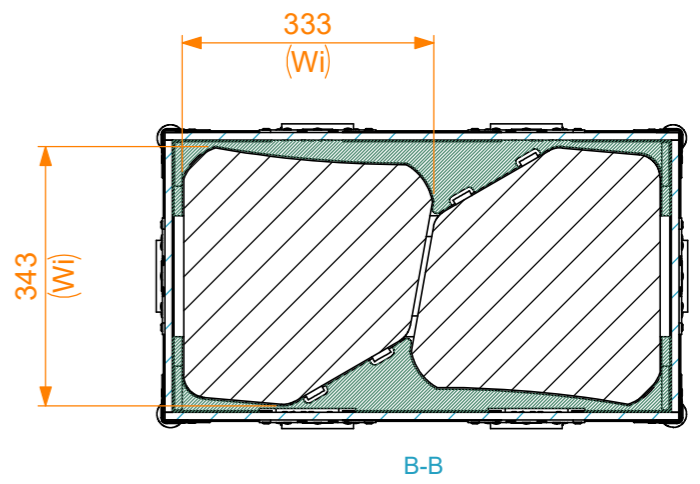
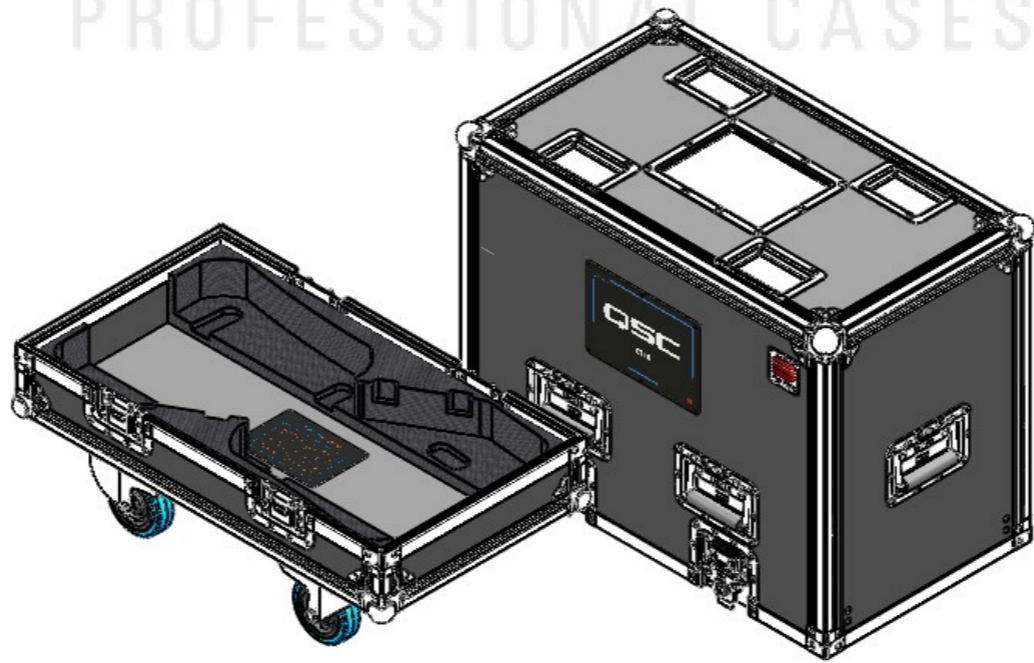
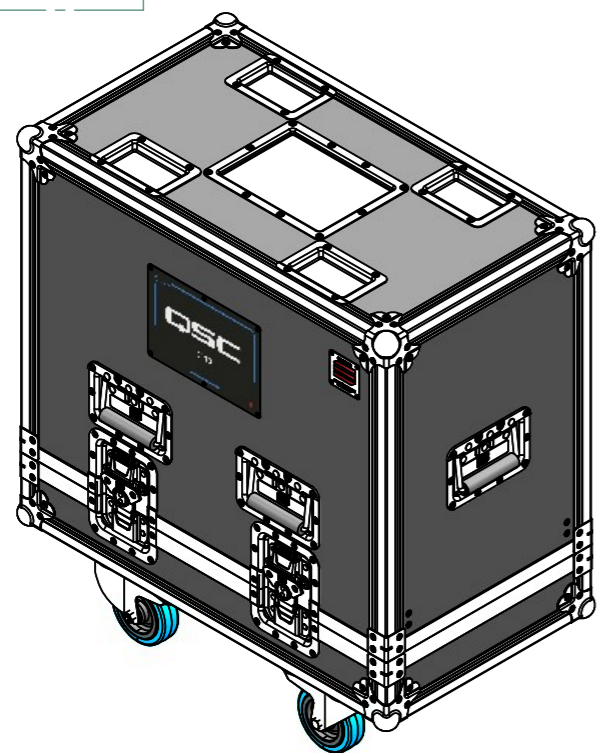


Equipment		QSC E110	
Width	Depth	Height	
330	330	560	
Weight	Approx. 20 Kg		
Internal Dimensions			
Width	Depth	Height	
333	343	570	
Weight	Approx. 25.98 Kg		
Wall Thickness		10mm	



PROFESSIONAL CASES



General External Dimensions		Usable Inner Dimensions	
W	Width	Wi	Inside Width
D	Depth	Di	Inside Depth
H	Height	Hi	Inside Height

Name	Date
Drawn by projects	21/12/2023
Reference	SP2.QSCE110.02
Scale	1:10
units in mm	general tolerance 0.8mm
DO NOT SCALE	
1st Angle projection	
Flight case, 2x QSC E110	



This drawing must not be copied or disclosed without consent of the owner

A3