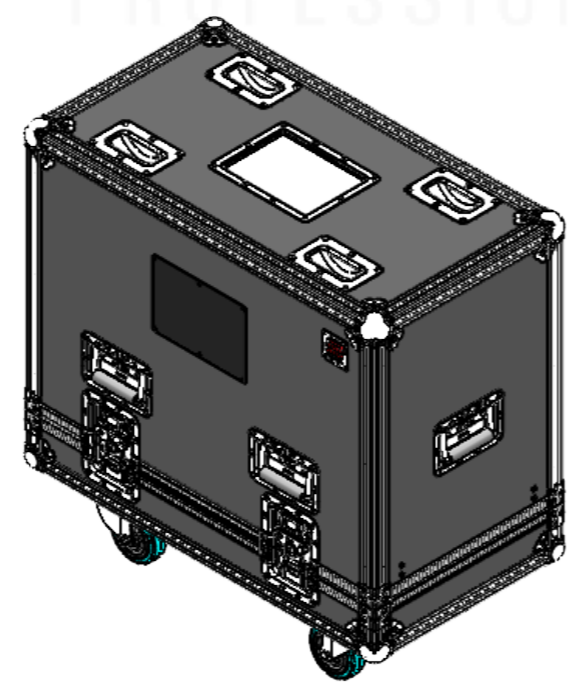
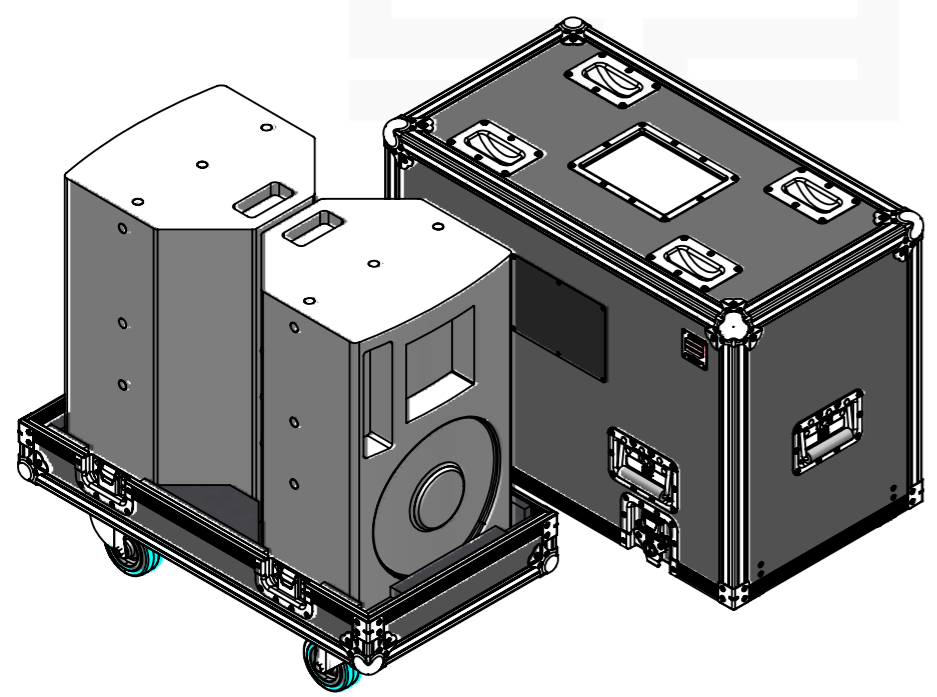
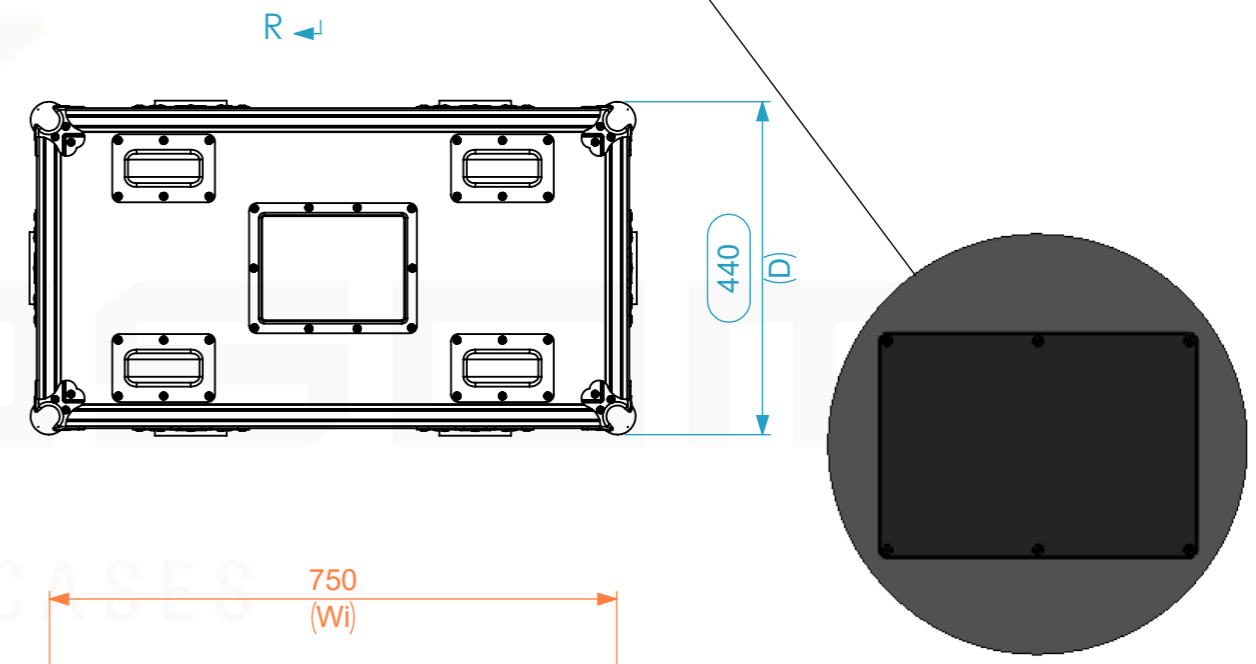
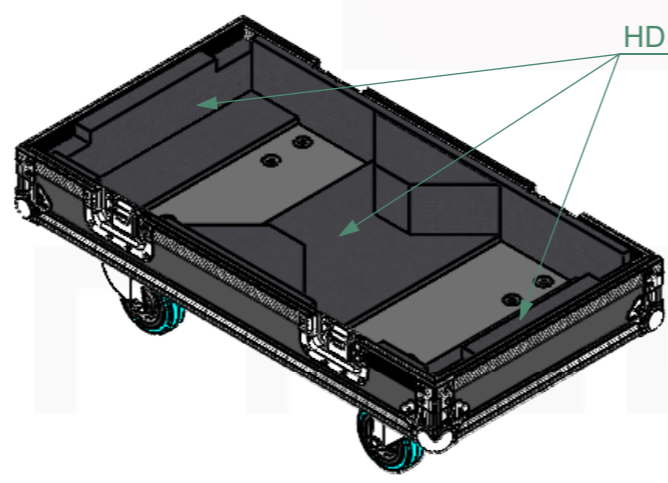
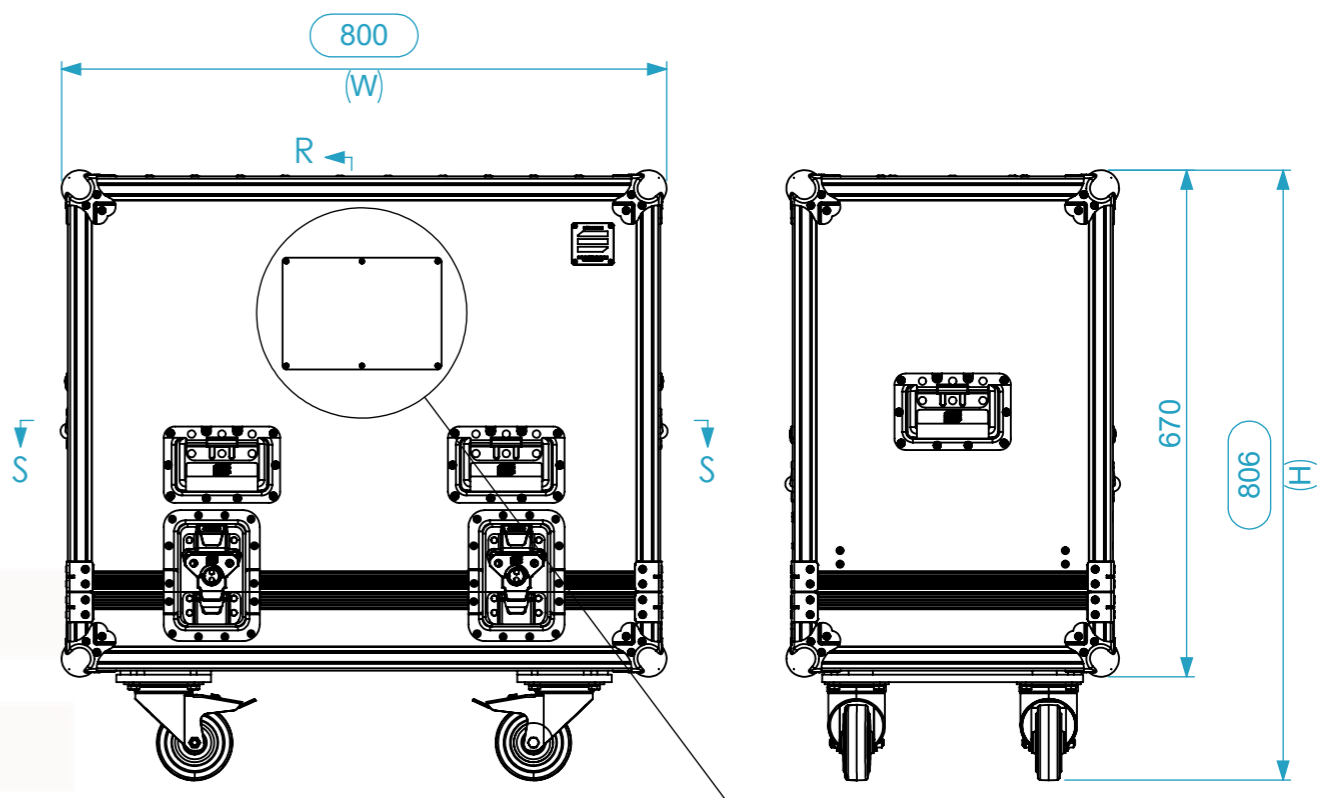
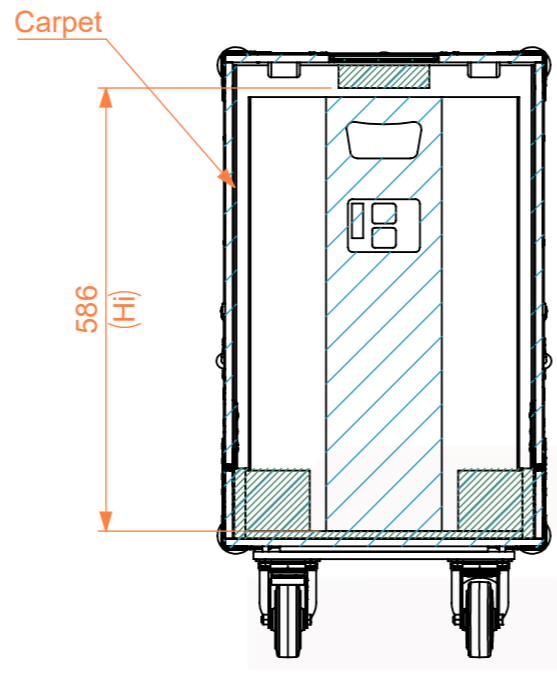
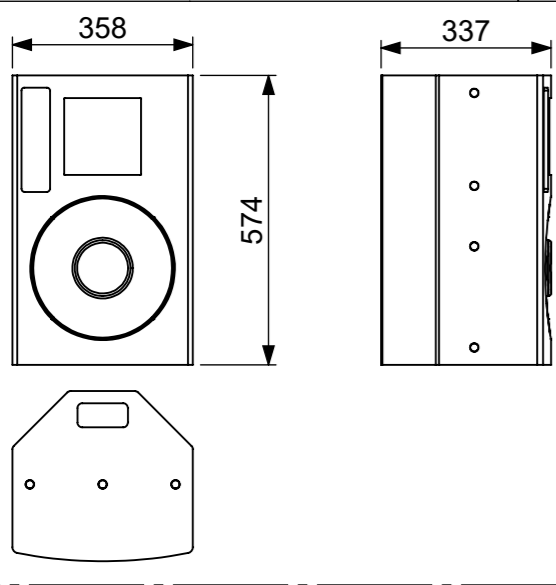


Equipment			Martin Audio X12		
Width	Depth	Height			
358	337	574			
Weight	Approx. 17 Kg				
Internal Dimensions					
Width	Depth	Height			
800	440	670			
FC Weight	Approx. 62.39 Kg				
Wall Thickness					10mm



General External Dimensions	
W	Width
D	Depth
H	Height
Usable Inner Dimensions	
Wi	Inside Width
Di	Inside Depth
Hi	Inside Height

Name	Date
Drawn by	guilherme.santos 18/05/2026
Reference	SP2.MTAX12.02
Scale	1:10
units in mm	general tolerance 0.8mm
DO NOT SCALE	
Flight case PRO 2x Martin Audio X12	



This drawing must not be copied or disclosed without consent of the owner



A3