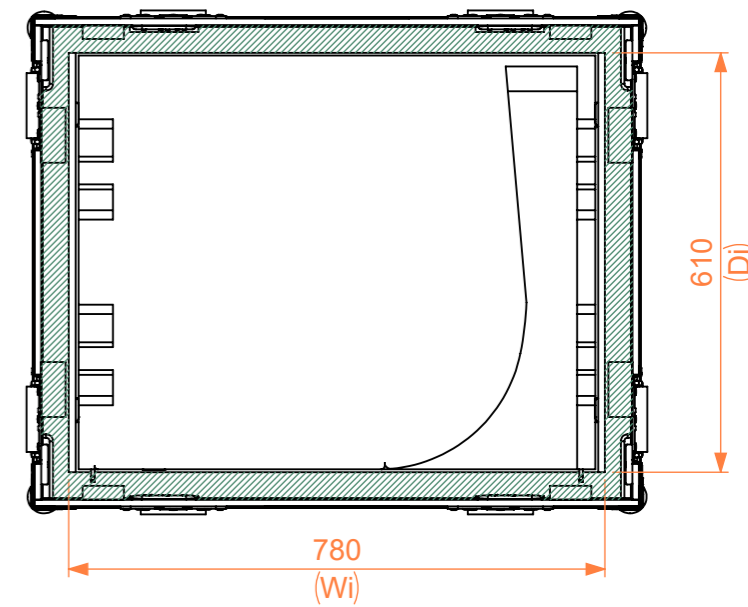
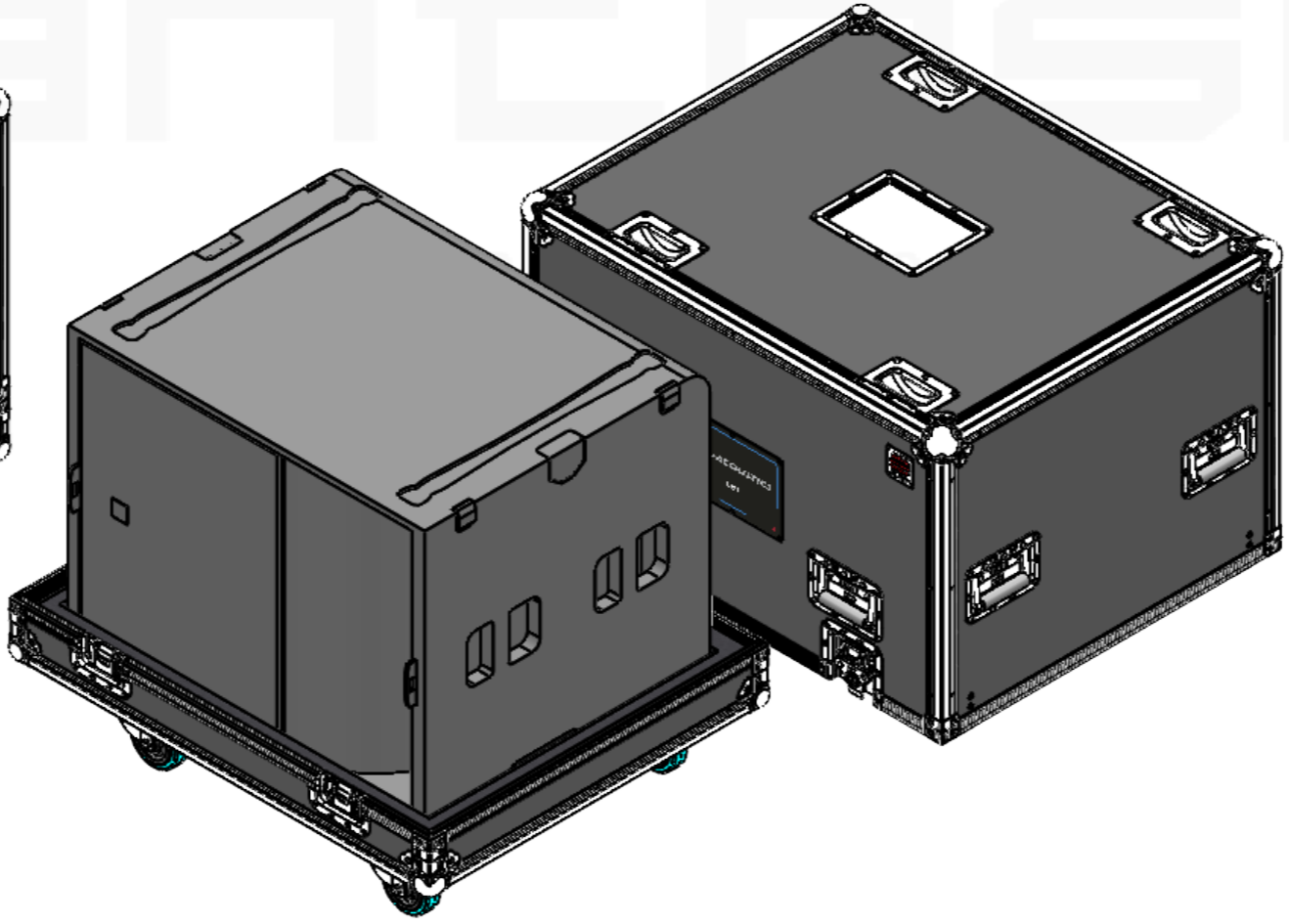
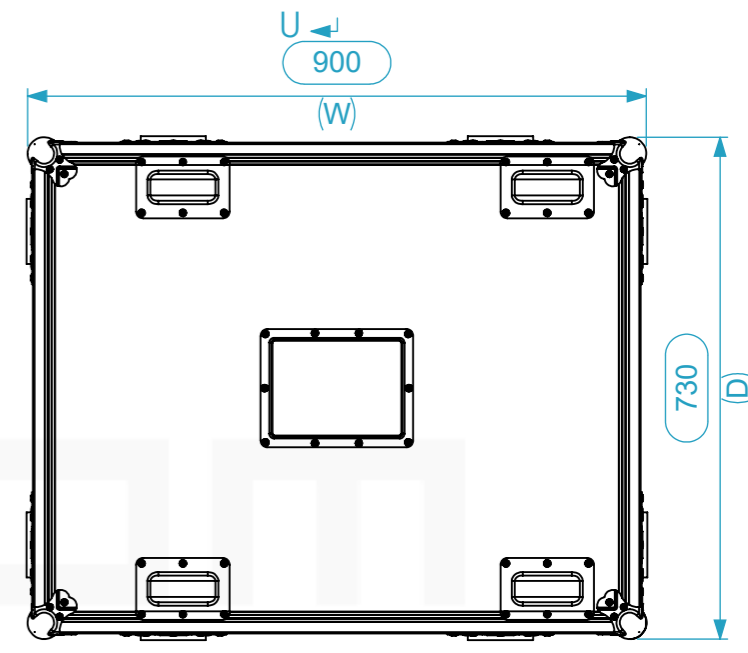
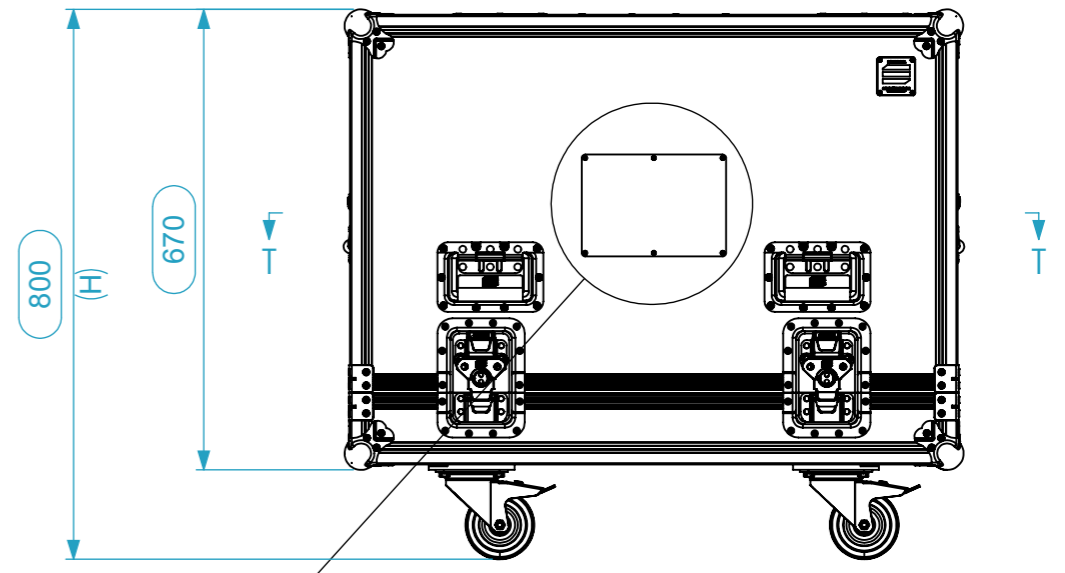
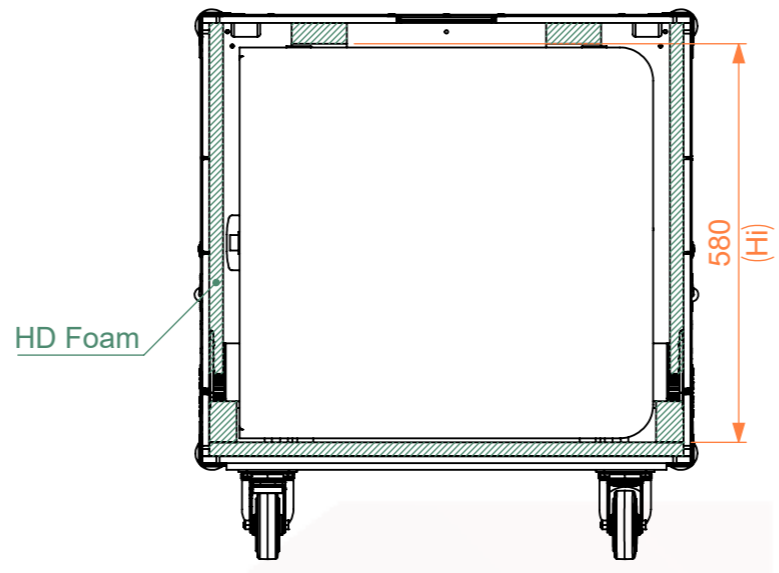
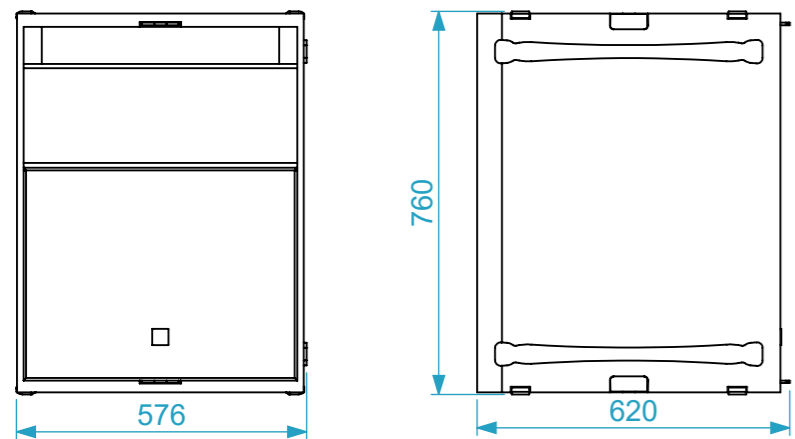


Equipment		L-Acoustics KS21 SUB	
Width	580	Depth	520
Height	439	Weight	Approx. 36 Kg
Internal Dimensions			
Width	856	Depth	656
Height	626	FC Weight	Approx. 38 Kg
Wall Thickness			10mm



General External Dimensions		Usable Inner Dimensions	
W	Width	Wi	Inside Width
D	Depth	Di	Inside Depth
H	Height	Hi	Inside Height

Name	guilherme.santos	Date	28/05/2026
Reference	SP2.LACKS21		
Scale	1:10	units in mm	general tolerance 0.8mm
1st Angle projection	Flight case PRO L-Acoustics KS21 SUB		



A3 This drawing must not be copied or disclosed without consent of the owner