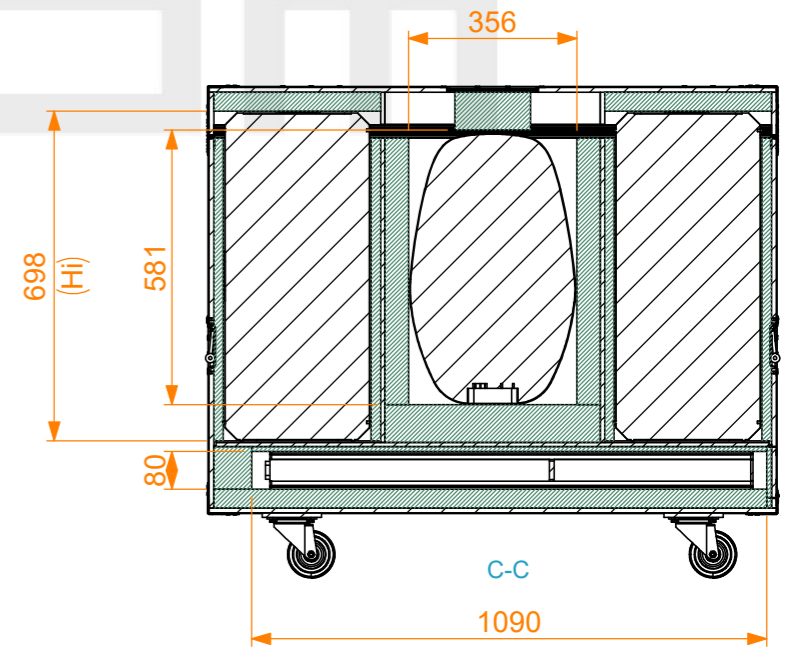
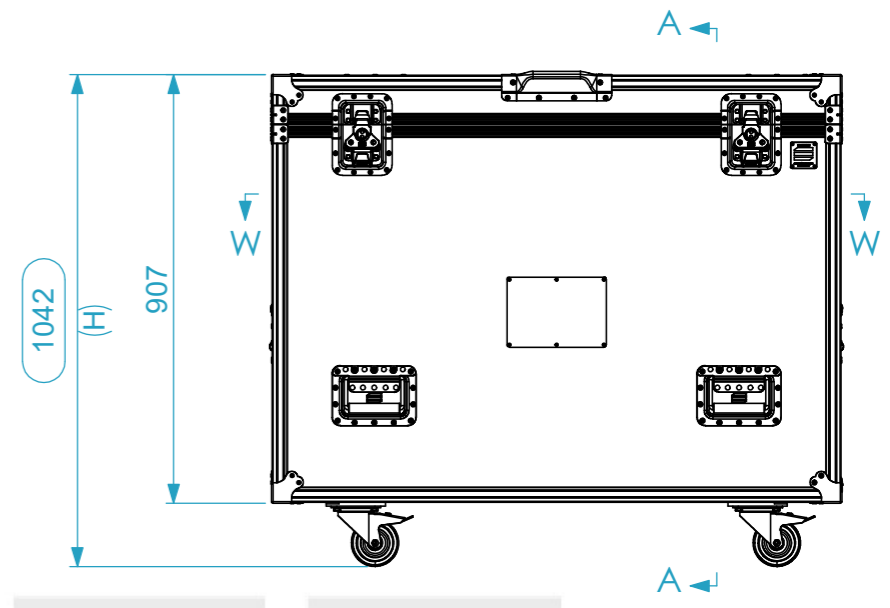
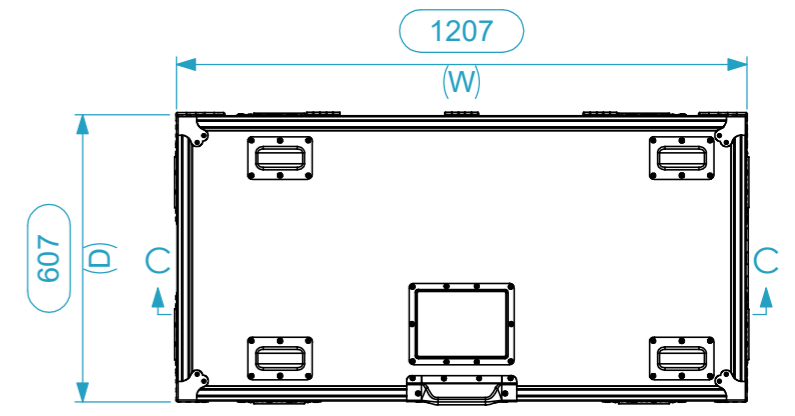
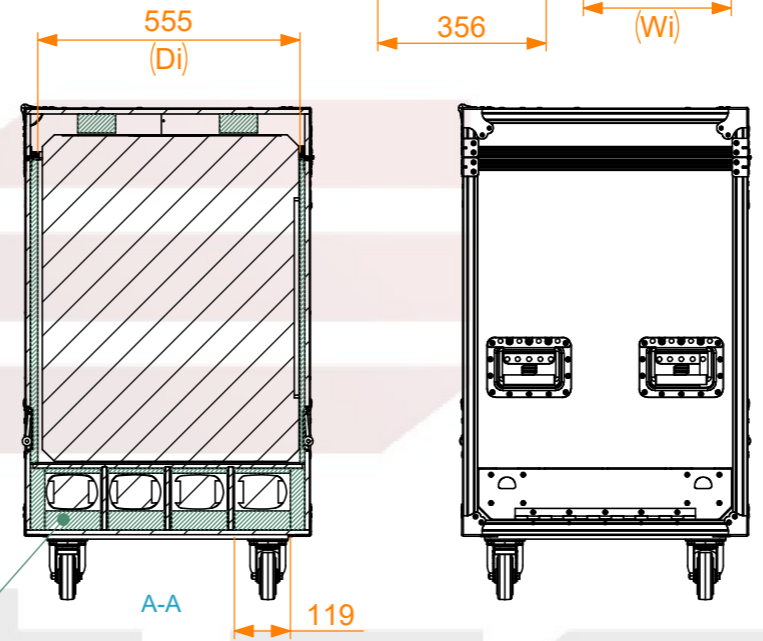
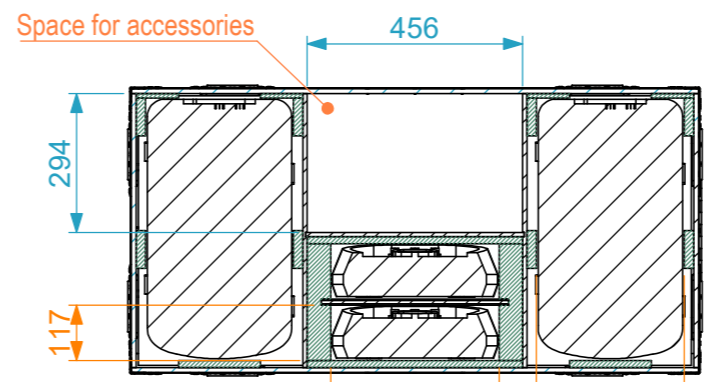
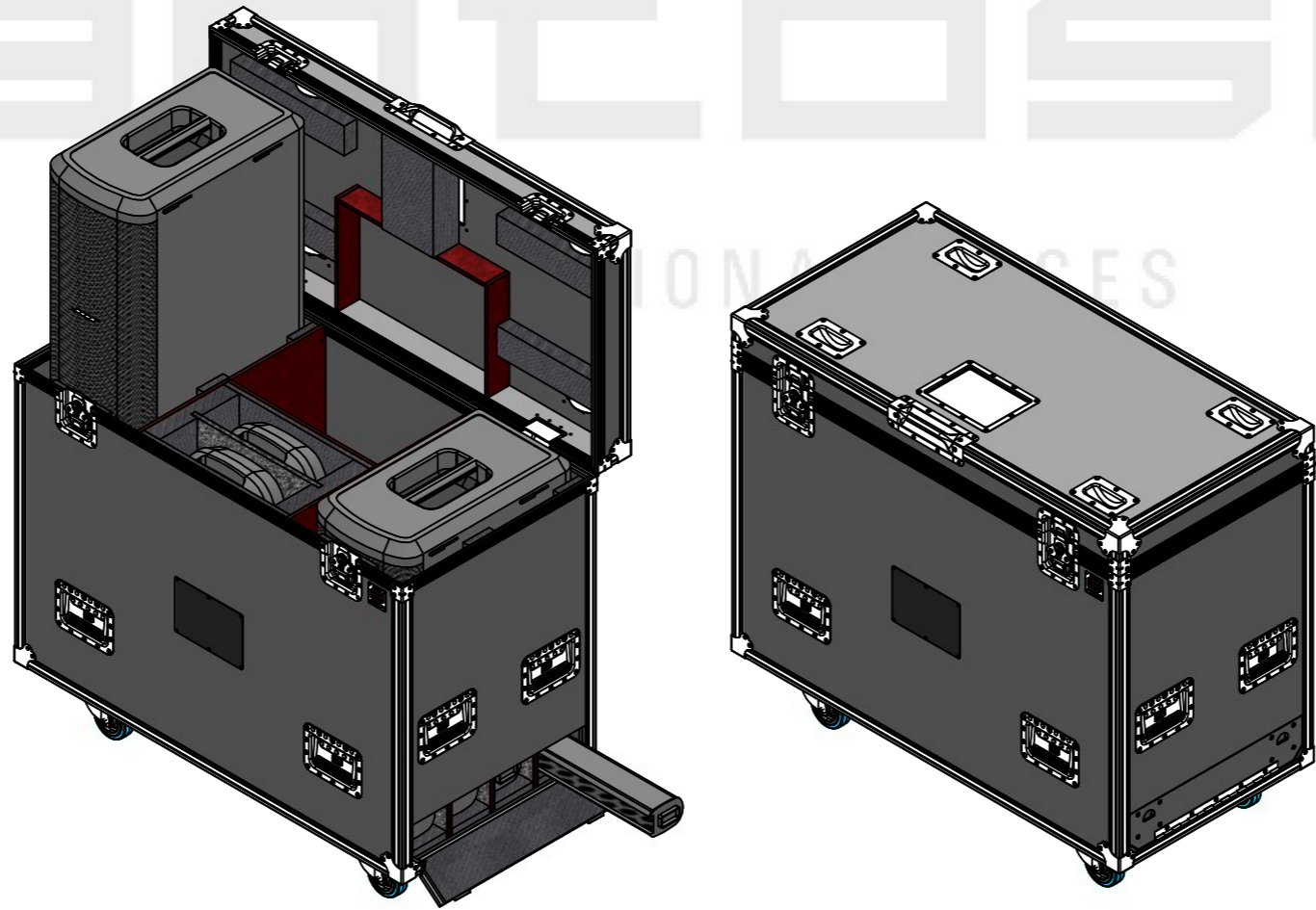
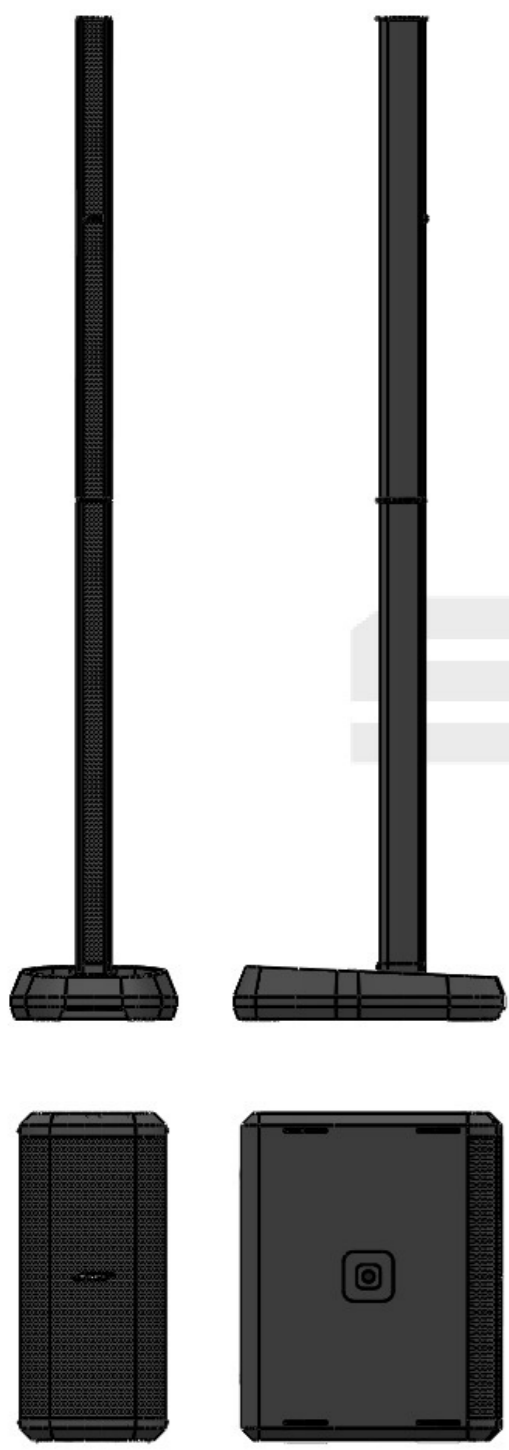


<b>Equipment</b>	BOSE L1 PRO32 + SUB2	
<b>Width</b>	<b>Depth</b>	<b>Height</b>
349 / 306	573 / 550	2120 / 694
<b>Weight</b>	Approx. 13.1 / 23 Kg	
<b>Internal Dimensions</b>		
<b>Width</b>	<b>Depth</b>	<b>Height</b>
375	470	532
<b>Weight</b>	Approx. 71.90 Kg	
<b>Wall Thickness</b>	10mm	



General External Dimensions		Usable Inner Dimensions	
W	Width	Wi	Inside Width
D	Depth	Di	Inside Depth
H	Height	Hi	Inside Height

Name	Date
Drawn by: catarina.silva	22/11/2024
Reference	SP1P.BOSL1P32S2.08
Scale	1:16
units in mm	DO NOT SCALE
general tolerance	0.8mm
Flight case PRO, 2x Bose L1 PRO 32 + SUB2	



This drawing must not be copied or disclosed without consent of the owner



A3