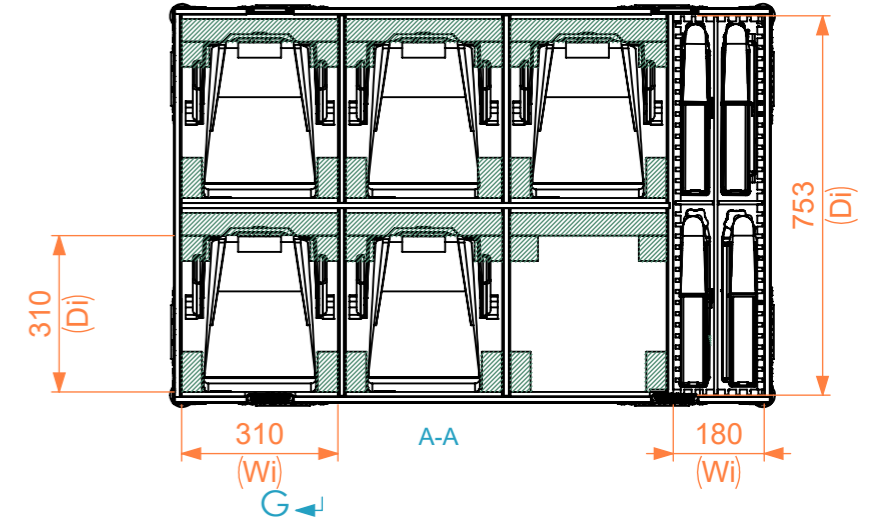
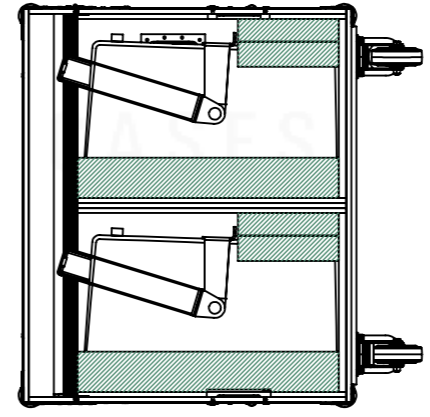
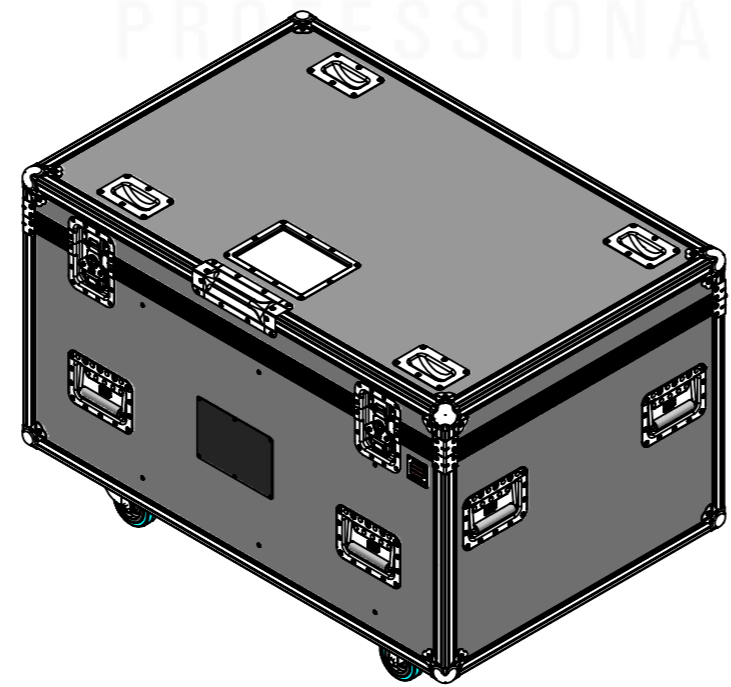
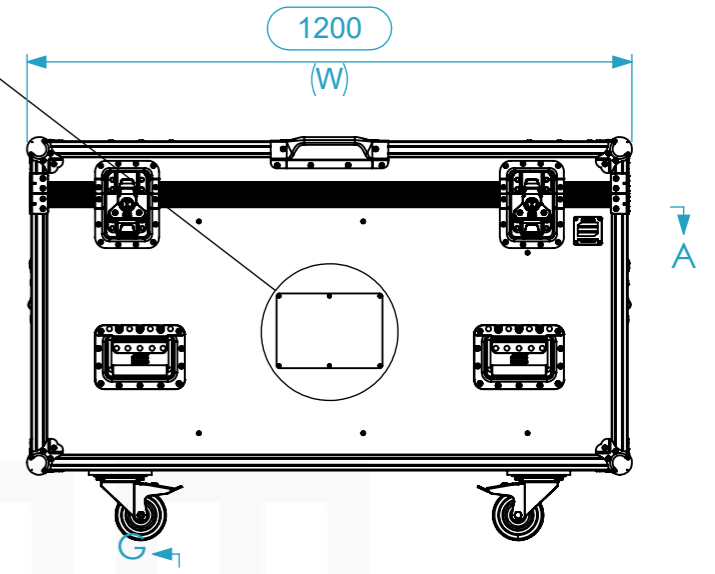
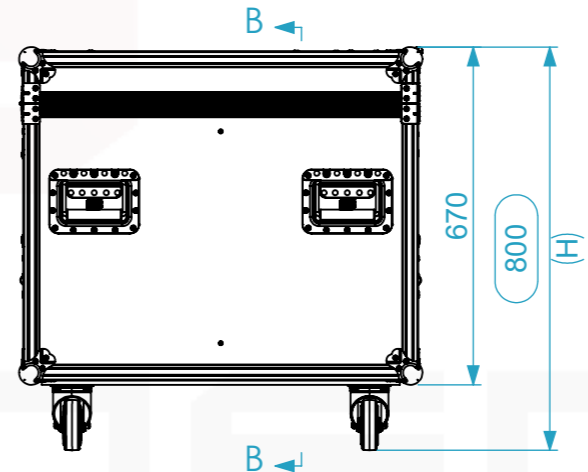
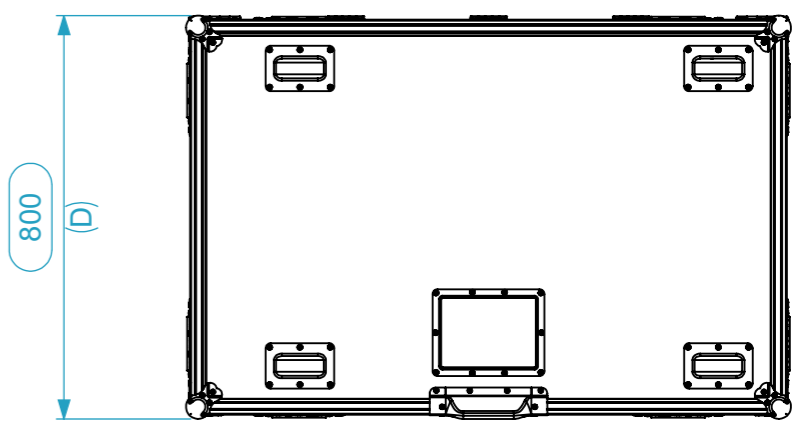
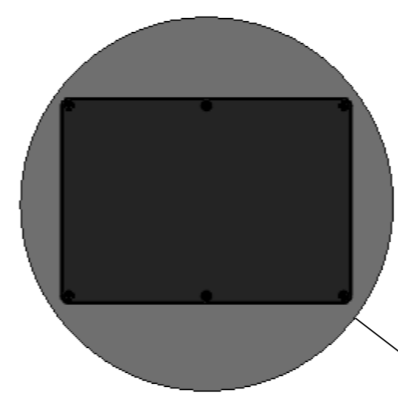
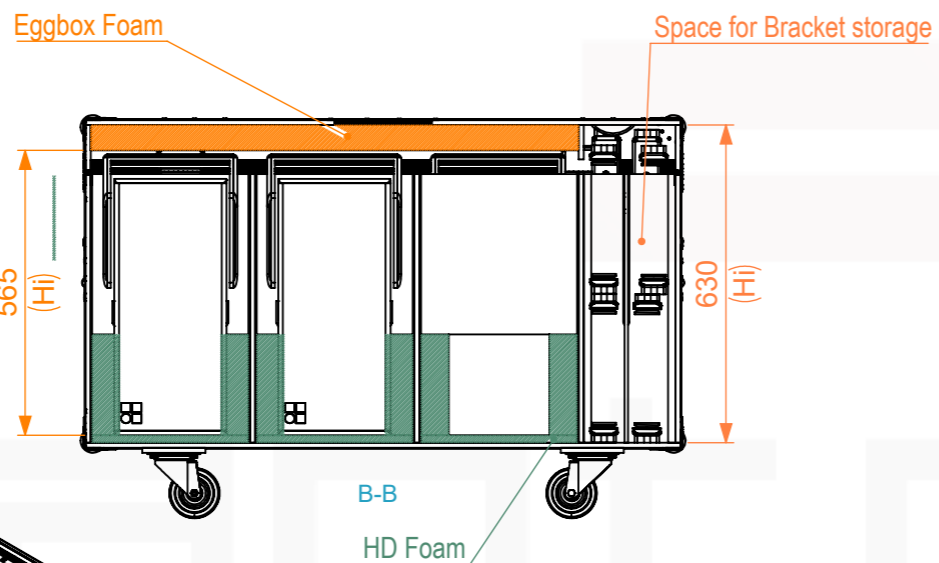
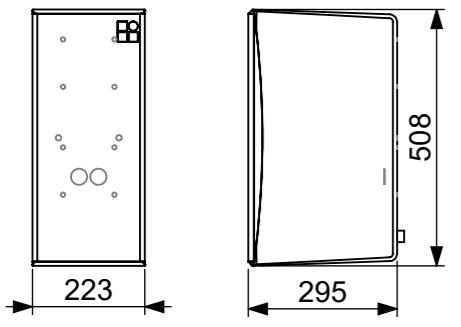


Equipment		D&B U5	
Width	Depth	Height	
223	295	509	
Weight	Approx. Kg		
Internal Dimensions			
Width	Depth	Height	
1200	800	670	
FC Weight	Approx. 48 Kg		
Wall Thickness		10mm	



General External Dimensions		Usable Inner Dimensions	
W	Width	Wi	Inside Width
D	Depth	Di	Inside Depth
H	Height	Hi	Inside Height

Name	Date
Drawn by: tiago.pais	17/06/2026
Reference	SP1.DBAU5.06
Scale	1:15
units in mm	general tolerance 0.8mm
DO NOT SCALE	
1st Angle projection	
Flight case PRO, 6x D&B U5	



This drawing must not be copied or disclosed without consent of the owner

A3