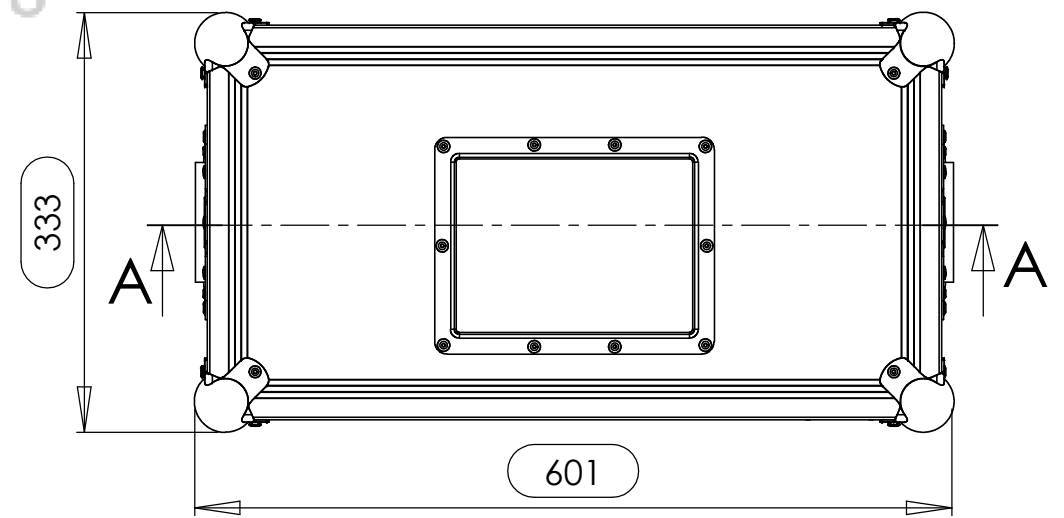
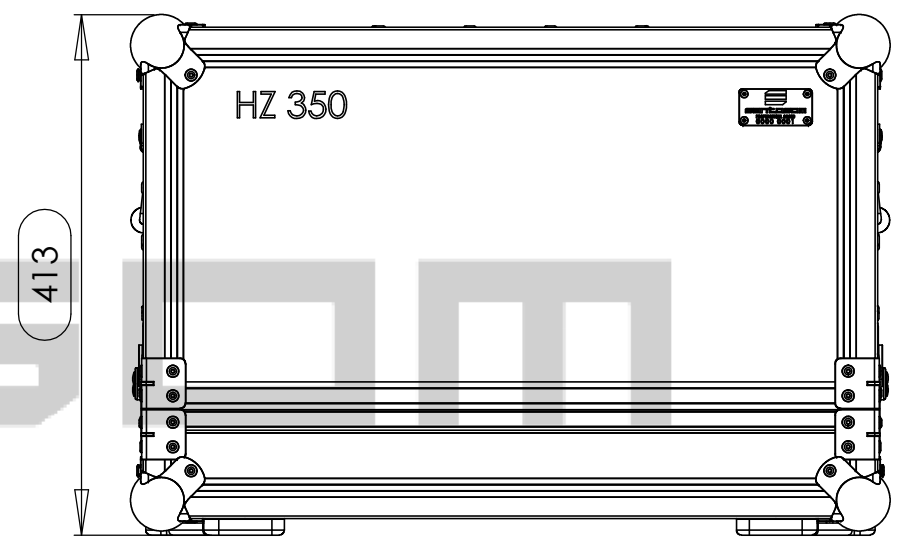
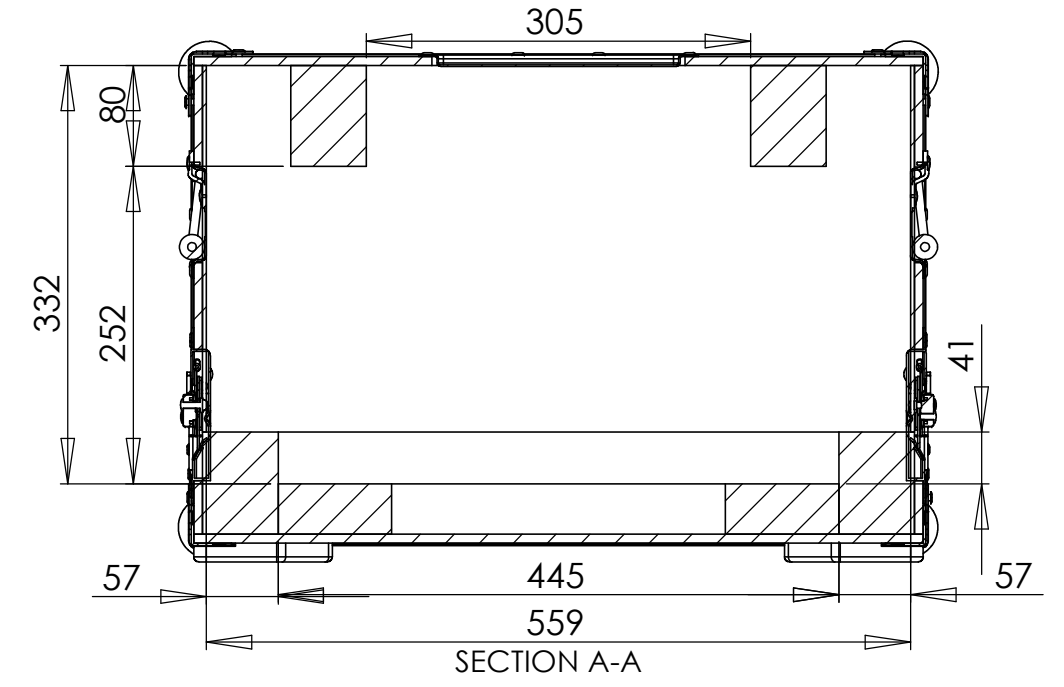
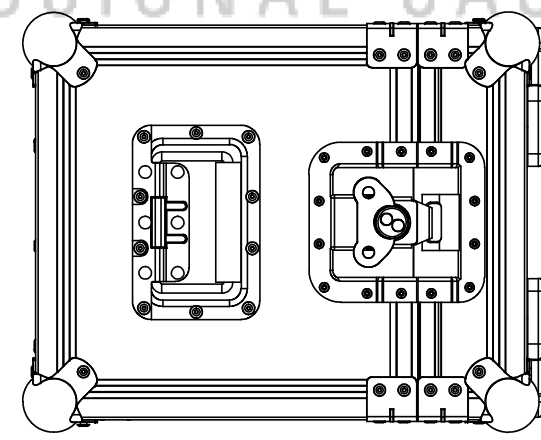
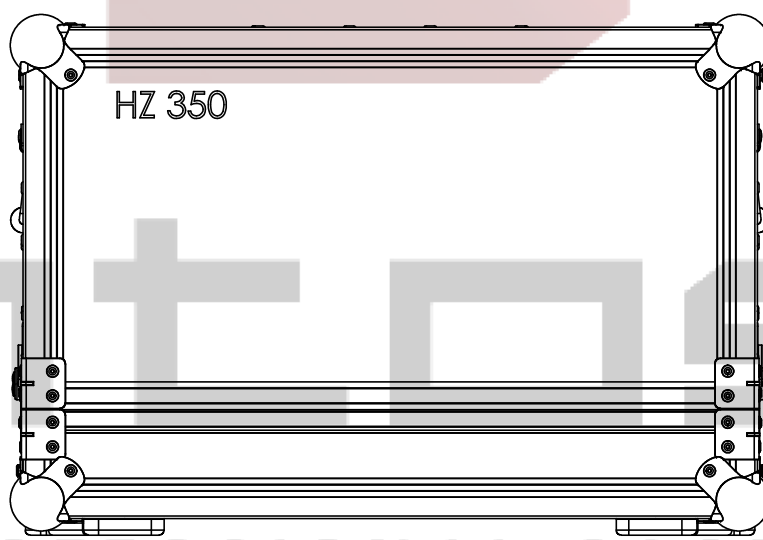
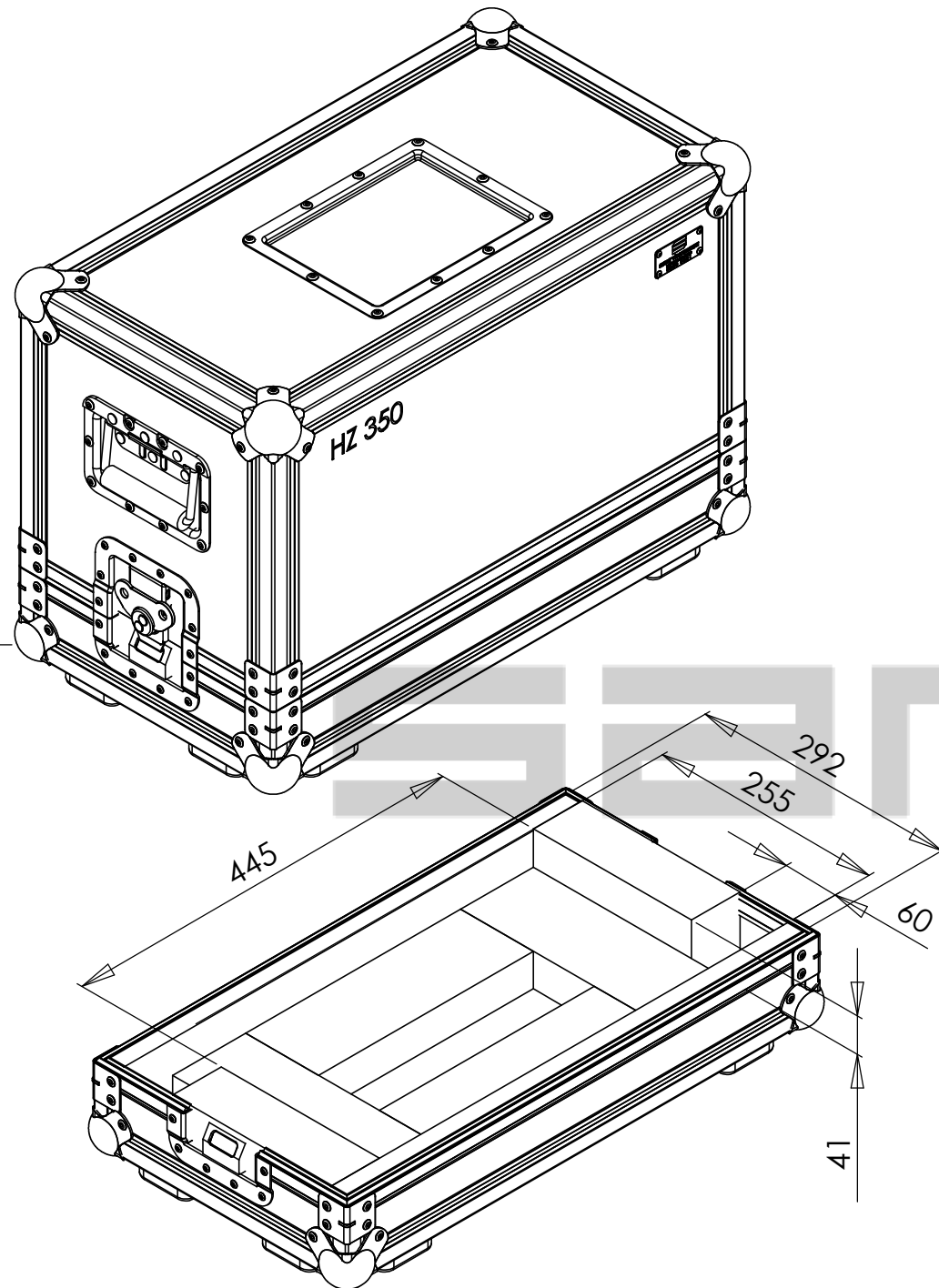


Interior dimensions		
Width	Depth	Height
445	255	252
Weight	Approx. 10 Kg	
Wall Thickness	7mm	

REVISIONS				
ZONE	REV.	DESCRIPTION	DATE	APPROVED
-	-	Final Drawing	16/12/2013	Daniel Lopes



Hardware		
Qty	Ref.	Description
8	40403	Large corner bracket f. 35mm case angle
8	4120	Medium ball corner zinc plated
1	88001D	Dish for 88001 Tour Label
2	34082	Recessed sprung handle medium model
2	172531	Large butterfly V3 with 'push-back' function

This drawing must not be copied or disclosed without consent of the owner

Drawn by	Name	Date
DanielLopes	DanielLopes	17-12-2013
Reference	SMOKE.146	
Scale	units in mm	general tolerance
1:6	DO NOT SCALE	0.8mm
1st Angle projection	FC, ANTARI HZ 350 PROHAZER	

