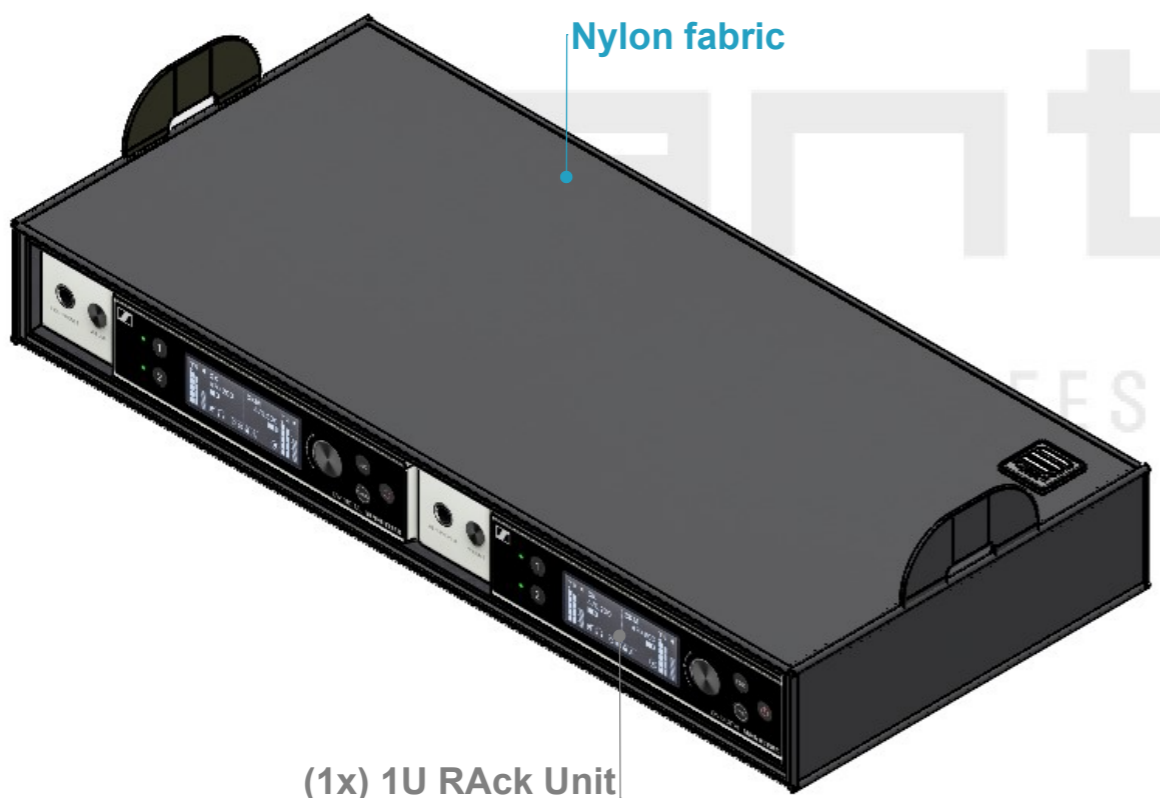
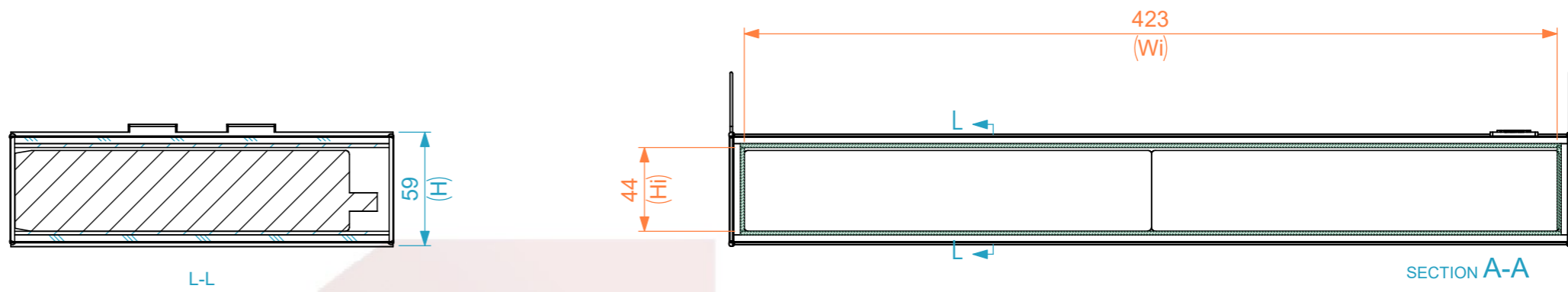


Dimensions

Width	Depth	Height
440	200	59
FC Weight	Approx. 0.39 Kg	



(1x) 1U Rack Unit
(*)



General External Dimensions	
W	Width
D	Depth
H	Height
Usable Inner Dimensions	
Wi	Inside Width
Di	Inside Depth
Hi	Inside Height

Drawn by	Name	Date
alvaro.santos	alvaro.santos	05/09/2025
Reference	OP59928	
Scale	units in mm	general tolerance
1:3	DO NOT SCALE	0.8mm
1st Angle projection		
Rack menina para EW-D		



This drawing must not be copied or disclosed without consent of the owner

A3