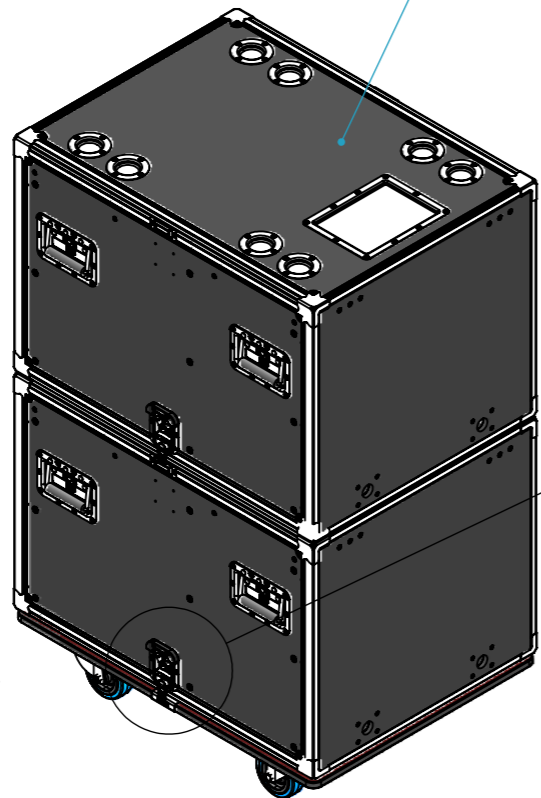


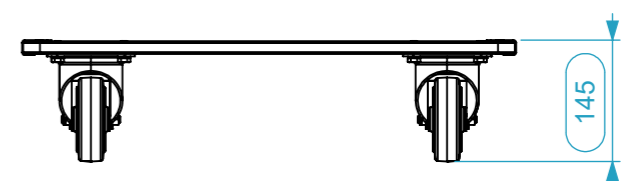
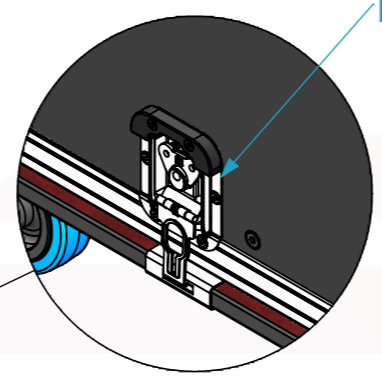
Dimensions

Width	Depth	Height
600	800	145
Weight	Approx. 8 Kg	
Wall Thickness		15mm

FOR RCS RACKS STACKING



Latching system

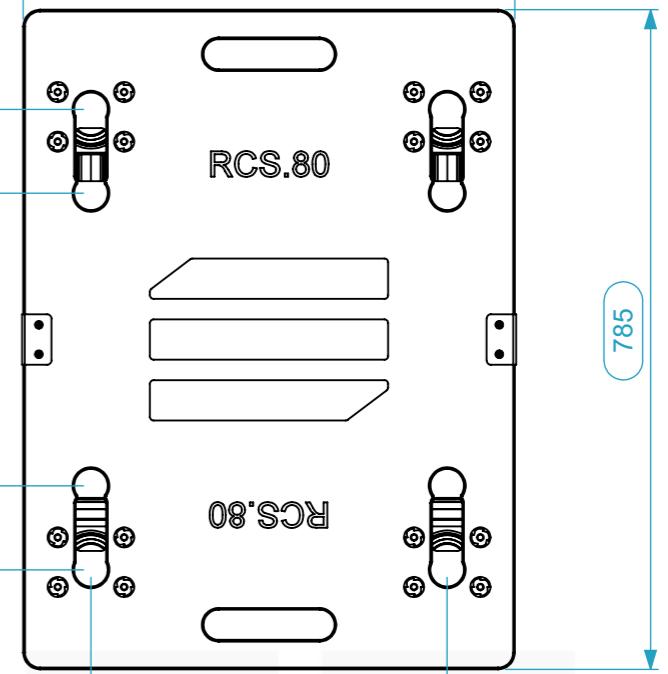


585

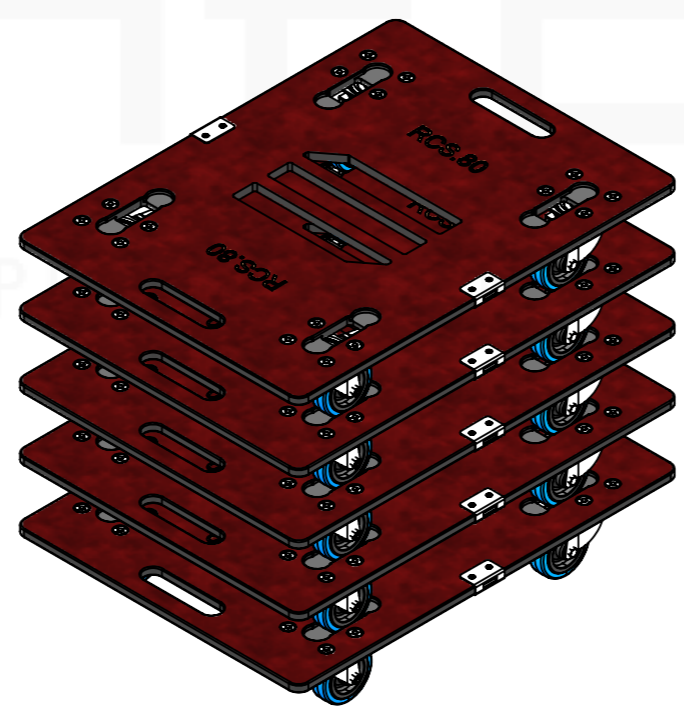
548

348

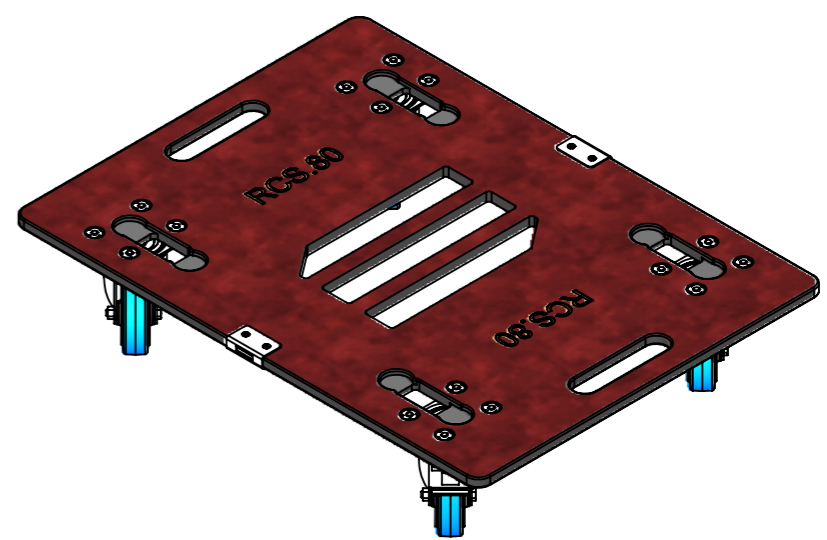
785



424



STACKING FOR STORAGE



STACKING RCS RACKS WITH A STANDARD FLIGHTCASE 80x60

	Name	Date
Drawn by	paula.almeida	27/04/2023
Reference	SKTRCS.80	
Scale	units in mm 1:8 DO NOT SCALE	general tolerance 0.8mm
1st Angle projection	SKATE, RCS COMPACT SLIDING, 710-ARR	



This drawing must not be copied or disclosed without consent of the owner

A3