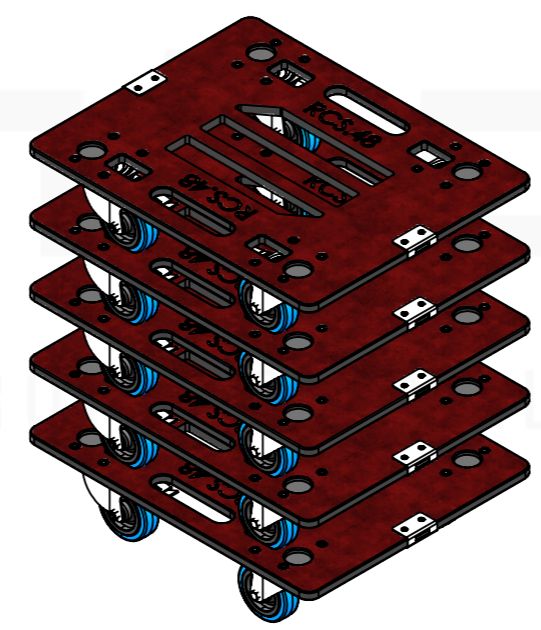
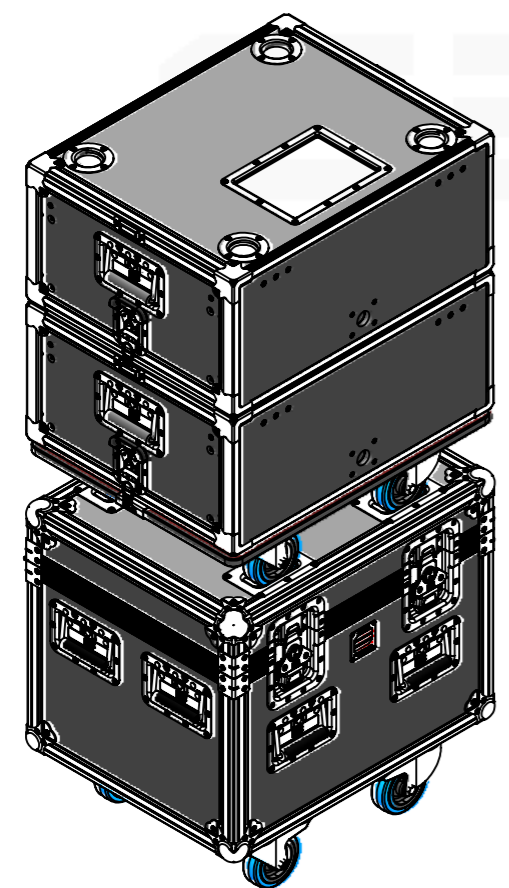
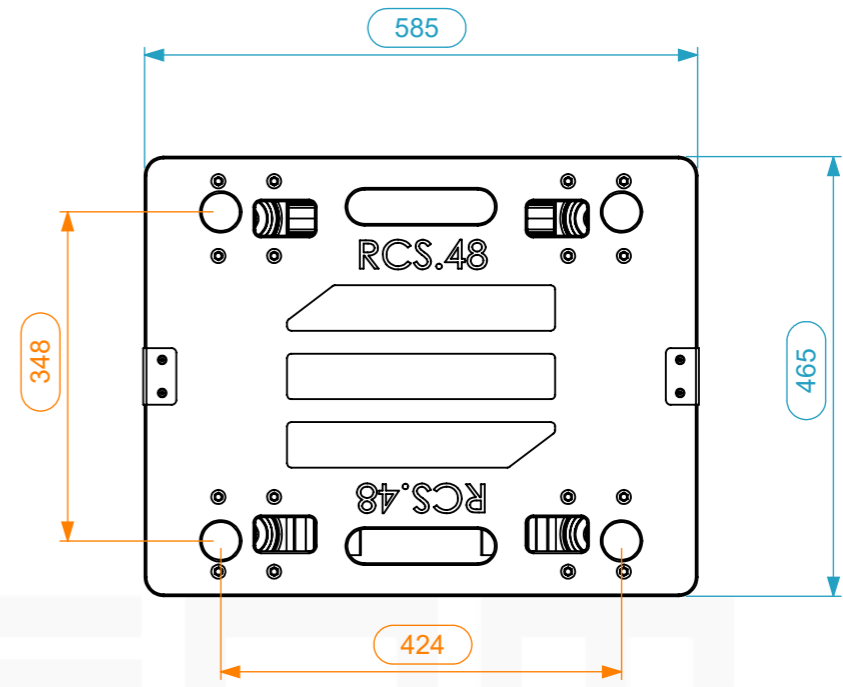
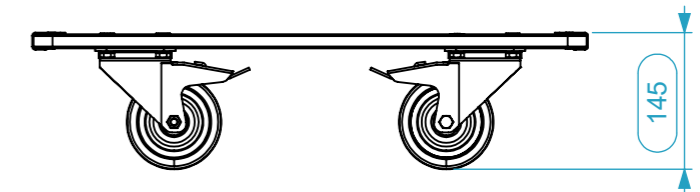
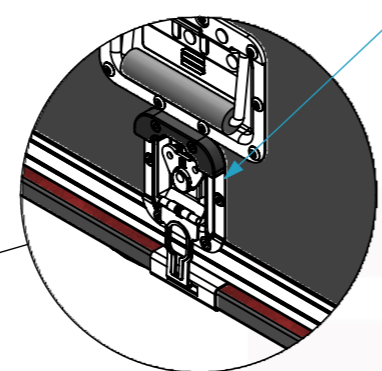
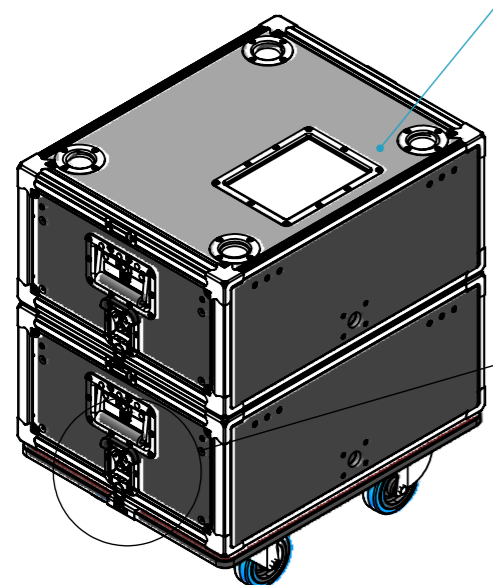


**Dimensions**

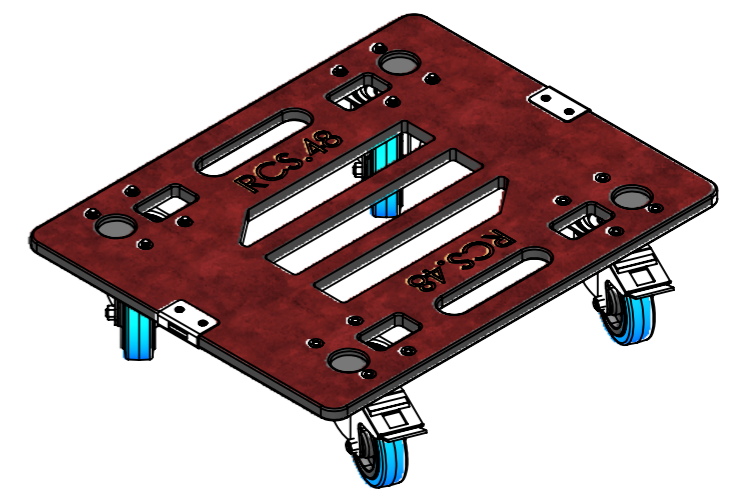
<b>Width</b>	<b>Depth</b>	<b>Height</b>
600	480	145
<b>Weight</b>	Approx. 6 Kg	
<b>Wall Thickness</b>		15mm

**FOR RCS RACKS STACKING**

**Latching system**



**STACKING FOR STORAGE**



**STACKING RCS RACKS WITH A STANDARD TRUNK ML 60**

Name	Date
CarlaSilva	03/05/2023
Reference	SKTRCS.48
Scale	1:8
units in mm	general tolerance 0.8mm
DO NOT SCALE	
SKATE, RCS COMPACT SLIDING, 390-ARR	



This drawing must not be copied or disclosed without consent of the owner



A3