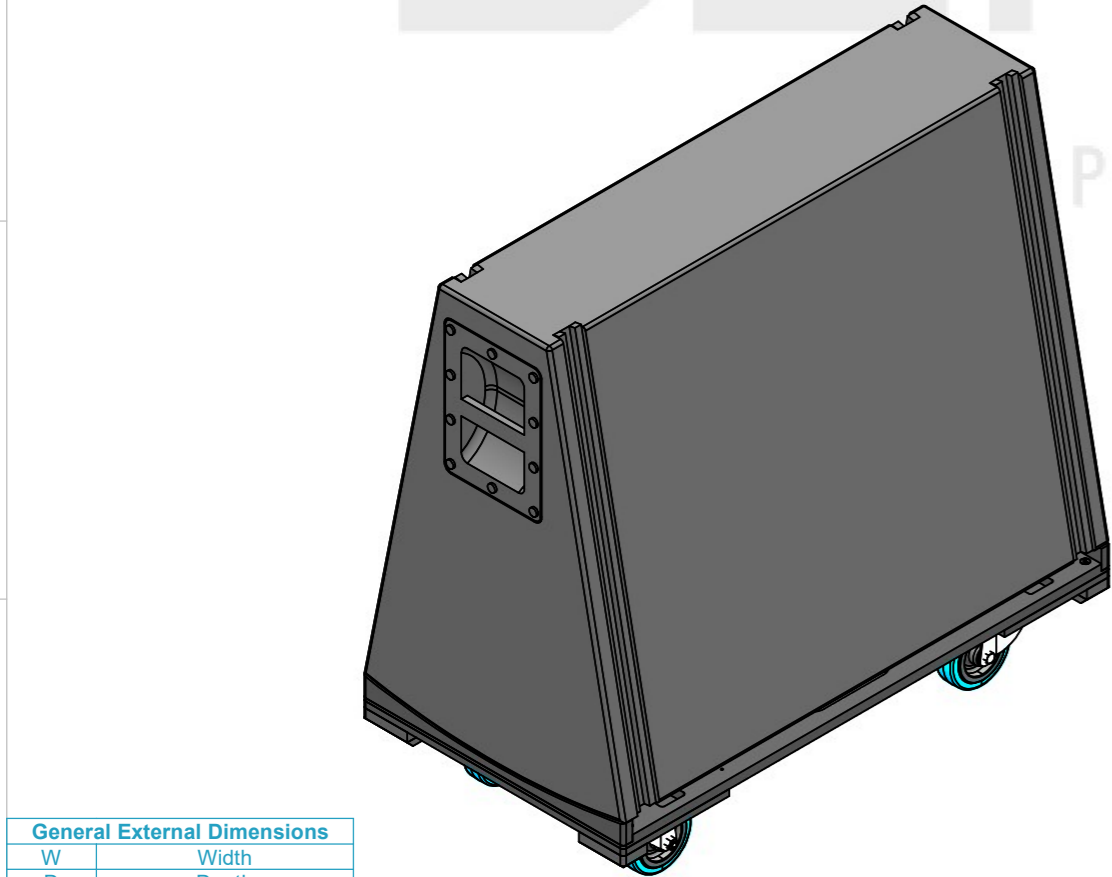
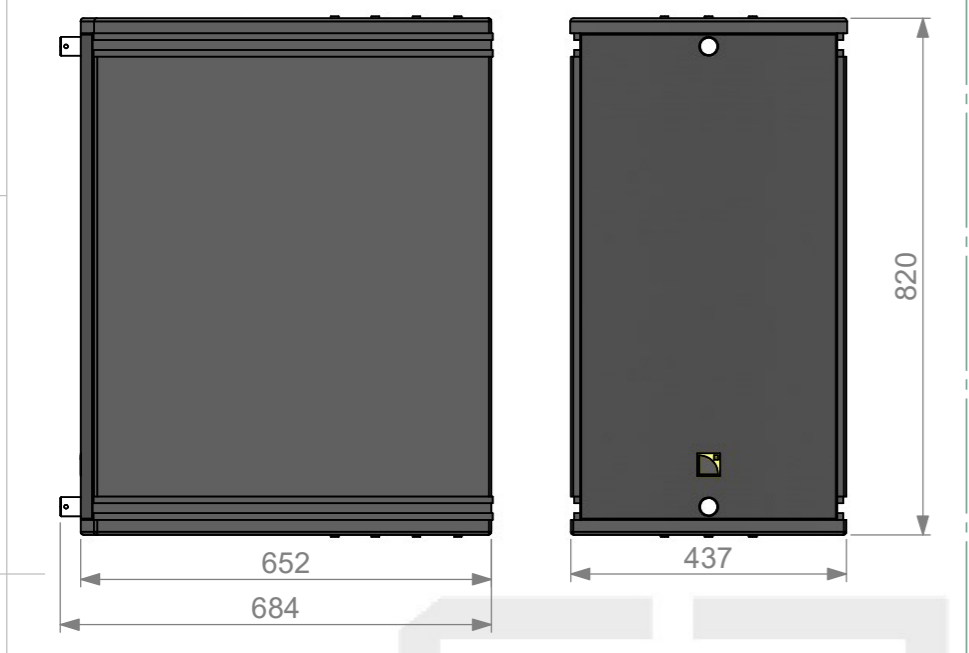
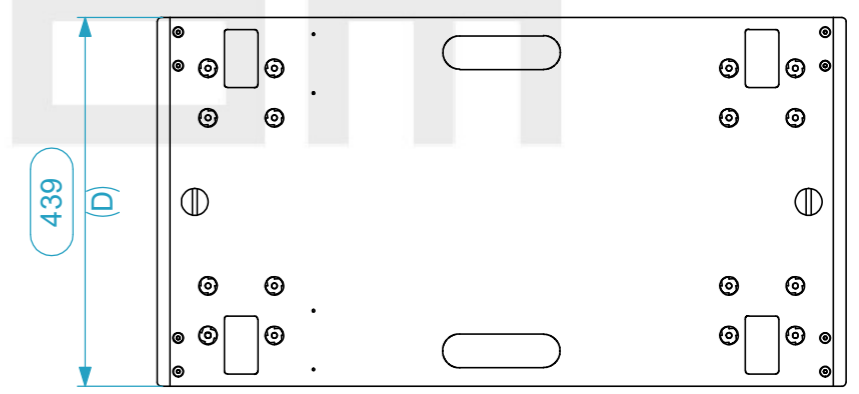
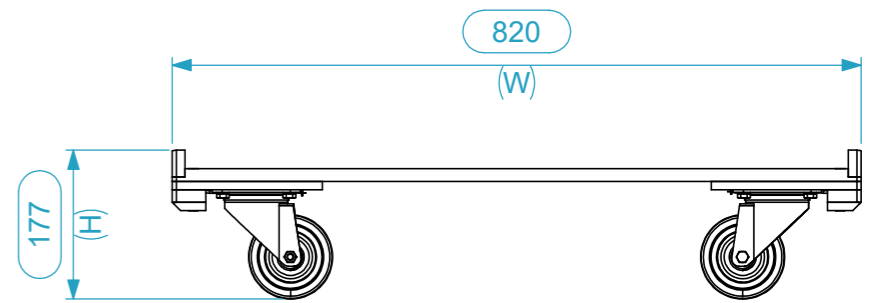
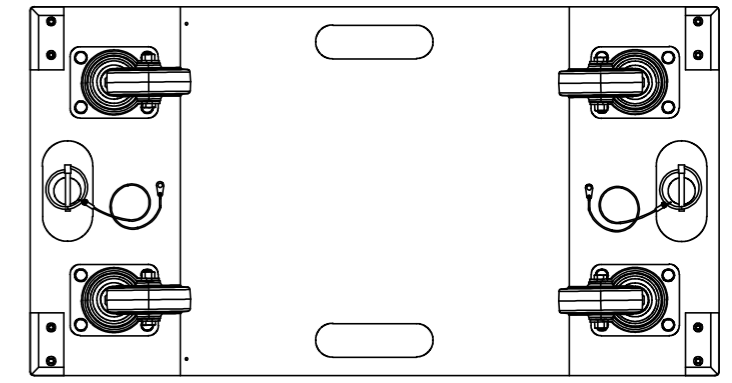
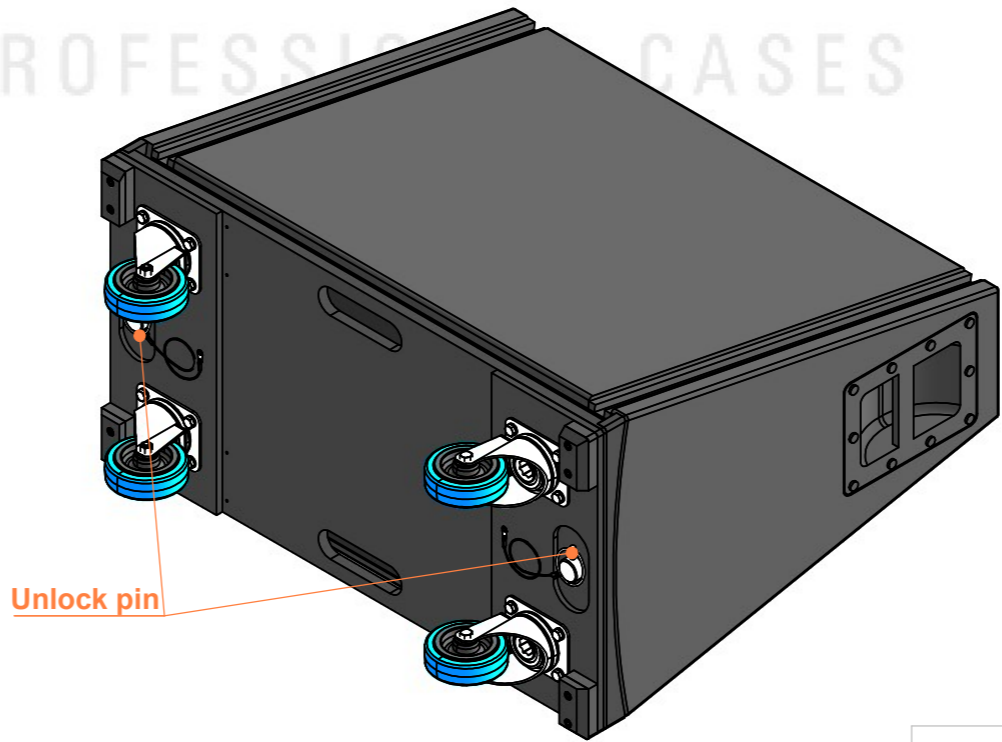
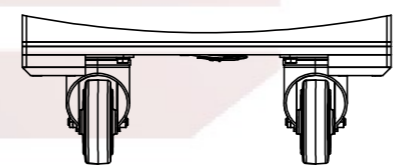
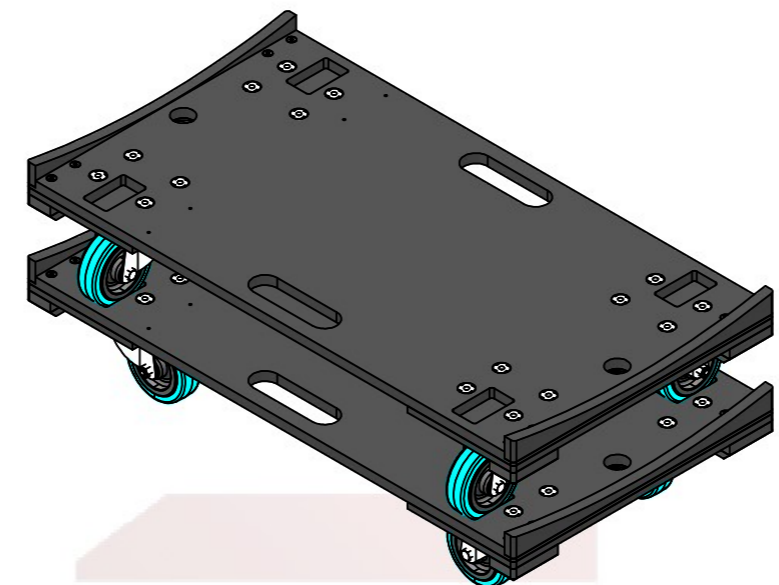


Equipment		L-Acoustics ARCS II	
Width	Depth	Height	
439	652	820	
Weight	Approx. 50 Kg		
Internal Dimensions			
Width	Depth	Height	
820	571	153	
Weight	Approx. 7 Kg		
Wall Thickness		18mm	



General External Dimensions	
W	Width
D	Depth
H	Height



This drawing must not be copied or disclosed without consent of the owner

Drawn by	Name	Date
catarina.silva	catarina.silva	07/05/2026
Reference	SKT.LACKARCSII	
Scale	units in mm	general tolerance
1:9	DO NOT SCALE	0.8mm
1st Angle projection	Skate, L-Acoustics ARCS II	

