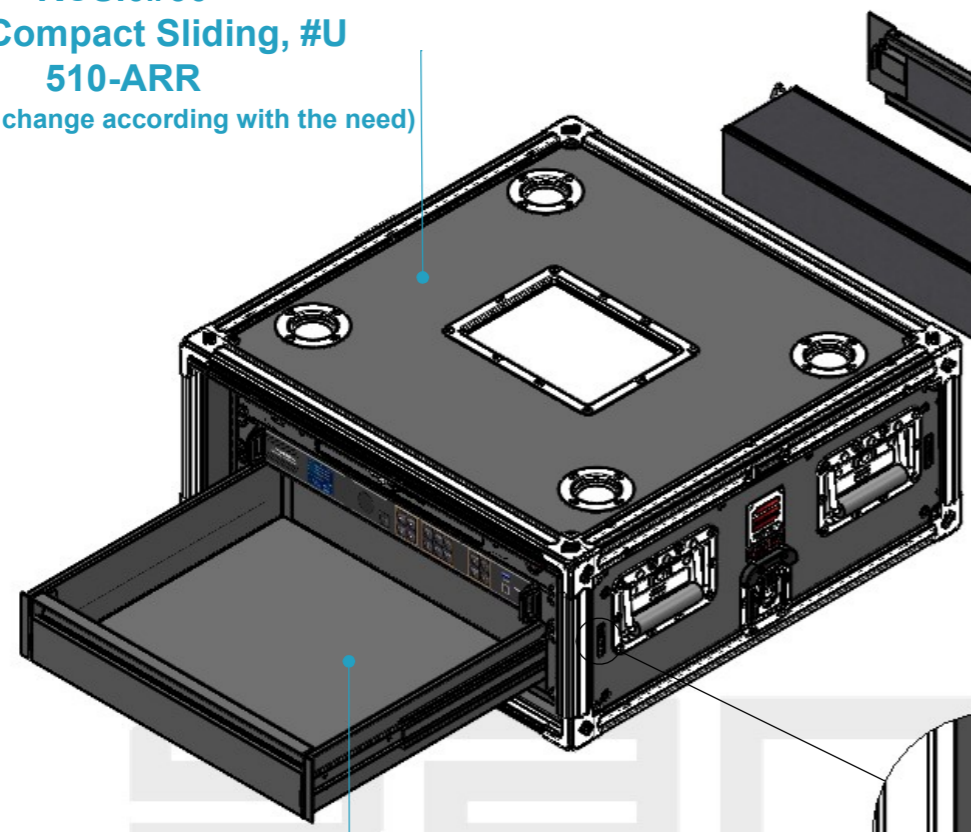


Dimensions		
Width	Depth	Height
600	600	380
Weight	Approx. 20.32 Kg	
SISVD3.VX600P.4U		4U

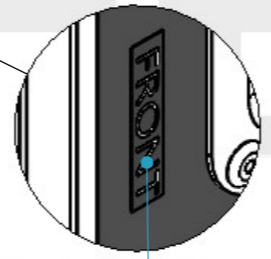
**RCS.0#60**  
**Rack Compact Sliding, #U**  
**510-ARR**  
 (# Rack units change according with the need)



**Protective Filter Dust**

**Rack Rail Bag for assorted material**  
 (\*)

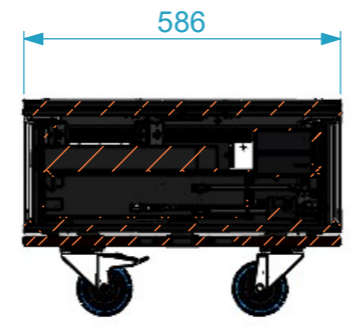
**Free space for cable management and Utils**  
 (\*)



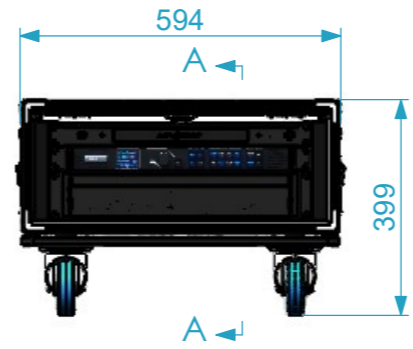
**Front and Rear ID sinaletic**

**Config 1**  
 \* Without opticalCON® connectors  
 \* Without XLR Audio connectors

**Config 2**  
 \* With NEUTRIK opticalCON® connectors  
 \* With XLR Audio connectors



A-A  
 SCALE 1 : 14



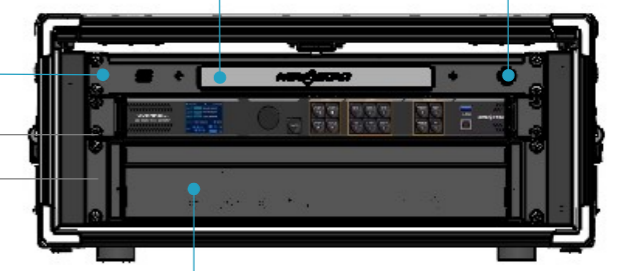
**Costumizable panel with UV imprints**

**Dimmer control**

**RKL.103**  
**19" 1U, LED Rack Panel**

**Equipments units for;**  
 \* Video Processor / Controler  
 \* Extra Drawer  
 (Rack units change according with the need)  
 (\*)

**19"x14" 2U, Aluminum Rack Drawer**  
**Black Powder Coated.**



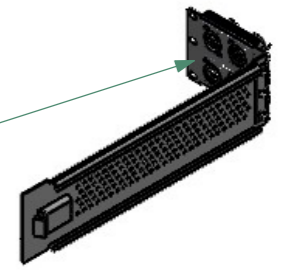
**19" Hinged Rack Panel, Vented.**  
**Black Powder Coated.**

**CST.VD06BRU.OUT**  
 (Fully assembled).

**CST.VD12.COM**  
 (Fully assembled).



**CSTD.D04.ADOPT**  
 (Fully assembled)]  
 (When in use, Rack Rail Bag does not fit)

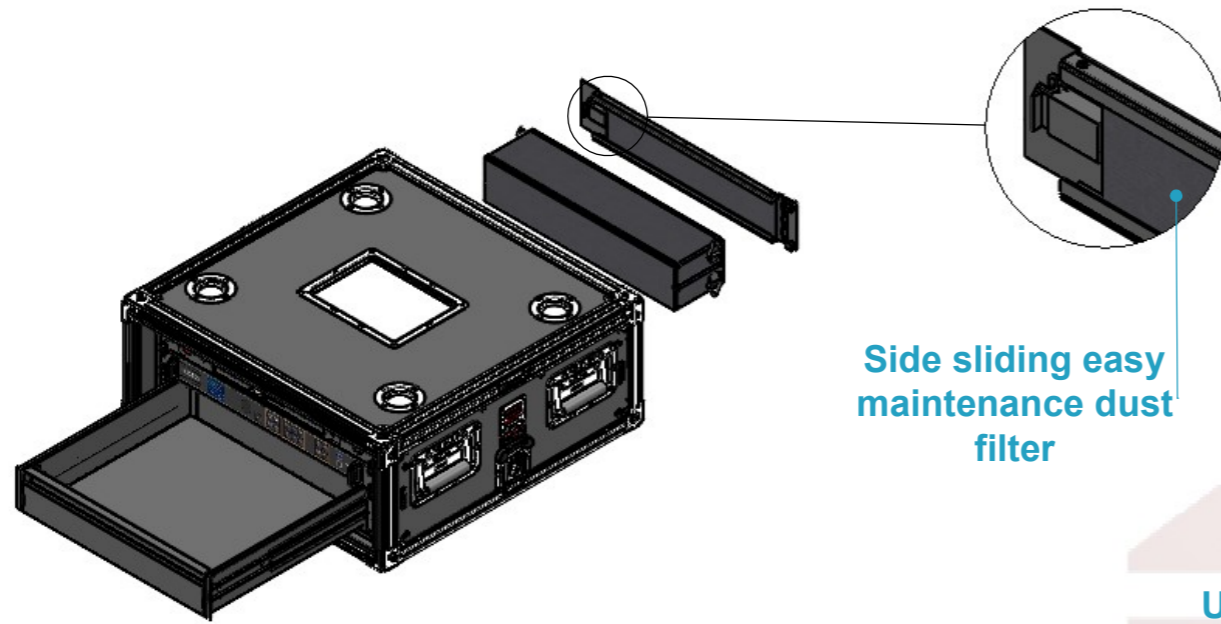


(\*) Devices not included  
 (\*) Related optional items, not included

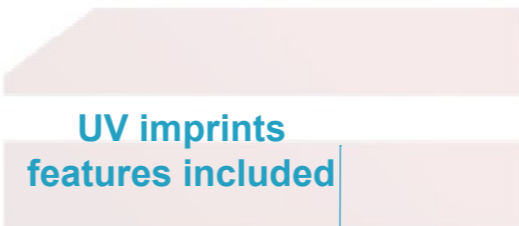
This drawing must not be copied or disclosed without consent of the owner

Drawn by	Name	Date
alvaro.santos	alvaro.santos	13/05/2026
Reference	SISVD3.VX600P.4U	
Scale	units in mm	general tolerance
1:8	DO NOT SCALE	0.8mm
1st Angle projection	SIS Video, Novastar VX600 Pro	

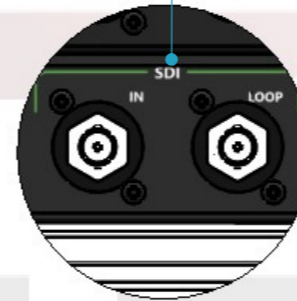




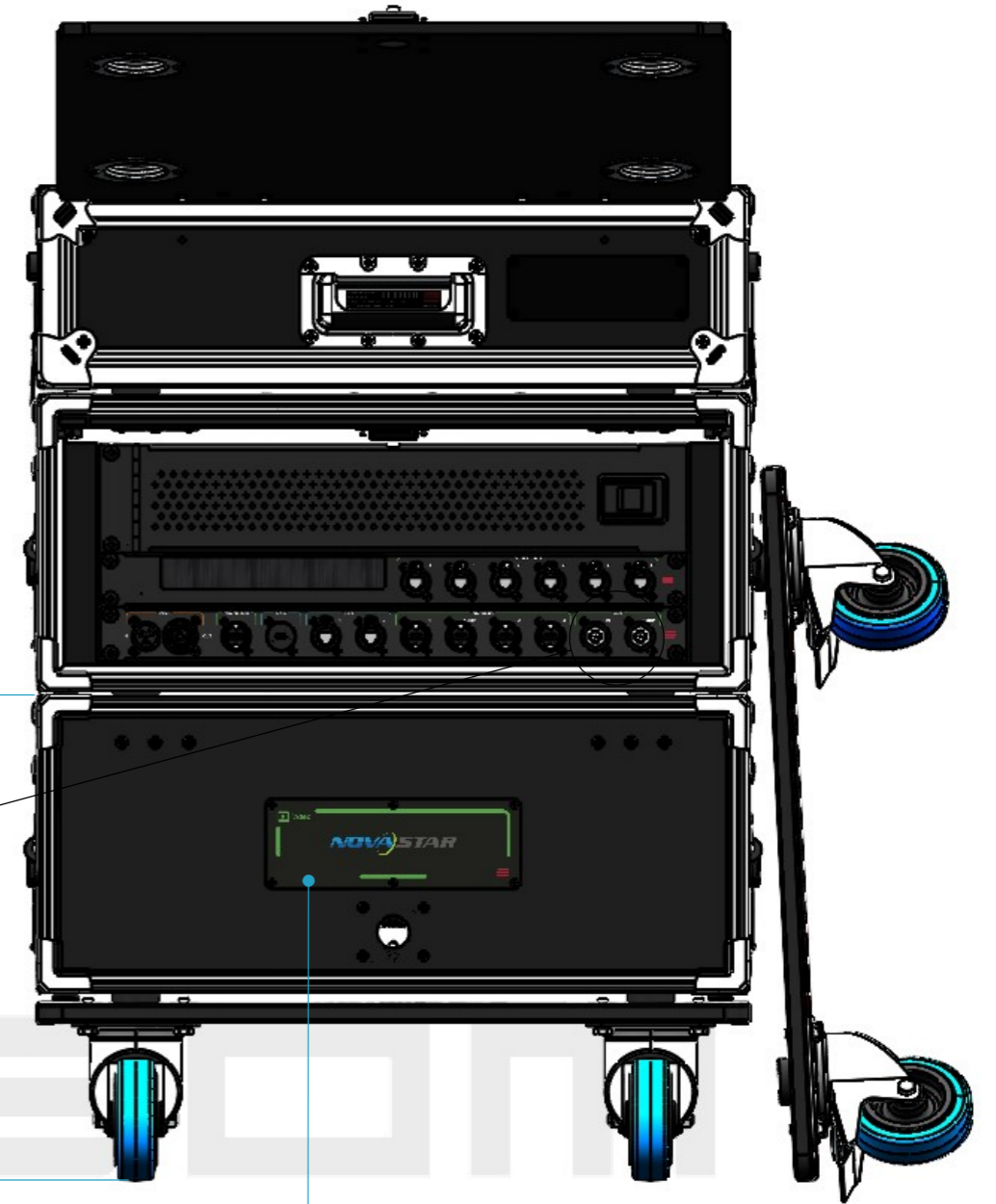
Side sliding easy maintenance dust filter



UV imprints features included



400



Chromatic ID system  
ID plate panel with UV features included;  
Your Logo,  
Activity Sector ID,  
Devices Brand and Series.

Available in different heights

(\*) XBRCS.06060##  
Trunk for assorted material



SKTRCS.60  
Skate for RCS  
Compact Sliding rack

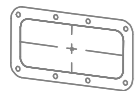
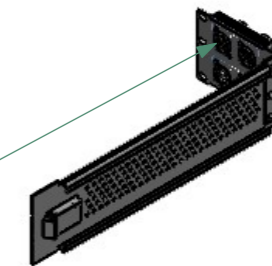
SISVD3.4U  
(Multiple combinations possible)

N° of rack units

All RCS.##60 racks are stackable



CSTD.D04.ADOPT  
(Fully assembled)  
(When in use, Rack Rail Bag does not fit)



(\*) Related Optional Items, not included

	Name	Date
Drawn by	alvaro.santos	13/05/2026
Reference	SISVD3.VX600P.4U	
Scale	units in mm	general tolerance
1:8	DO NOT SCALE	0.8mm
1st Angle projection	SIS Video, Novastar VX600 Pro	



This drawing must not be copied or disclosed without consent of the owner

A3