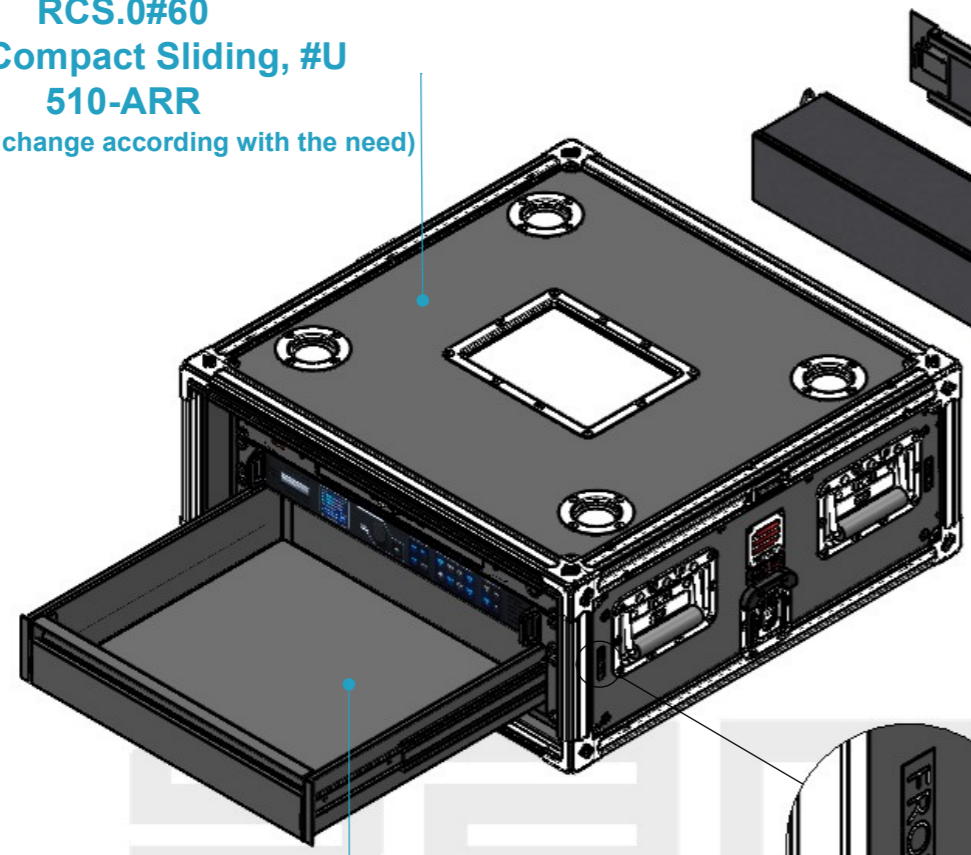
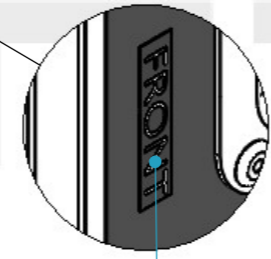


Dimensions		
Width	Depth	Height
600	600	380
Weight	Approx. 26.68 Kg	
SISVD3.VX1KP.4U		4U

RCS.0#60
Rack Compact Sliding, #U
510-ARR
 (# Rack units change according with the need)



Free space for cable management and Utils
 (*)



Front and Rear ID sinaletic

Protective Filter Dust

Rack Rail Bag for assorted material
 (*)

RKL.103
19" 1U, LED Rack Panel

Costumizable panel with UV imprints
 Dimmer control



Equipments units for;
 * Video Processor / Controler
 * Extra Drawer
 (Rack units change according with the need)
 (*)

19"x14" 2U, Aluminum Rack Drawer
Black Powder Coated.

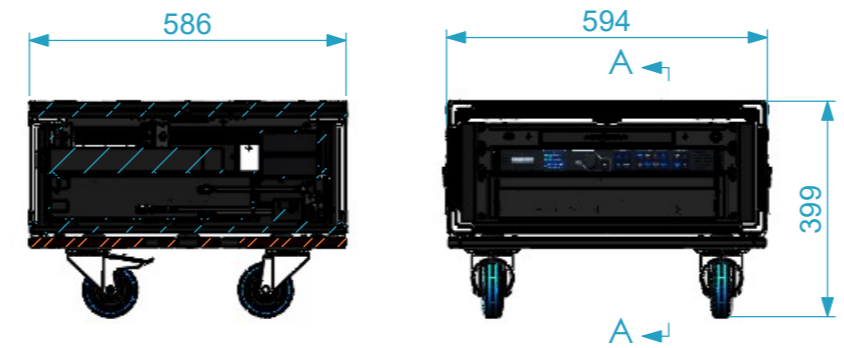
19" Hinged Rack Panel, Vented.
Black Powder Coated.
 (units change according with the need)

CST.VD10BRU.OUT
 (Fully assembled).



CST.VD12.COM
 (Fully assembled).

Config 1
 * Without opticalCON® connectors
Config 2
 * With NEUTRIK opticalCON® connectors



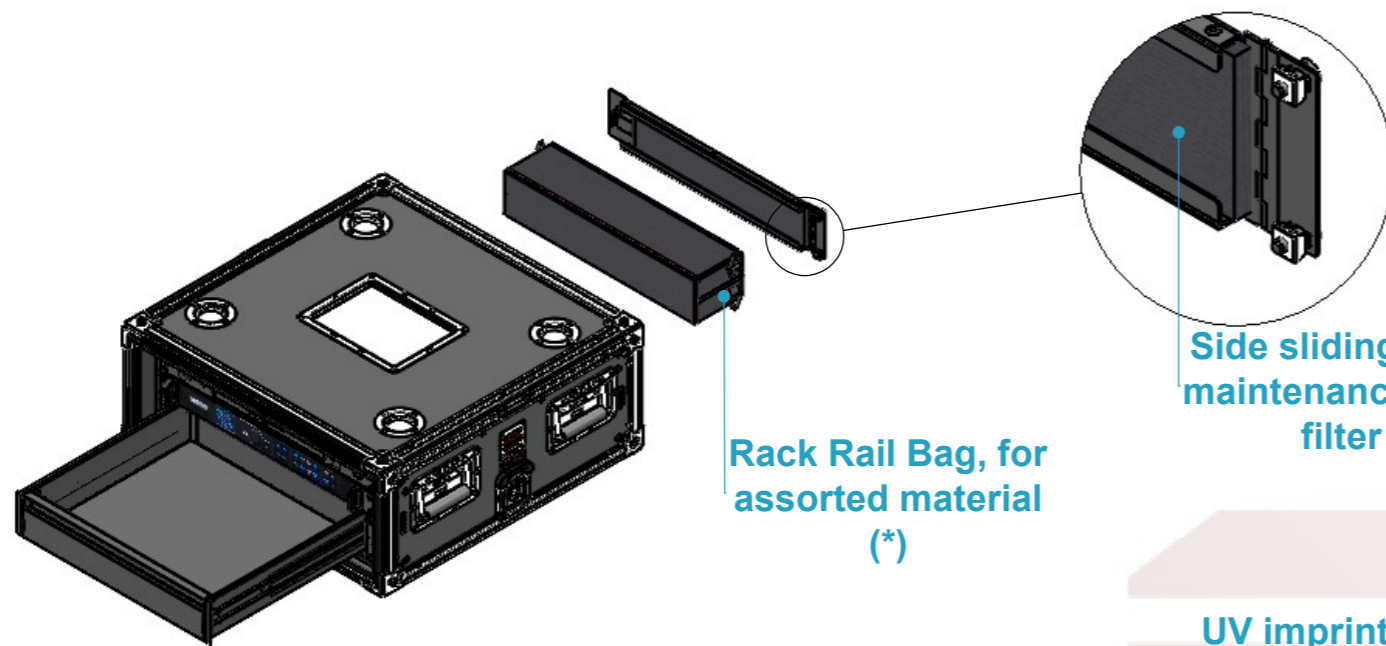
A-A
 SCALE 1 : 14

(*) Devices not included
 (*) Related optional items, not included

This drawing must not be copied or disclosed without consent of the owner

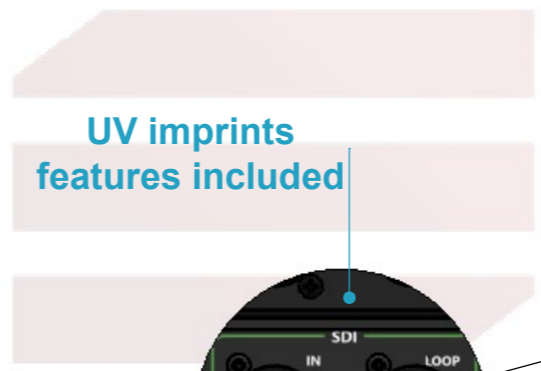
Name	Date
alvaro.santos	27/04/2026
Reference	SISVD3.VX1KP.4U
Scale	1:8
units in mm	DO NOT SCALE
general tolerance	0.8mm
SIS Video, Novostar VX1000 Pro	





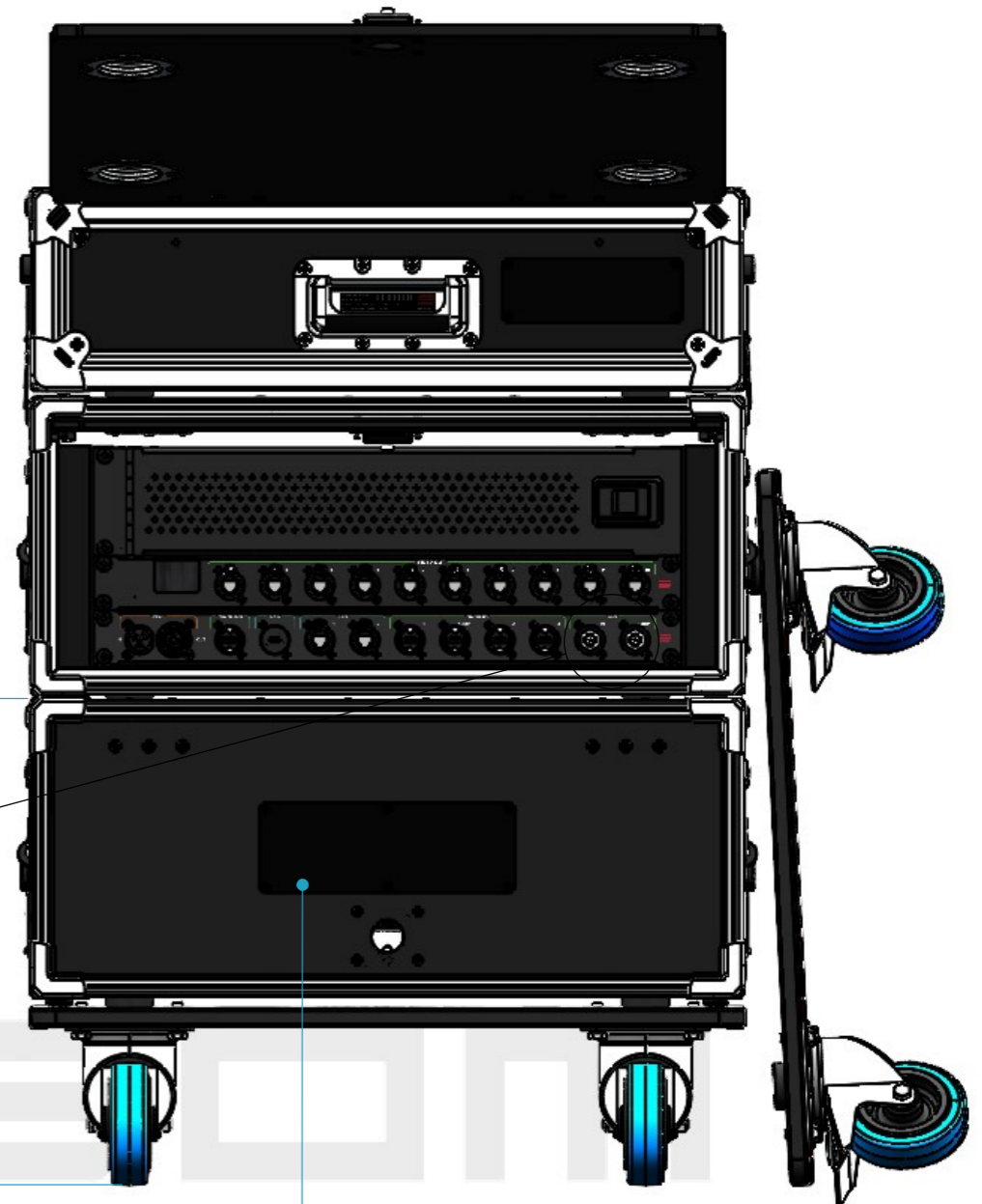
Rack Rail Bag, for assorted material (*)

Side sliding easy maintenance dust filter



UV imprints features included

400



Chromatic ID system
ID plate panel with UV features included;
Your Logo,
Activity Sector ID,
Devices Brand and Series.

Available in different heights

(*) XBRCS.06060##
Trunk for assorted material

SKTRCS.60
Skate for RCS
Compact Sliding rack



SISAW3.4U
(Multiple combinations possible)

N° of rack units

All RCS.##60 racks are stackable

(*) Related Optional Items, not included

Drawn by	Name	Date
alvaro.santos	alvaro.santos	27/04/2026
Reference	SISVD3.VX1000.4U	
Scale	units in mm	general tolerance
1:8	DO NOT SCALE	0.8mm
SIS PRO Display Controller (4x HDMI IN, 2x SDI IN, 10x RJ45 OUT)		



This drawing must not be copied or disclosed without consent of the owner

A3

