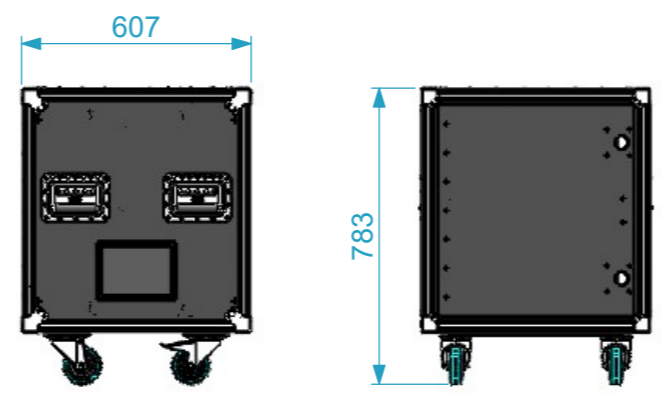


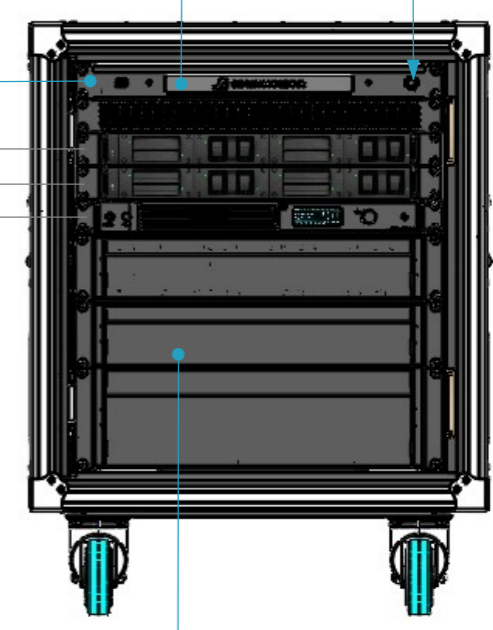
Dimensions

Width	Depth	Height
600	600	380
Weight	Approx. 142.83 Kg	
SISAW5.SPEC.16C12U_2xL6K		12



Costumizable panel with UV imprints
Dimmer control

RKL.103
19" 1U, LED Rack Panel

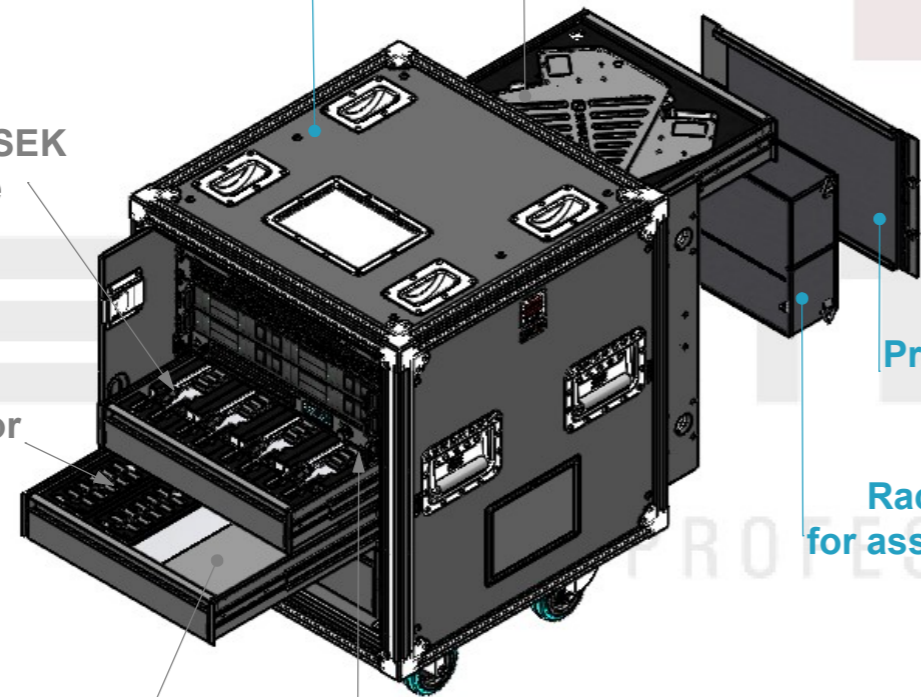


Equipments units for;
* Unit wireless transmission.
* Charger
* Extra Drawer
(Rack units change according with the need)
(*)

(2x) Spectera DAD Antenna (UHF)
Transceiving Spectera Digital Antenna
Directional (DAD)
(*)

19"x14" 2U, Aluminum Rack
Drawer
Black Powder Coated.

RCS.0#60
Rack Compact Sliding, #U
510-ARR
(# Rack units change according with the need)



RKL.104
19" 1/2 U, LED Rack Panel

19"x14" 1U, Aluminum Rack
Drawer
Black Powder Coated.

Dimmer control

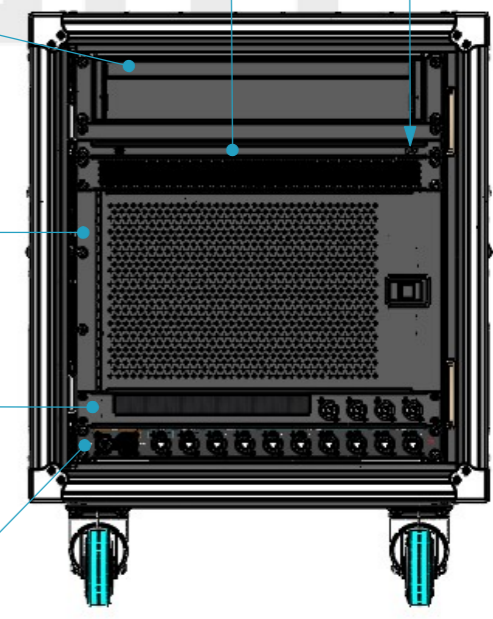
(16x) Spectera SEK
mobil device
(*)

(20x) BA 70
Rechargeable battery for
bodypack
(*)

Protective Filter
Dust

Rack Rail Bag
for assorted material
(*)

19" Hinged Rack Panel, Vented.
Black Powder Coated.
(units change according with the need)

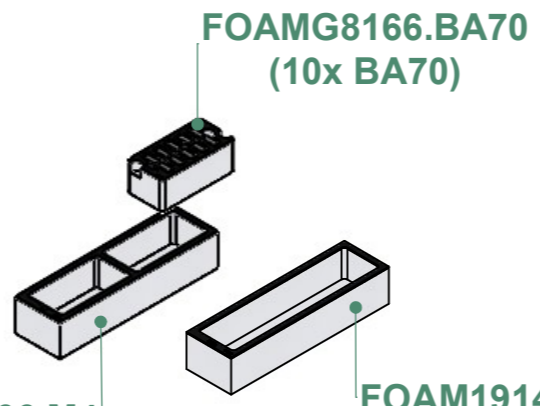


CST.AW04BRU.MDI
(Fully assembled).

CST.AW12.ETH
(Fully assembled).

Free space for either
cable management or in-
ears or headsets

(16x) BA 70
Rechargeable battery for
bodypack
(*)

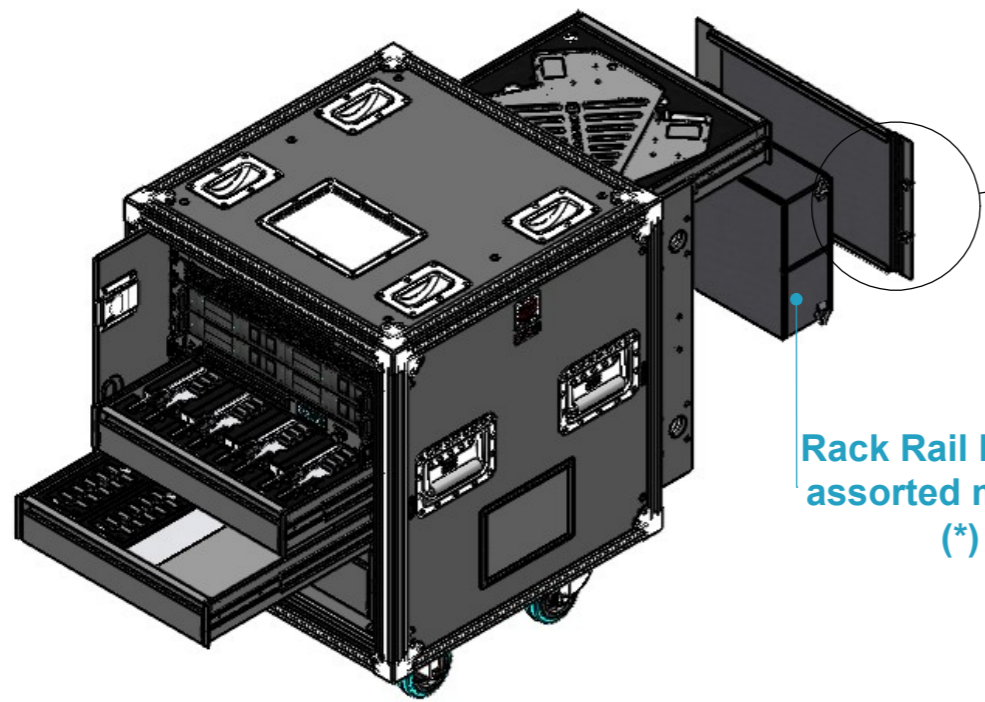


(*) Devices not included
(*) Related optional items, not included

Name	Date
alvaro.santos	29/01/2026
Reference	SISAW5.SPEC.16C12U
Scale	1:10
units in mm	DO NOT SCALE
general tolerance	0.8mm
SIS Audio Wireless, Spectera system (1xSpect, 2xCHR, 2xDAD)	



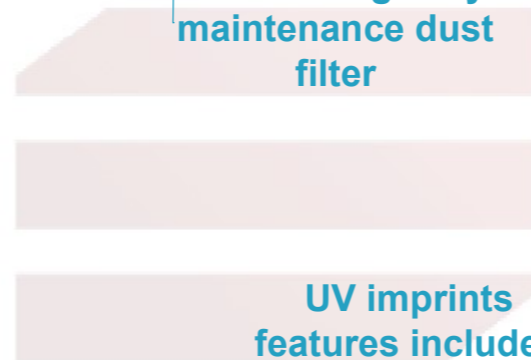
This drawing must not be copied or disclosed without consent of the owner



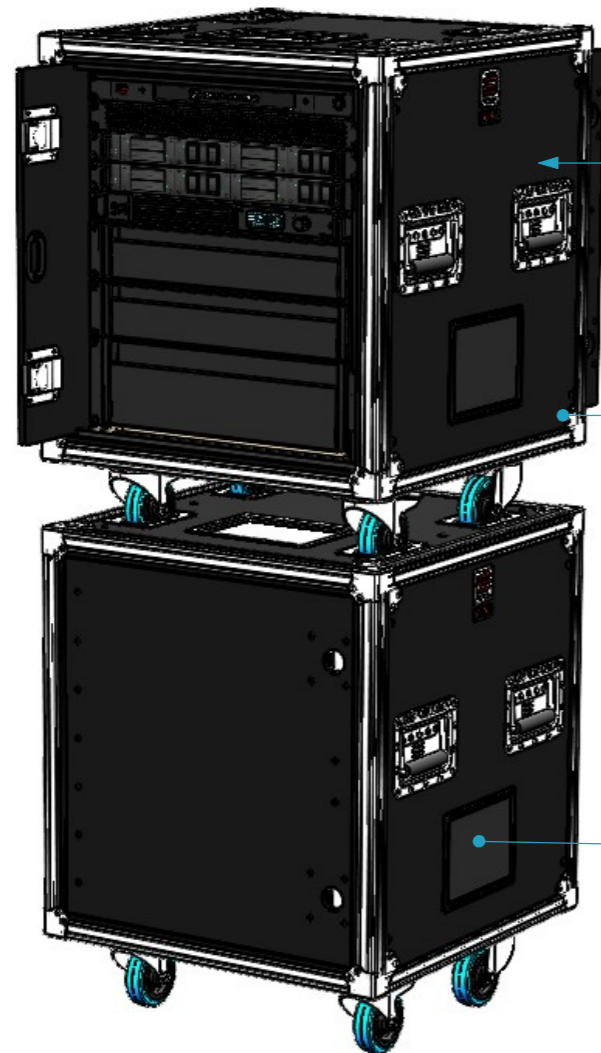
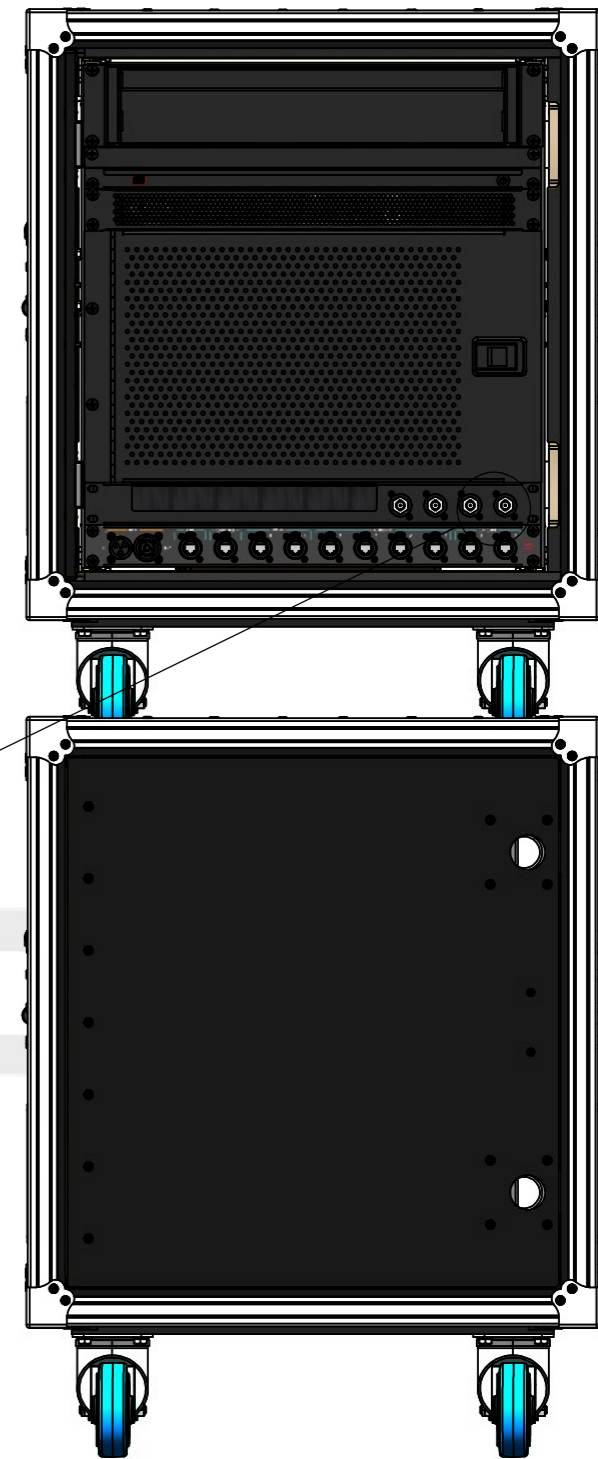
Rack Rail Bag, for assorted material (*)



Side sliding easy maintenance dust filter



UV imprints features included



SISAW5
(Multiple combinations possible)

N° of rack units

All RSS.##60 racks are stackable

Chromatic ID system
ID plate panel with UV features included;
Your Logo,
Activity Sector ID,
Devices Brand and Series.



	Name	Date
Drawn by	alvaro.santos	29/01/2026
Reference	SISAW5.SPEC.16C12U	
Scale	units in mm	general tolerance
1:12	DO NOT SCALE	0.8mm
1st Angle projection	SIS Audio Wireless, Spectera system (1xSpect, 2xCHR, 2xDAD)	



This drawing must not be copied or disclosed without consent of the owner

A3