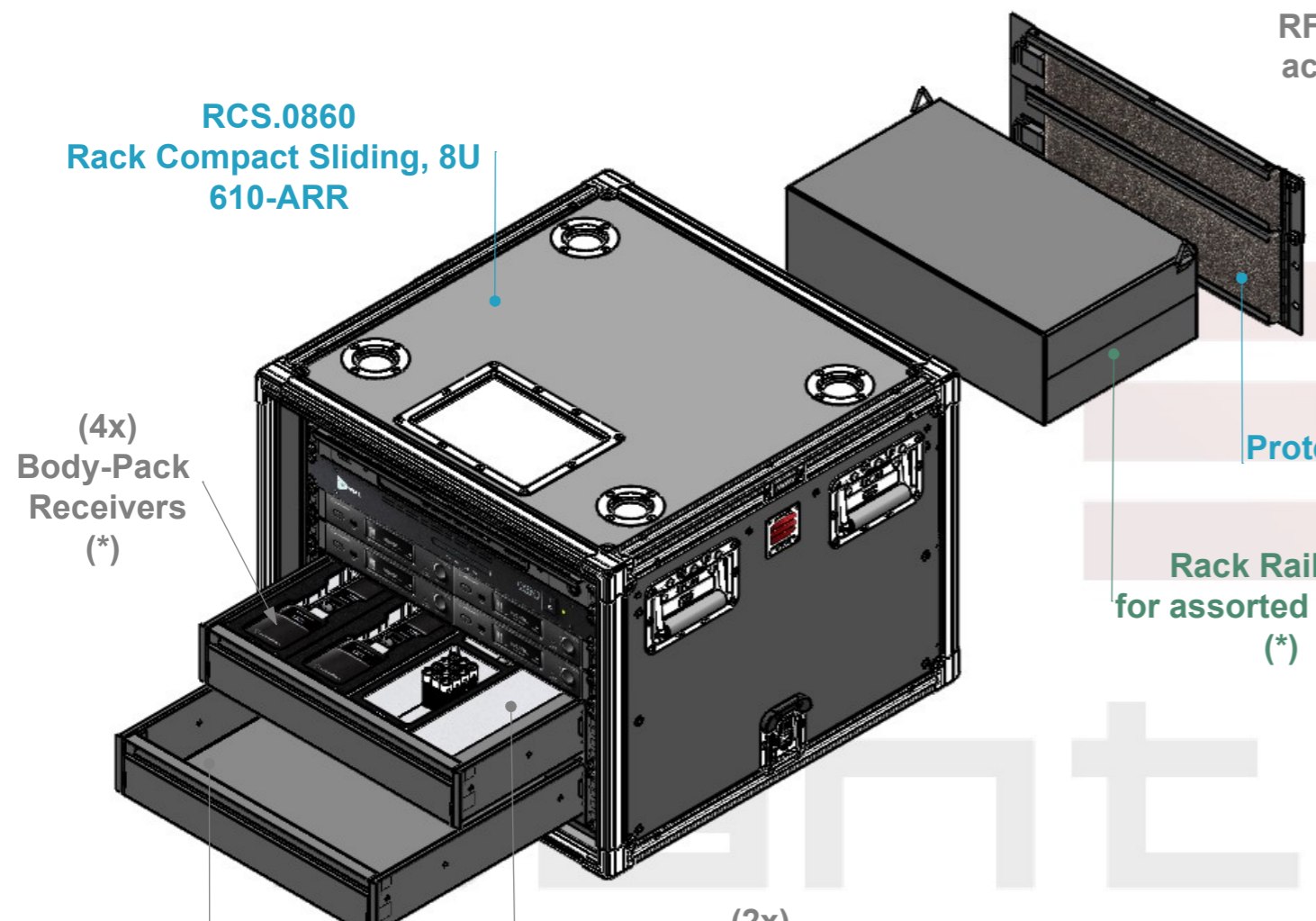


Internal Dimensions		
Width	Depth	Height
600	600	480
FC Weight	Approx. 26.71 Kg	
SISAW3.S3IEM.4C8U		EU / UK / US

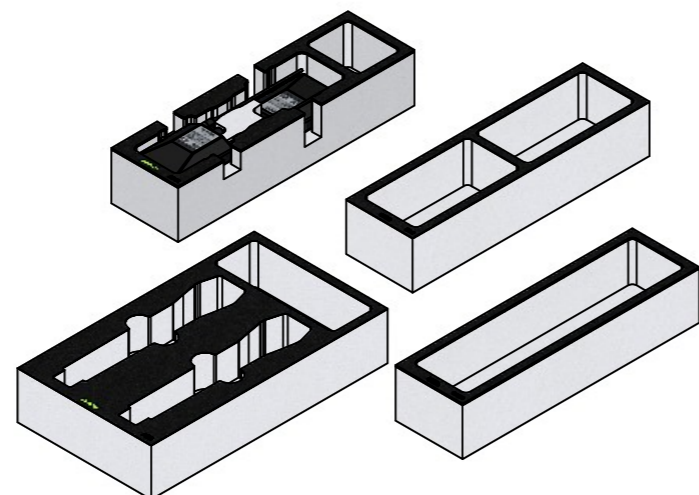


RCS.0860
Rack Compact Sliding, 8U
610-ARR

(4x)
Body-Pack
Receivers
(*)

(2x)
(2x) Foam for utils or assorted
material
(*)

(1x) Extra Drawer for CPBEAM
antenna
(*)



Modular Foams
multiple combinations possible
(Combinations change according with need)

RF VENUE COMBINE4
active IEM transmitter
combiner
(*)

Protective Filter
Dust

Rack Rail Bag
for assorted material
(*)

RKL.103
19" 1U, LED Rack Panel

Audio-Technica
3000 series IEM
(*)

Customizable panel
with UV imprints

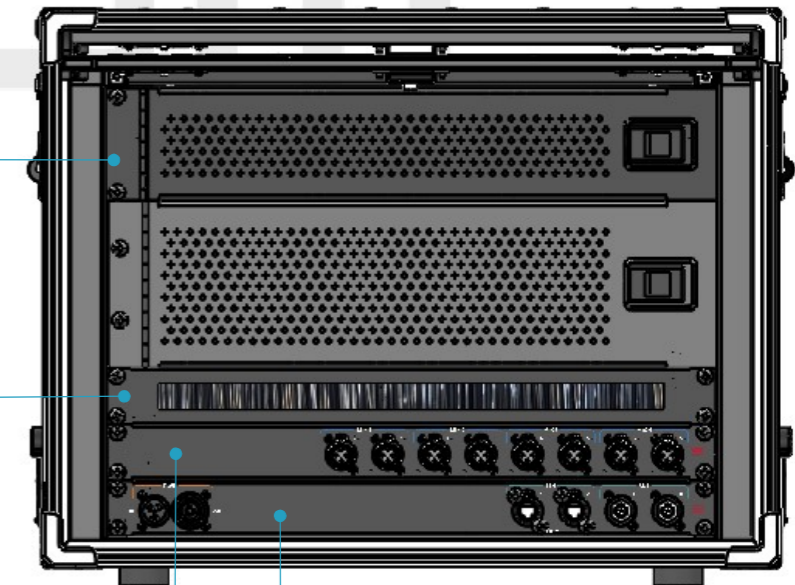
Dimmer control



**19"x14" 2U, Aluminum Rack
Drawer
Black Powder Coated.**

(2x) 19" Hinged Rack Panel,
Vented.
Black Powder Coated.
(units change according with the need)

**High durability anti dust
brush strip
synthetic, anti-static**



CST.AW08.IEM4
CST COM - 4x IEM
Fully assembled.

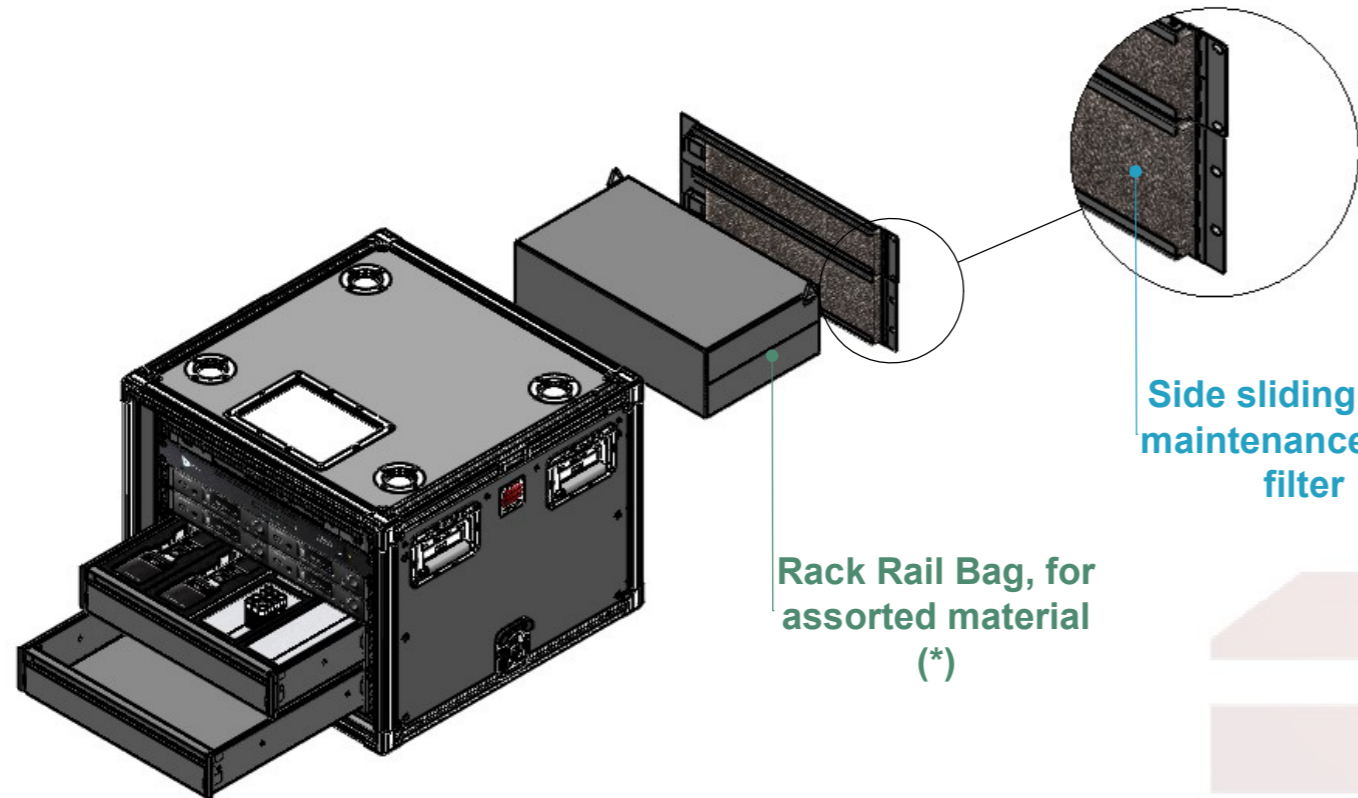
CST.AW06.COM
Pwr True1 + 2x RJ45 + 2x BNC
Fully assembled.

(*) Devices not included
(*) Related optional items, not included

This drawing must not be copied or disclosed without consent of the owner

Drawn by	Name	Date
alvaro.santos	alvaro.santos	30/07/2024
Reference	SISAW3.AD4D.4C7U	
Scale	units in mm	general tolerance
1:6	DO NOT SCALE	0.8mm
1st Angle projection	SIS Audio Wireless, Shure Mic AXIENT 4CH UA874+SBC800	



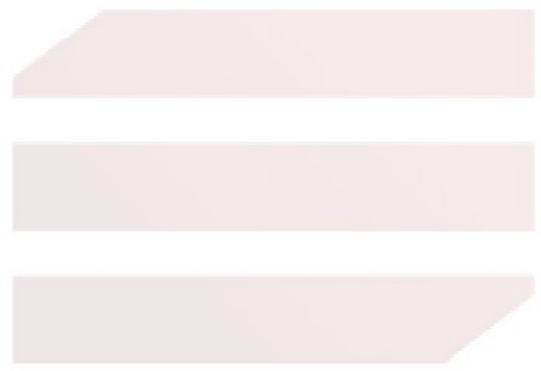


Side sliding easy maintenance dust filter

UV imprints features included

Rack Rail Bag, for assorted material (*)

(*) XBRCS.06060## Trunk for assorted material Available in different heights

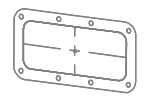


Chromatic ID system ID plate panel with UV features included; Your Logo, Activity Sector ID, Devices Brand and Series.

SISAW3.S3IEM.4C8U
SIS Audio Wireless, 4CH + Combiner + CPBEAM antenna

Nº of rack units
All RCS.##60 racks are stackable

SKTRCS.60
Skate for RCS Compact Sliding rack



(*) Related Optional Items, not included

This drawing must not be copied or disclosed without consent of the owner

Drawn by	Name	Date
alvaro.santos	alvaro.santos	30/07/2024
Reference	SISAW3.AD4D.4C7U	
Scale	units in mm	general tolerance
1:8	DO NOT SCALE	0.8mm
1st Angle projection	SIS Audio Wireless, Shure Mic AXIENT 4CH UA874+SBC800	

