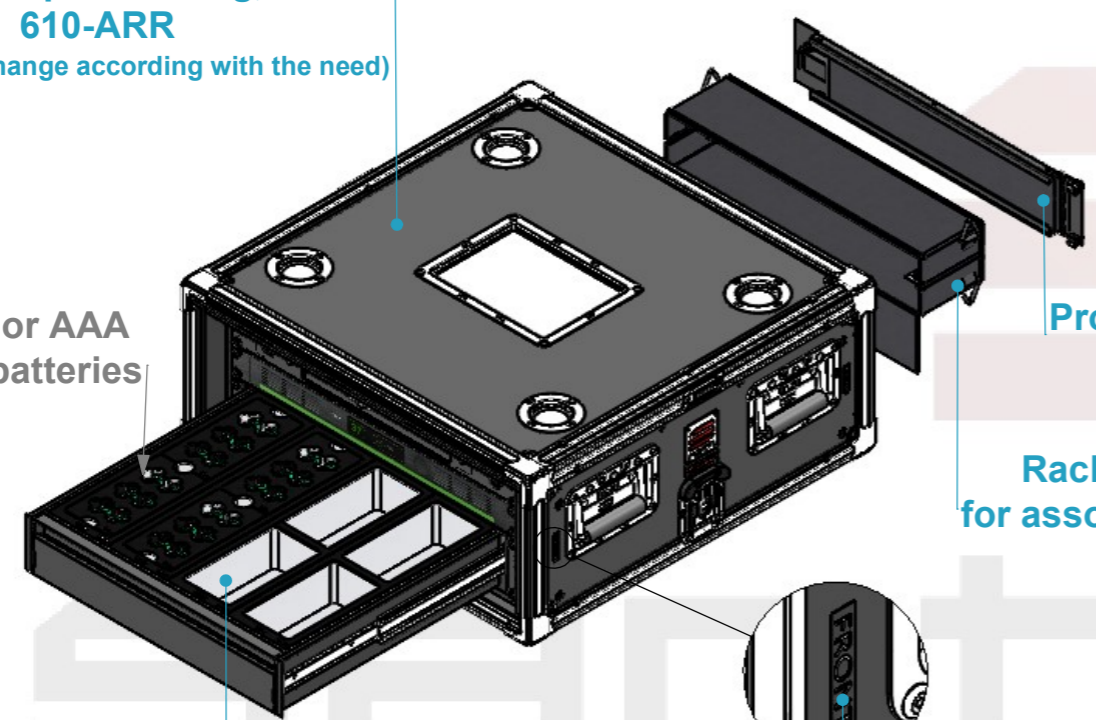


Dimensions		
Width	Depth	Height
600	600	380
Weight	Approx. 25.42 Kg	
SISAW3.KLVR.48B4U		4U

RCS.0#60
Rack Compact Sliding, #U
610-ARR
 (# Rack units change according with the need)

(48x) Klvr AA or AAA
 rechargeable batteries
 (*)



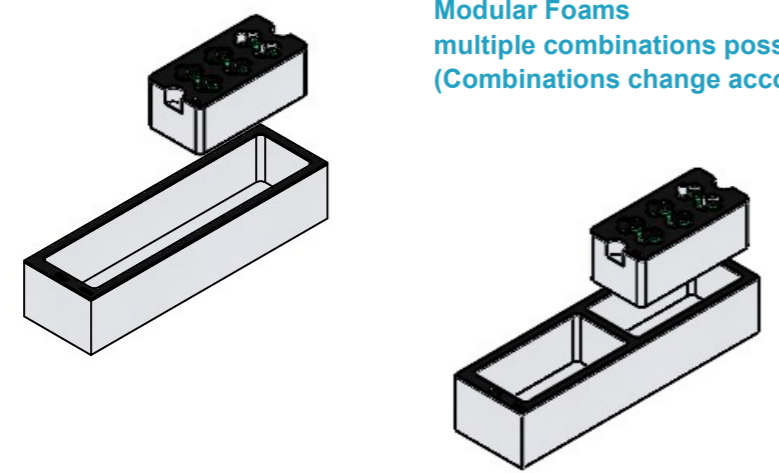
Protective Dust
 Filter

Rack Rail Bag
 for assorted material
 (*)

Free space for Utils
 (*)

Front and Rear
 ID sinaetic

Modular Foams
 multiple combinations possible
 (Combinations change according with need)



(*) Devices not included

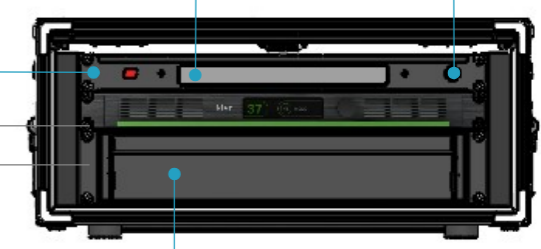
RKL.103
19" 1U, LED Rack Panel

Equipments units for;
 * Charging station
 * Extra Drawer
 (Rack units change according with the need)
 (*)

Costumizable panel
 with UV imprints

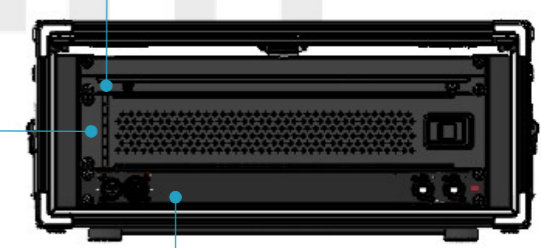
Dimmer
 control

**19"x14" 2U, Aluminum Rack
 Drawer**
Black Powder Coated.



RKL.104
19" ½ U, LED Rack Panel

19" Hinged Rack Panel, Vented.
Black Powder Coated.
 (units change according with the need)

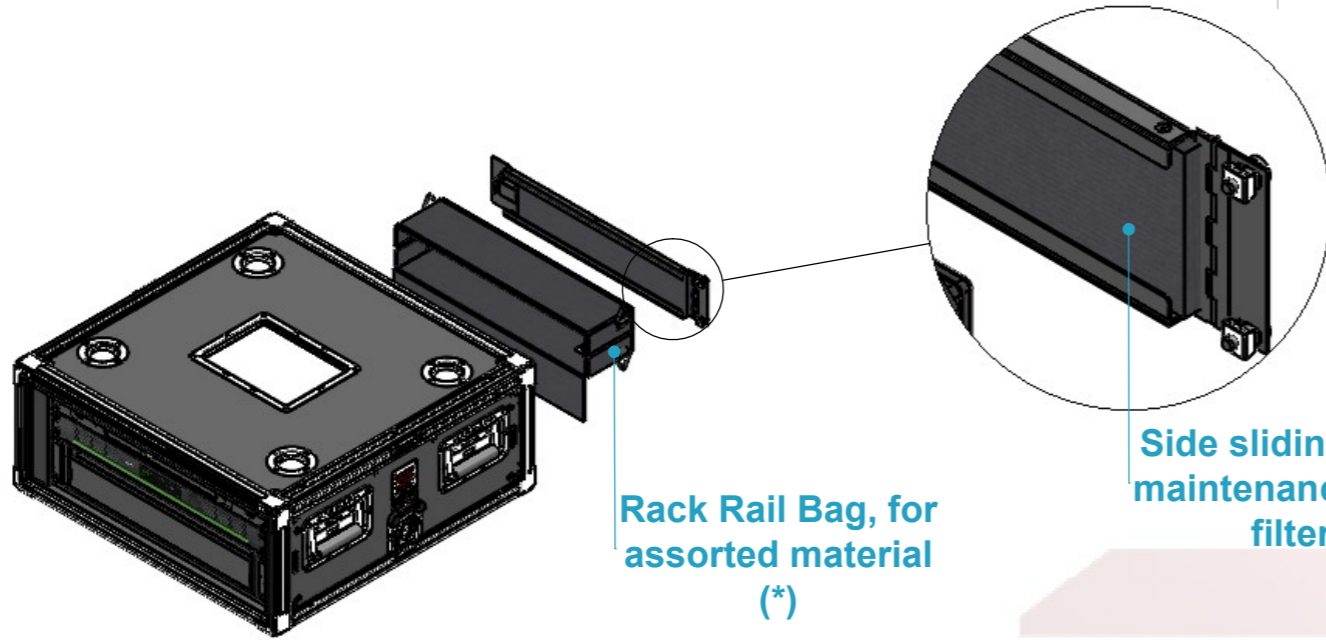


CST.AW04.ETH
 (Fully assembled).

This drawing must not be
 copied or disclosed without
 consent of the owner

Drawn by	Name	Date
alvaro.santos	alvaro.santos	13/08/2025
Reference	SISAW3.KLVR.48B4U	
Scale	units in mm	general tolerance
1:9	DO NOT SCALE	0.8mm
1st Angle projection	SIS Audio Wireless. klvr Charger Pro (48 Batteries)	

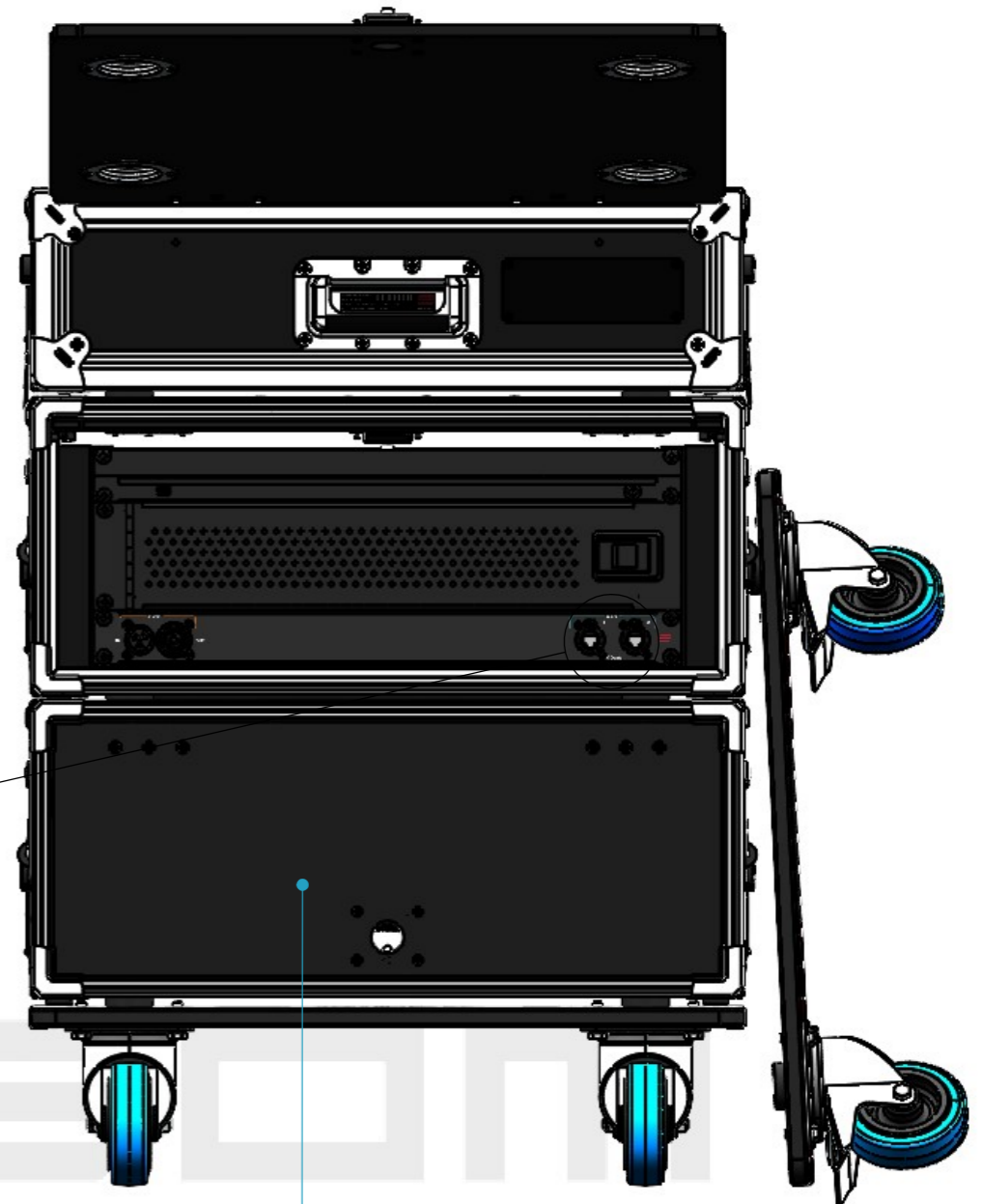




Rack Rail Bag, for assorted material (*)

Side sliding easy maintenance dust filter

UV imprints features included



Chromatic ID system
ID plate panel with UV features included;
Your Logo,
Activity Sector ID,
Devices Brand and Series.

Available in different heights

(*) XBRCS.06060##
Trunk for assorted material

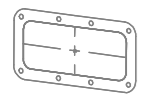
SKTRCS.60
Skate for RCS
Compact Sliding rack



SISAW3.4U
(Multiple combinations possible)

N° of rack units

All RCS.##60 racks are stackable



(*) Related Optional Items, not included

Drawn by	Name	Date
alvaro.santos	alvaro.santos	13/08/2025
Reference	SISAW3.KLVR.48B4U	
Scale	units in mm	general tolerance
1:8	DO NOT SCALE	0.6mm
1st Angle projection	SIS Audio Wireless. klvr Charger Pro (48 Batteries)	



This drawing must not be copied or disclosed without consent of the owner

A3