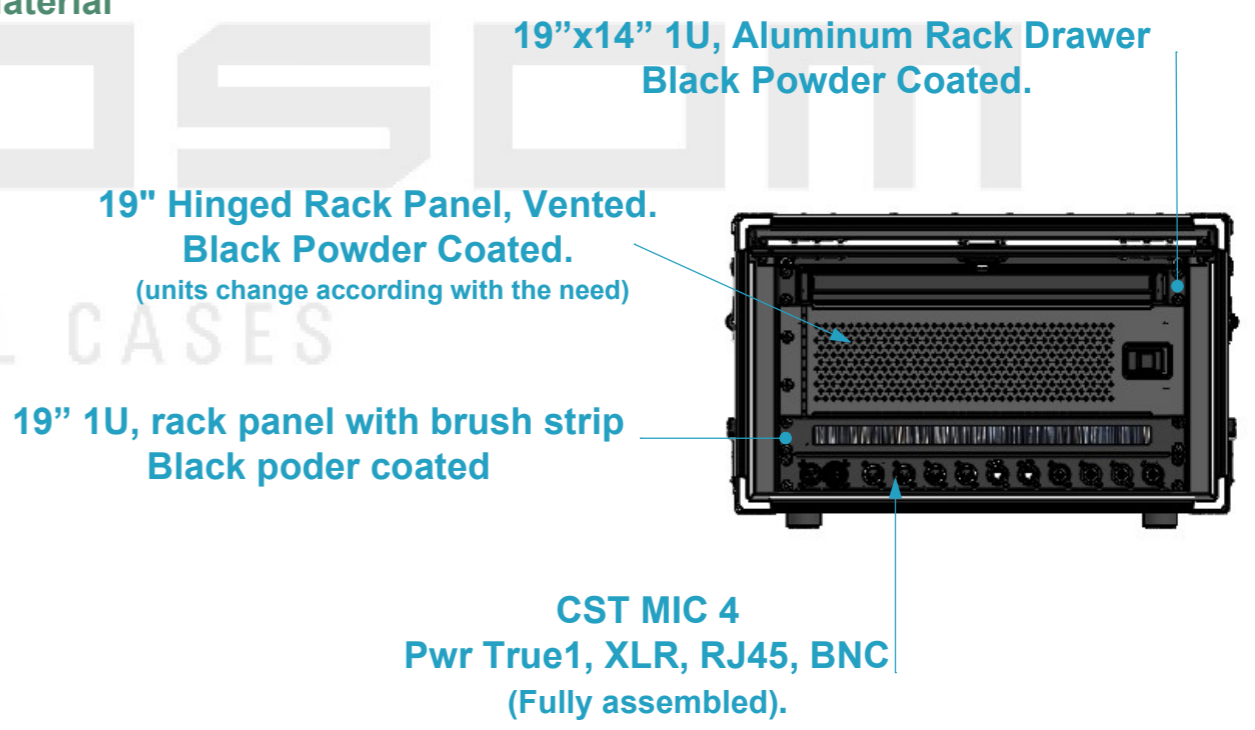
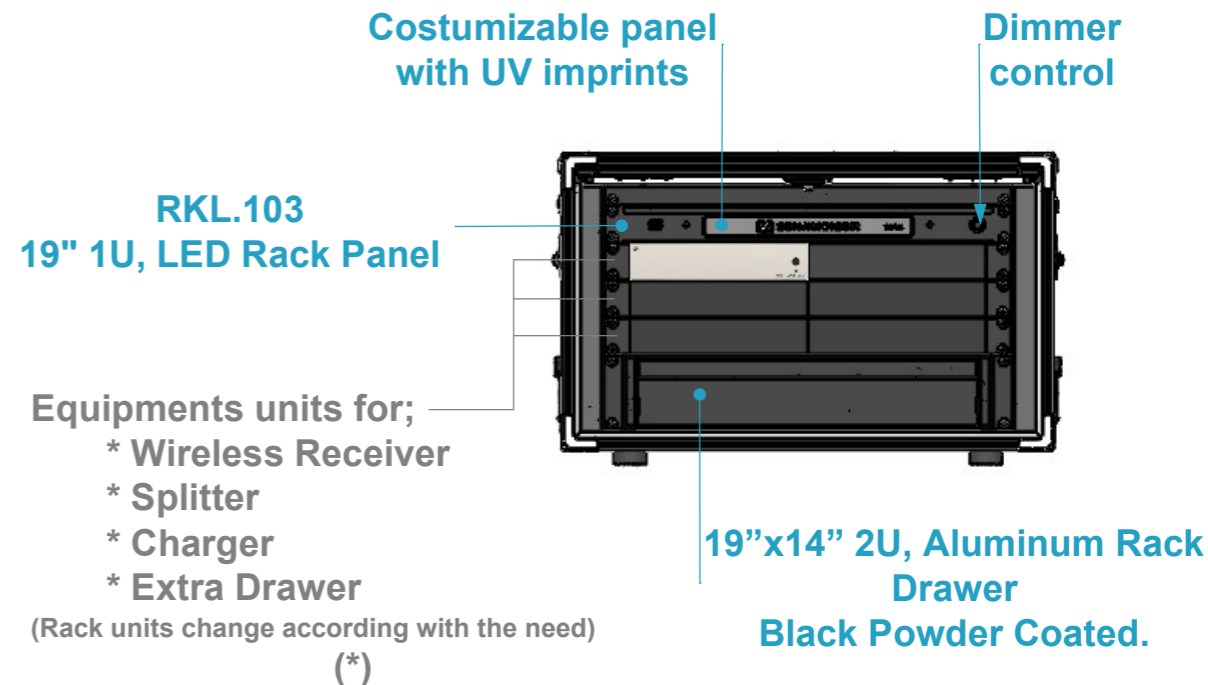
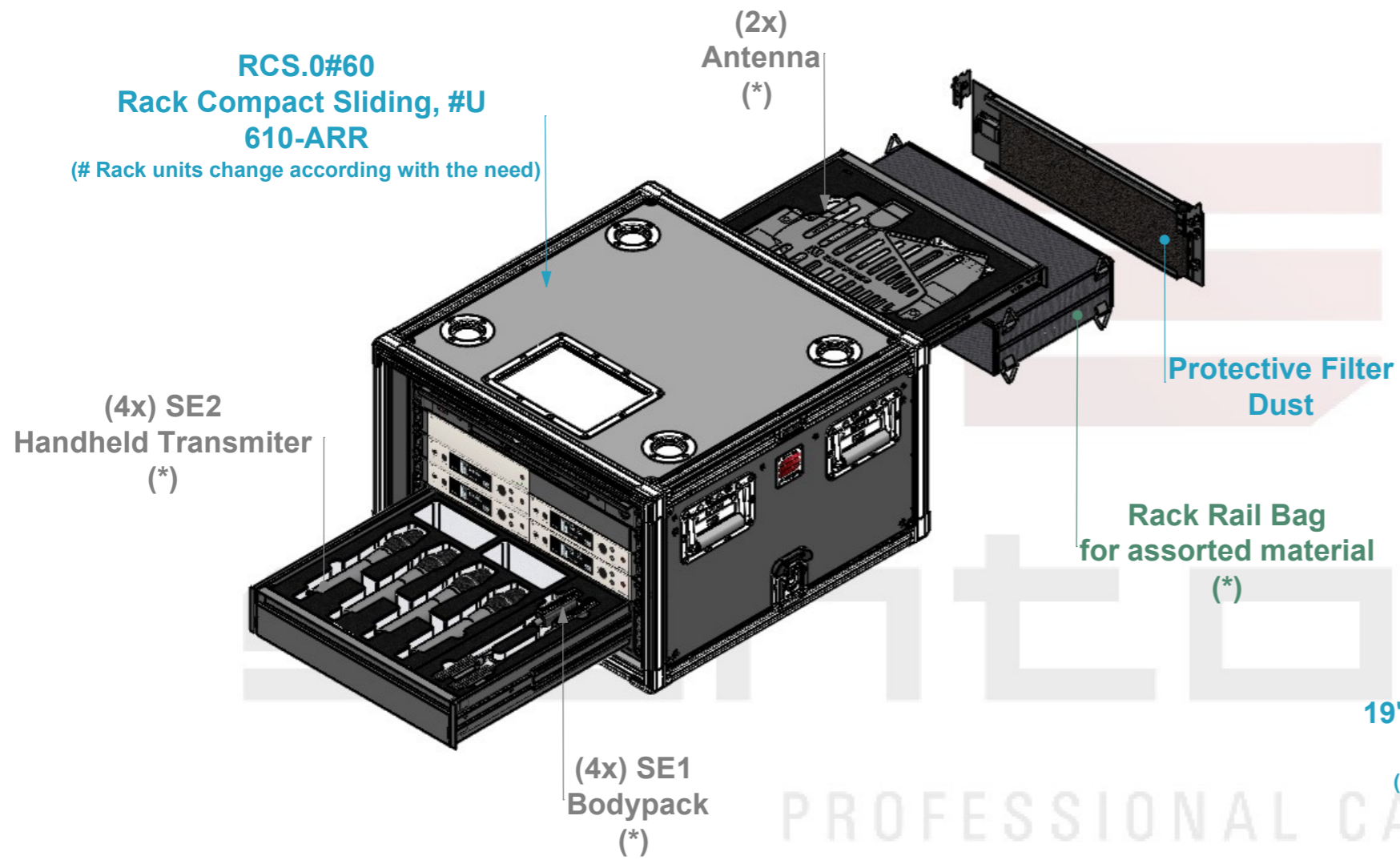


Dimensions

Width	Depth	Height
600	600	380
Weight	Approx. 23.58 Kg	
SIS Audio Wireless, Sennheiser Mic EW-D 4CH		EU/UK/US

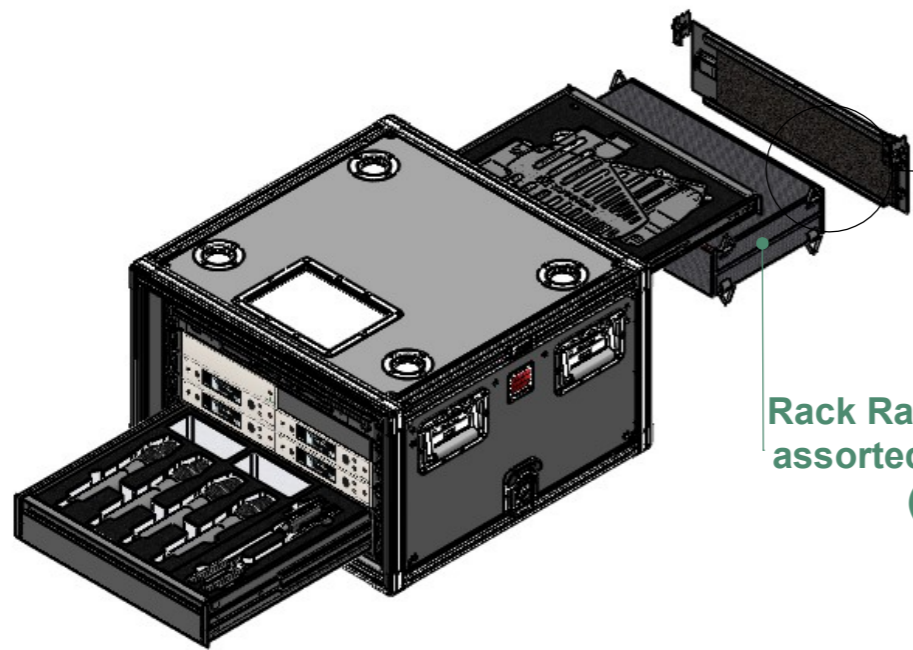


(*) Devices not included
(*) Related optional items, not included

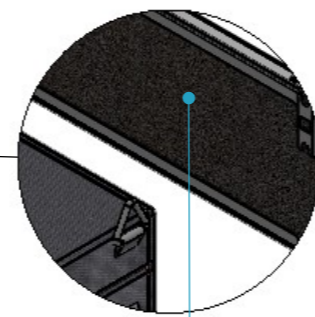
A3 This drawing must not be copied or disclosed without consent of the owner

Drawn by	Name	Date
alvaro.santos	alvaro.santos	18/09/2024
Reference	SISAW3.EWD.4C6U	
Scale	units in mm	general tolerance
1:9	DO NOT SCALE	0.8mm
1st Angle projection	SIS Audio Wireless, Sennheiser Mic EW-D 4CH	





Rack Rail Bag, for assorted material (*)



Side sliding easy maintenance dust filter

UV imprints features included



Chromatic ID system
ID plate panel with UV features included;
Your Logo,
Activity Sector ID,
Devices Brand and Series.

Available in different heights

(*) XBRCS.06060##
Trunk for assorted material

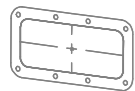
SKTRCS.60
Skate for RCS
Compact Sliding rack



SISAW3
(Multiple combinations possible)

N° of rack units

All RCS.##60 racks are stackable



(*) Related Optional Items, not included

	Name	Date
Drawn by	alvaro.santos	18/09/2024
Reference	SISAW3.EWD.4C6U	
Scale	units in mm	general tolerance
1:8	DO NOT SCALE	0.8mm
1st Angle projection	SIS Audio Wireless, Sennheiser Mic EW-D 4CH	



This drawing must not be copied or disclosed without consent of the owner

A3