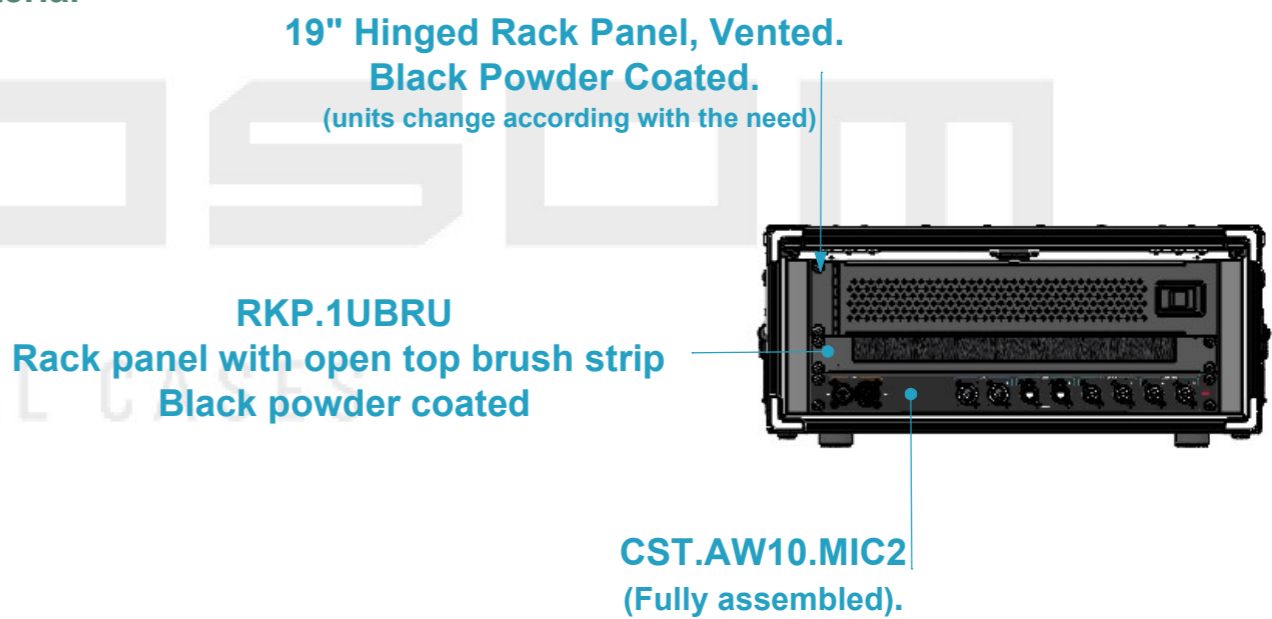
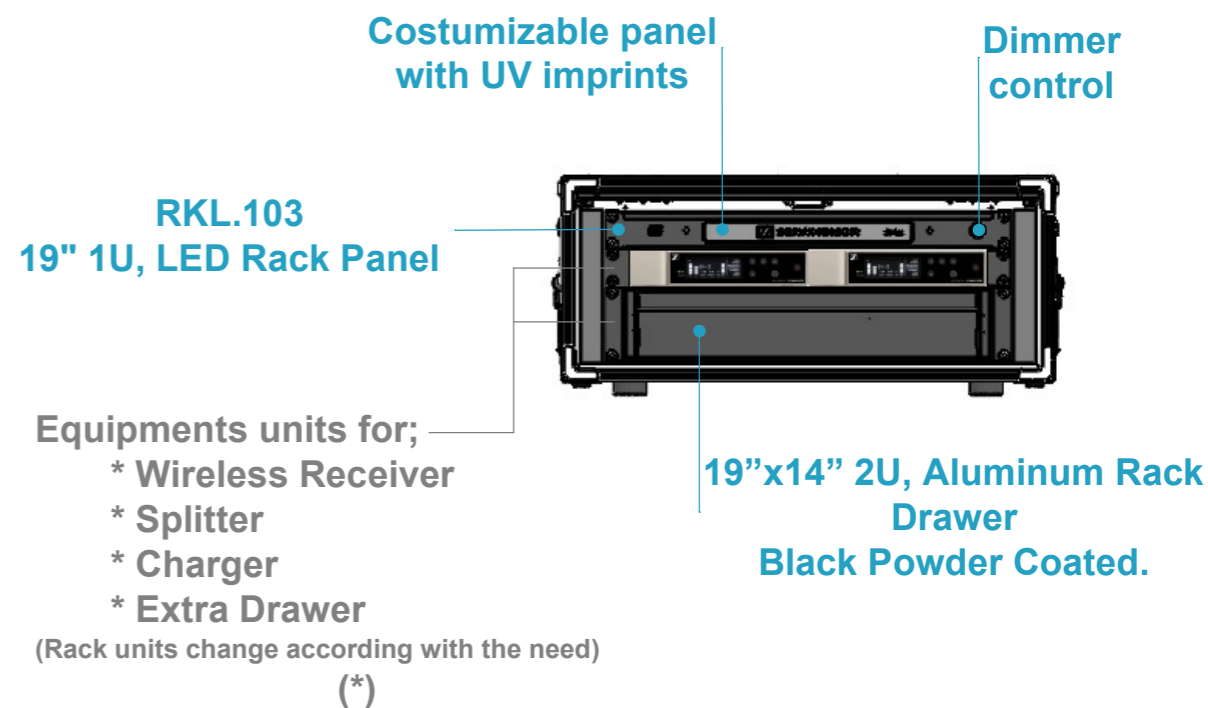
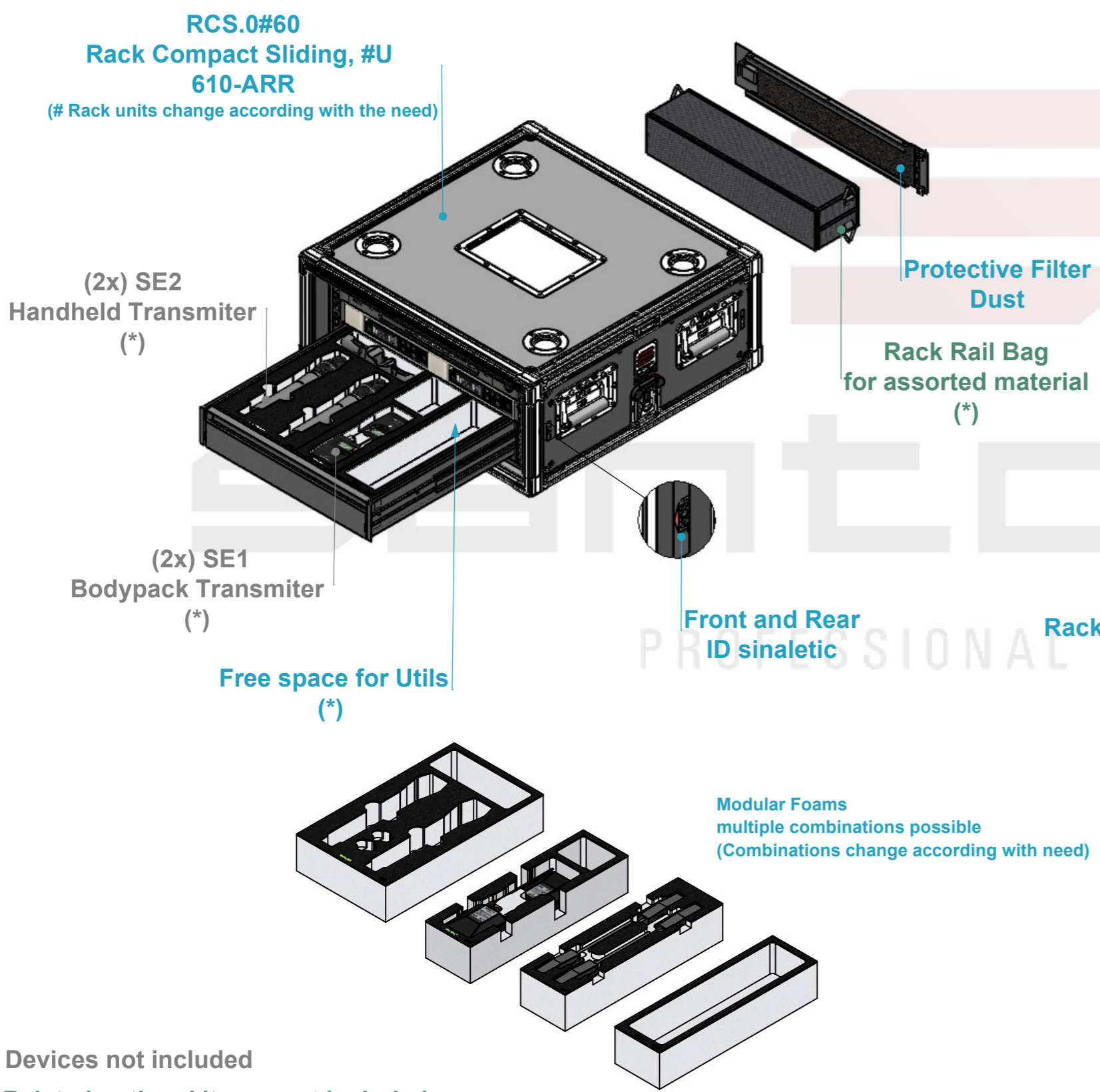



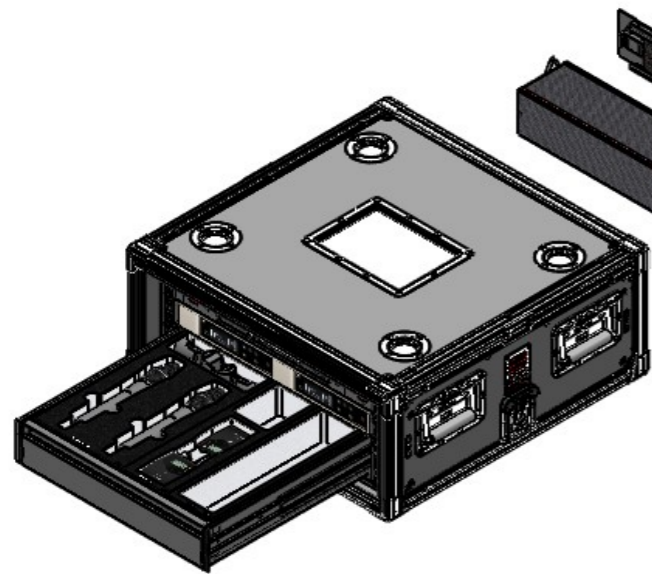
Dimensions

Width	Depth	Height
600	600	380
Weight	Approx. 20.62 Kg	
SISAW3.EWD.2C4U_2.4GHz		4U

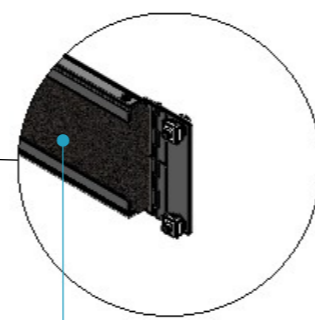


(*) Devices not included
(*) Related optional items, not included

A3	This drawing must not be copied or disclosed without consent of the owner	1st Angle projection	Scale 1:9	units in mm DO NOT SCALE	general tolerance 0.8mm
		Reference	SISAW3.EWD.2C4U		
Name		Date		 PROFESSIONAL CASES	
Drawn by		alvaro.santos 17/12/2024			



Rack Rail Bag, for assorted material (*)



Side sliding easy maintenance dust filter

UV imprints features included



Available in different heights

(*) XBRCS.06060##
Trunk for assorted material

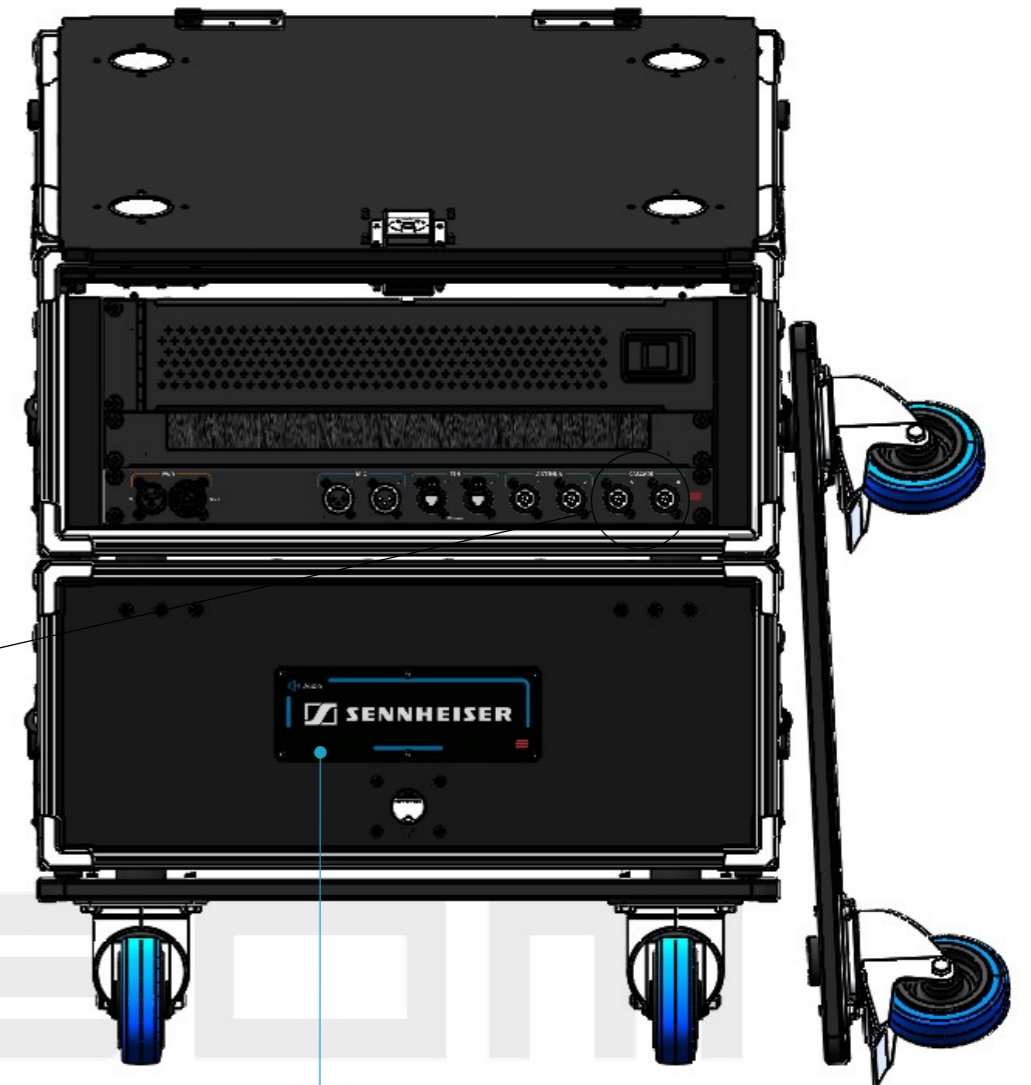
SKTRCS.60
Skate for RCS
Compact Sliding rack



SISAW3
(Multiple combinations possible)

N° of rack units

All RCS.##60 racks are stackable



Chromatic ID system
ID plate panel with UV features included;
Your Logo,
Activity Sector ID,
Devices Brand and Series.

(*) Related Optional Items, not included

This drawing must not be copied or disclosed without consent of the owner



Scale 1:8

units in mm
DO NOT SCALE
general tolerance 0.8mm

SIS Audio Wireless, Sennheiser
RF Mic EWD 2CH



A3