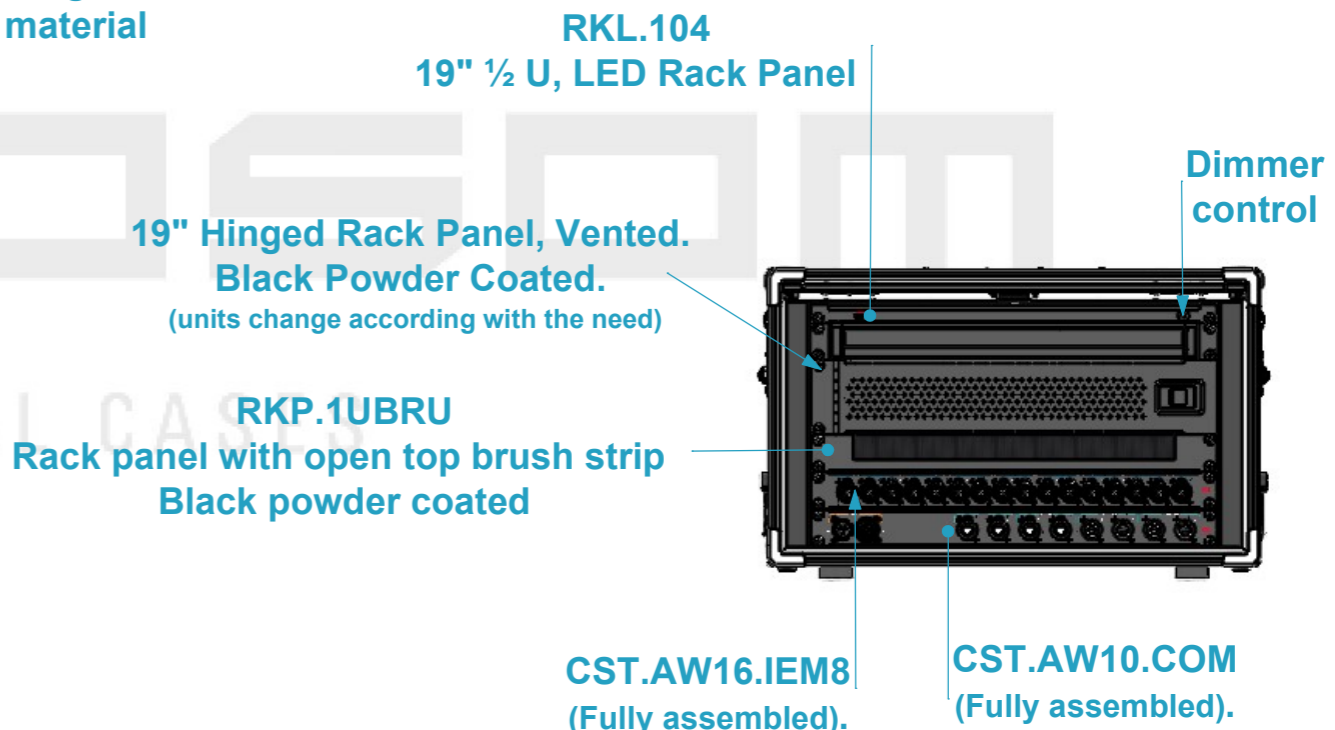
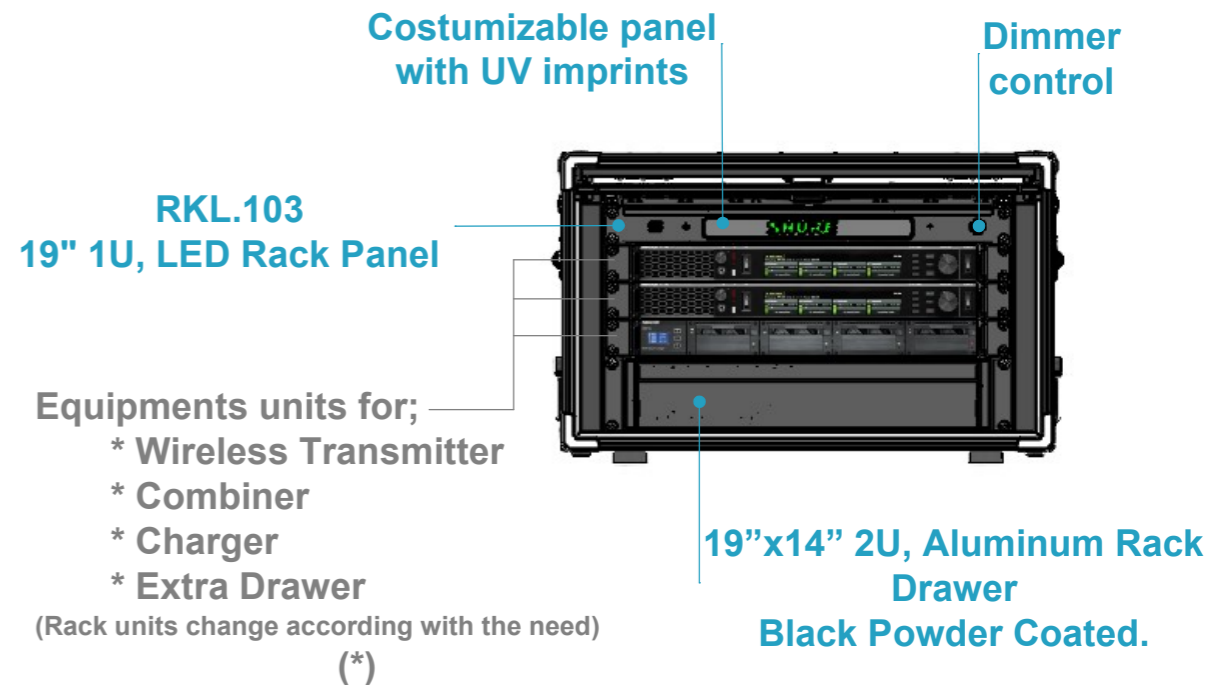
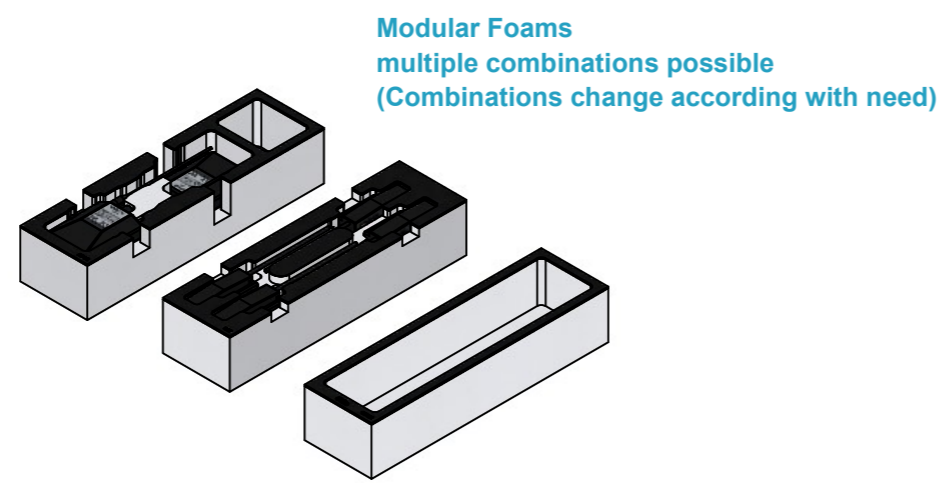
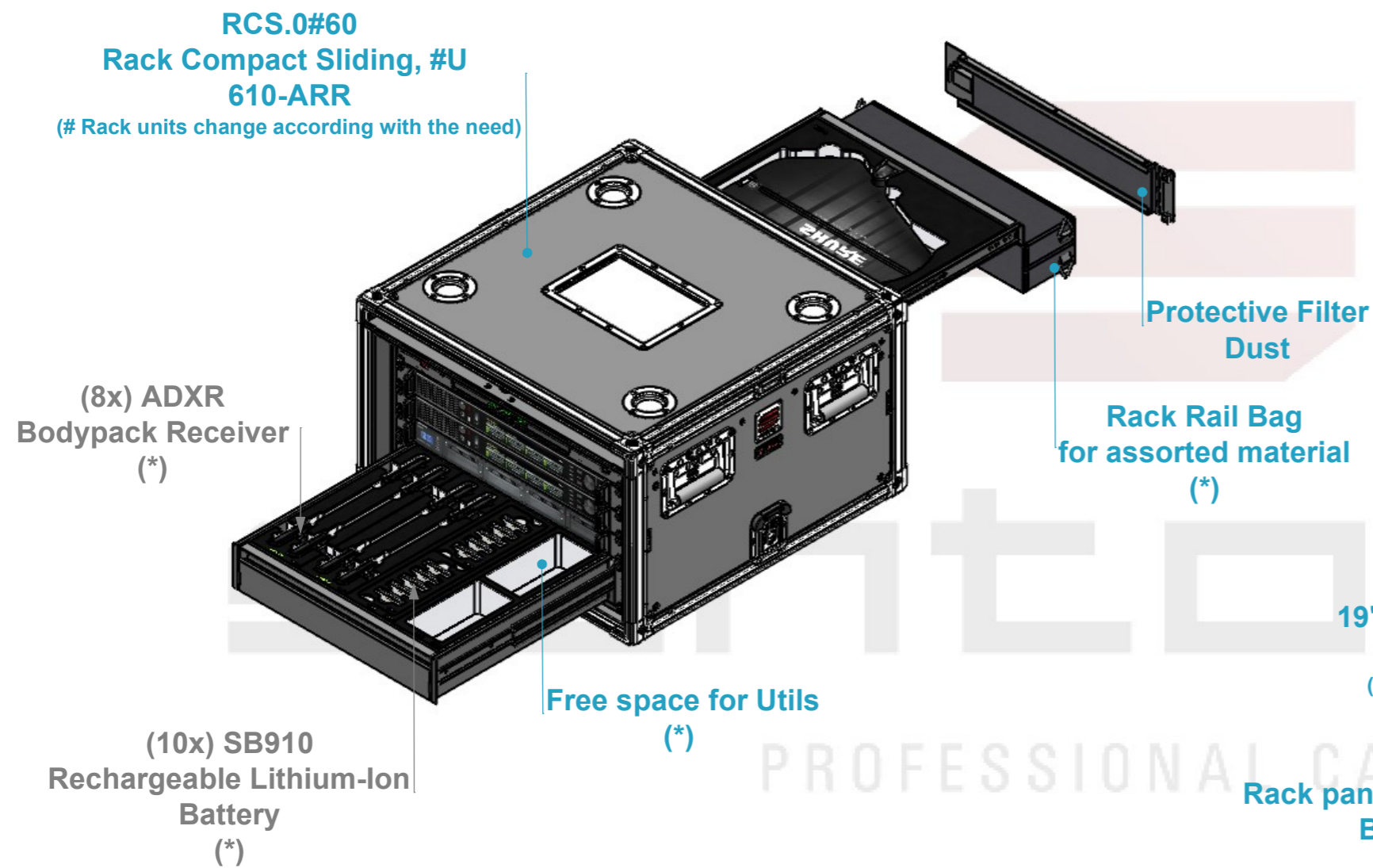
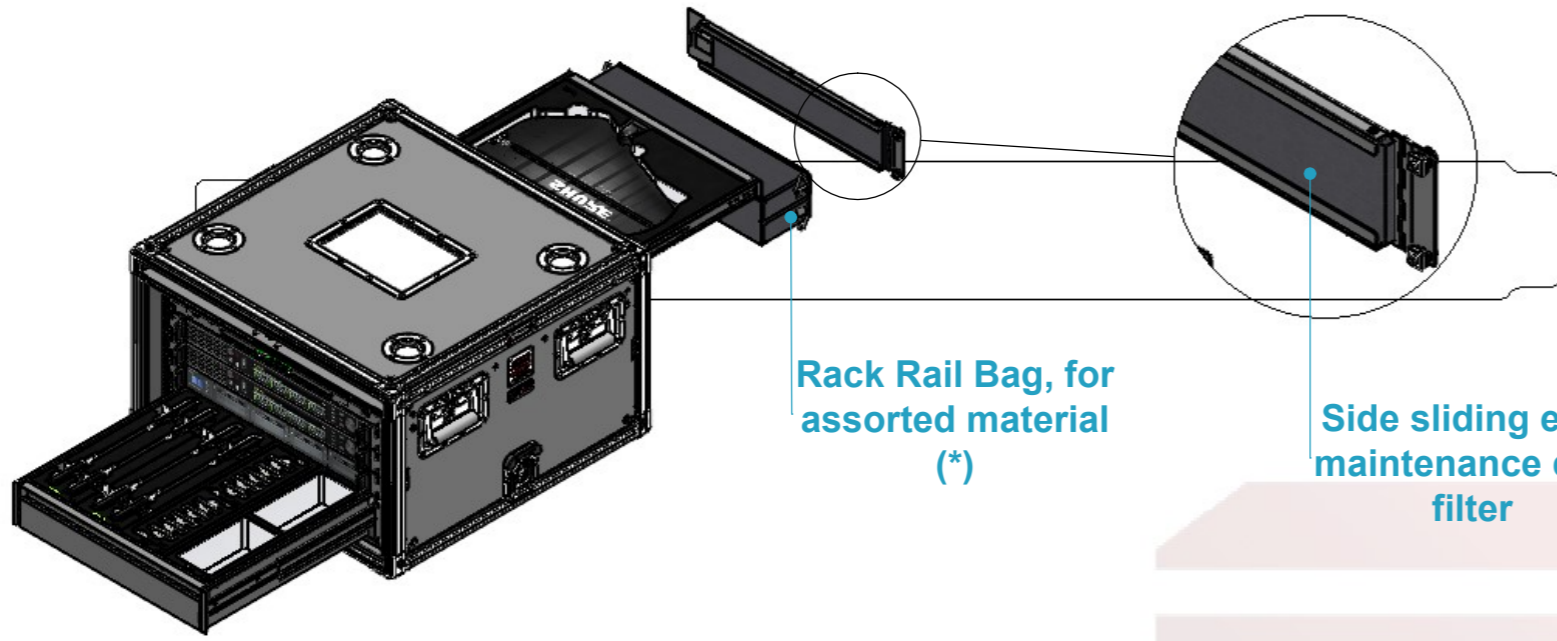


Dimensions		
Width	Depth	Height
600	600	380
Weight	Approx. 30.82 Kg	
SISAW3.ADTQ.8C6U_SBRC_PA805		6U



(*) Devices not included

A3	This drawing must not be copied or disclosed without consent of the owner	1st Angle projection	Scale 1:9	units in mm DO NOT SCALE	general tolerance 0.8mm	 santosom PROFESSIONAL CASES
		Drawn by alvaro.santos	Date 05/01/2026	Reference SISAW3.ADTQ.8C6U_SBRC_PA805	SIS Audio Wireless, Shure IEM PSM AXIENT 8CH	



Rack Rail Bag, for assorted material (*)

Side sliding easy maintenance dust filter

UV imprints features included



Chromatic ID system ID plate panel with UV features included; Your Logo, Activity Sector ID, Devices Brand and Series.

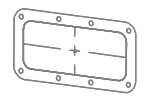
Available in different heights
(*) XBRC.S.06060##
Trunk for assorted material

SKTRCS.60
Skate for RCS
Compact Sliding rack



SISAW3
(Multiple combinations possible)

N° of rack units
All RCS.##60 racks are stackable



(*) Related Optional Items, not included

Drawn by	Name	Date
alvaro.santos	alvaro.santos	05/01/2026
Reference	SISAW3.ADTQ.8C6U_SBR_C_PA805	
Scale	units in mm	general tolerance
1:8	DO NOT SCALE	0.8mm
SIS Audio Wireless, Shure IEM PSM AXIENT 8CH		



This drawing must not be copied or disclosed without consent of the owner



A3