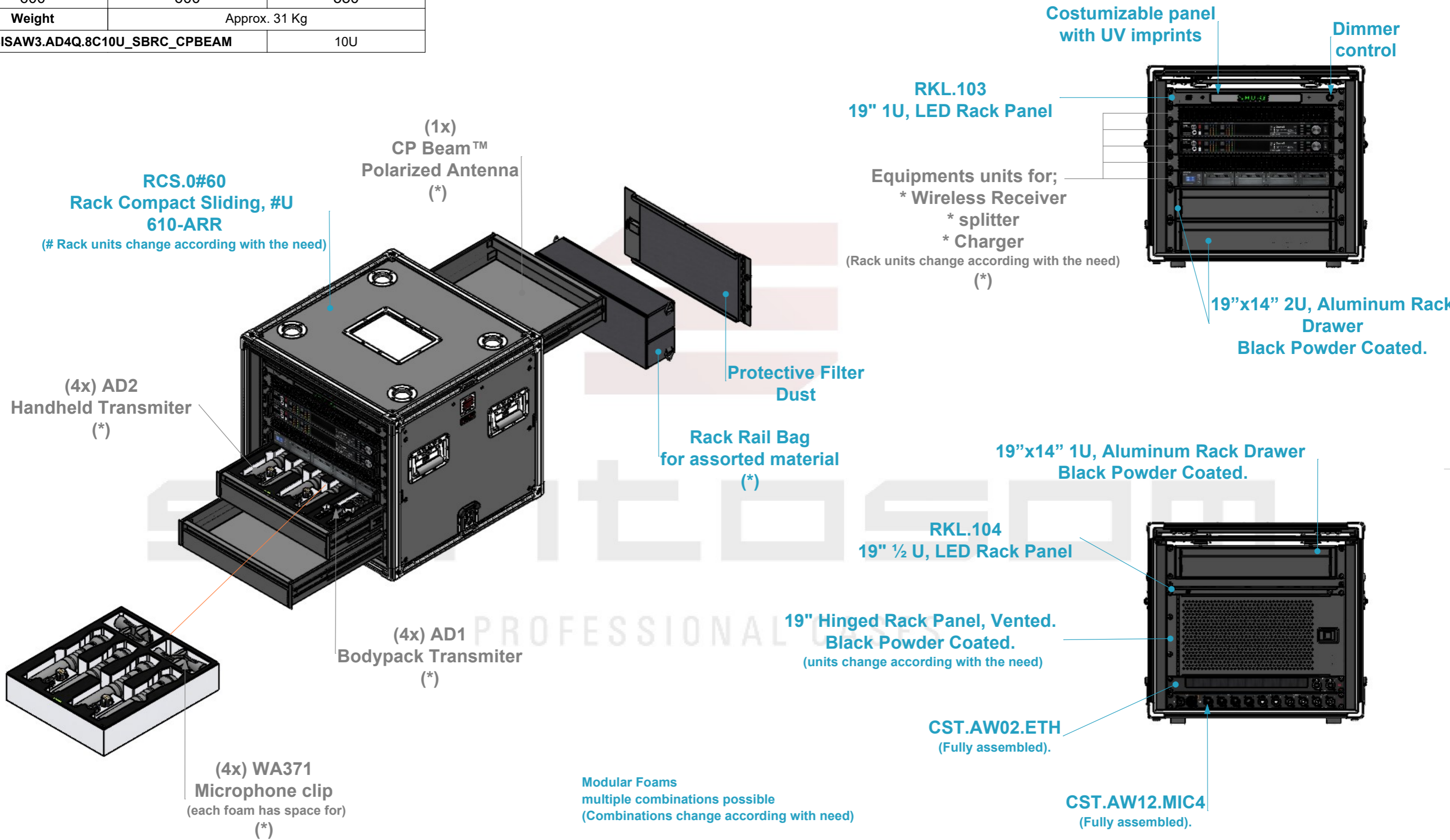
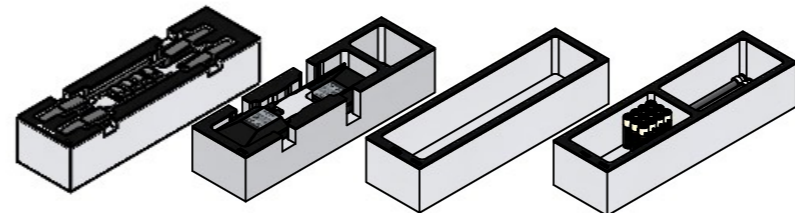


### Dimensions

Width	Depth	Height
600	600	550
Weight	Approx. 31 Kg	
SISAW3.AD4Q.8C10U_SBRC_CPBEAM		10U



(\*) Devices not included  
 (\*) Related optional items, not included



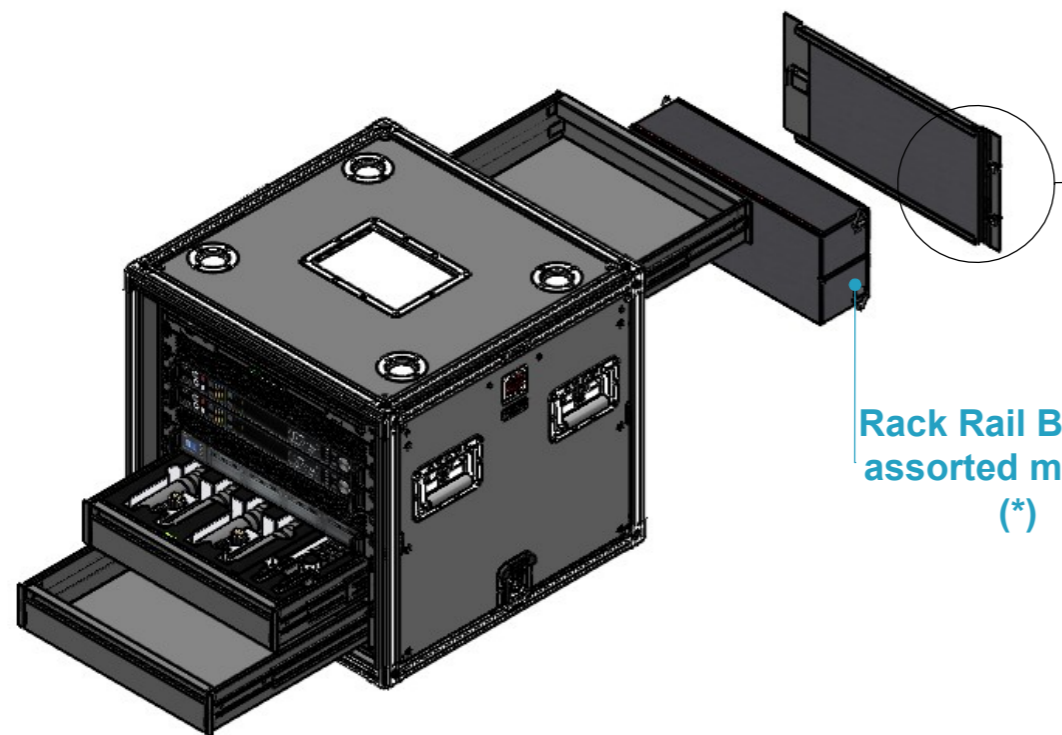
Name	Date
alvaro.santos	04/05/2026
Reference	SISAW3.AD4D.4C10U
Scale	1:10
units in mm	DO NOT SCALE
general tolerance	0.8mm
SIS Audio Wireless, Shure Mic AXIENT 4CH (SBRC_CPBEAM)	



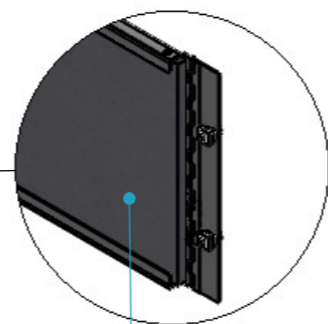
This drawing must not be copied or disclosed without consent of the owner



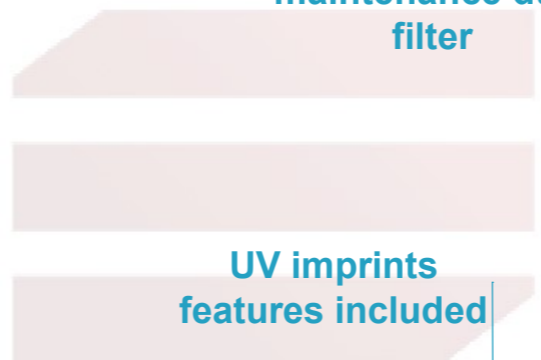
A3



Rack Rail Bag, for assorted material (\*)



Side sliding easy maintenance dust filter



UV imprints features included



Chromatic ID system ID plate panel with UV features included; Your Logo, Activity Sector ID, Devices Brand and Series.



Available in different heights  
(\*) XBRCS.06060##  
Trunk for assorted material



SKTRCS.60  
Skate for RCS  
Compact Sliding rack

SISAW3  
(Multiple combinations possible)

Nº of rack units  
All RCS.##60 racks are stackable

(\*) Related Optional Items, not included

Drawn by	Name	Date
alvaro.santos	alvaro.santos	04/05/2026
Reference	SISAW3.AD4D.4C10U	
Scale	units in mm	general tolerance
1:10	DO NOT SCALE	0.8mm
1st Angle projection	SIS Audio Wireless, Shure Mic AXIENT 4CH (SBR_CPBEM)	



This drawing must not be copied or disclosed without consent of the owner

A3