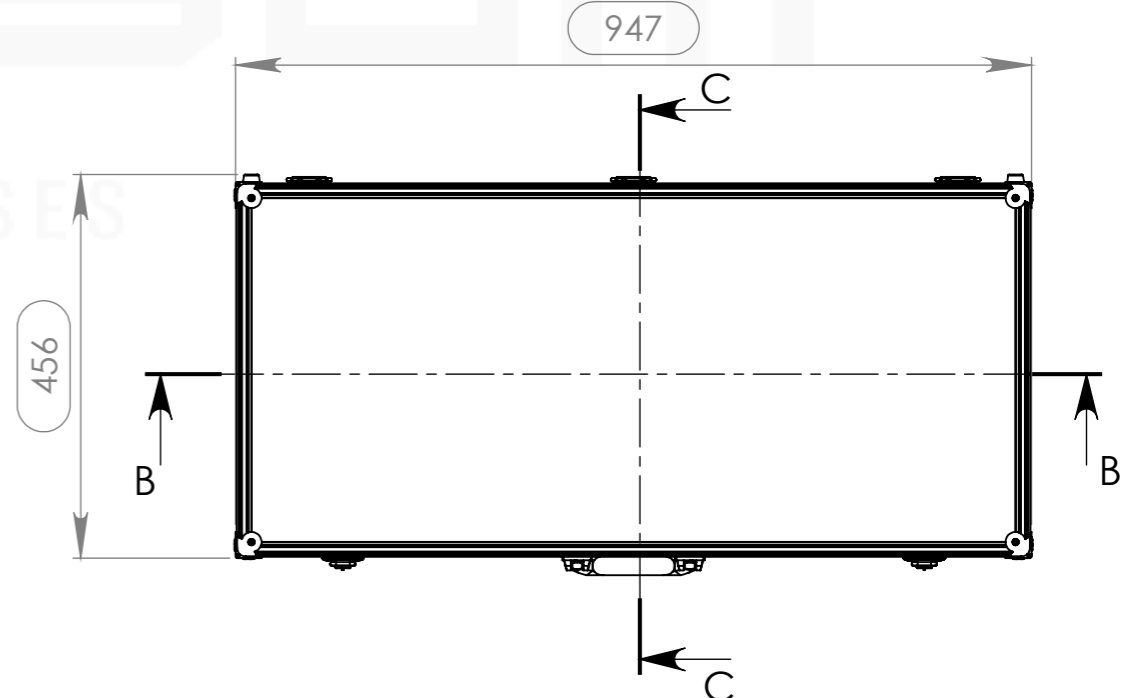
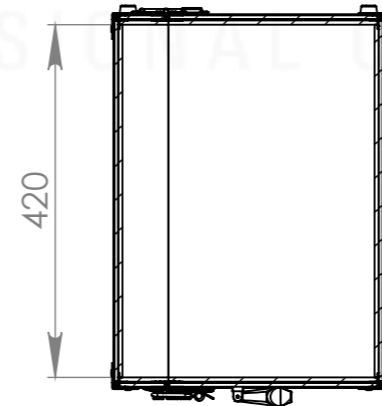
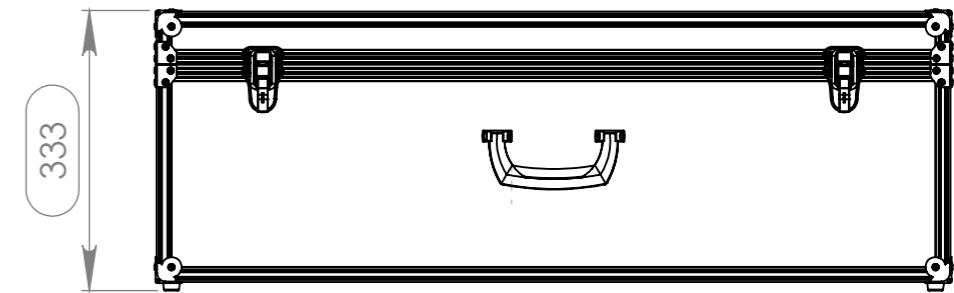
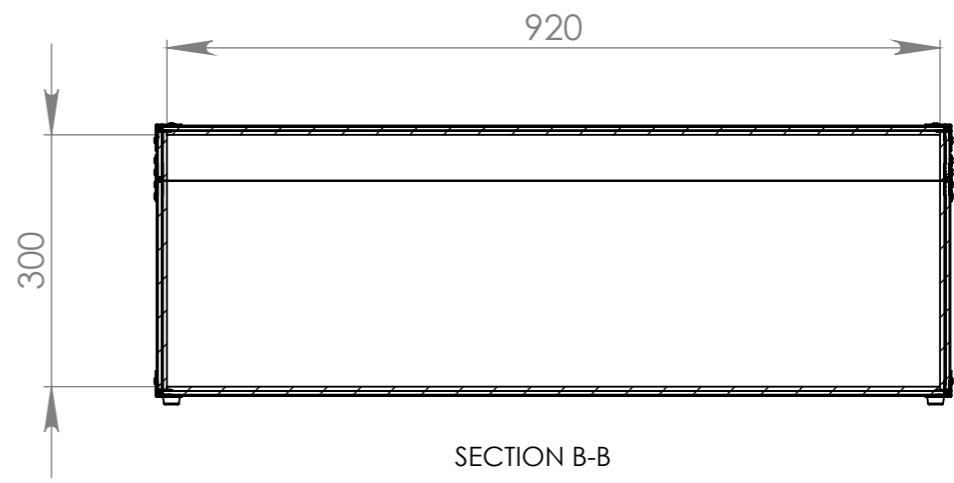
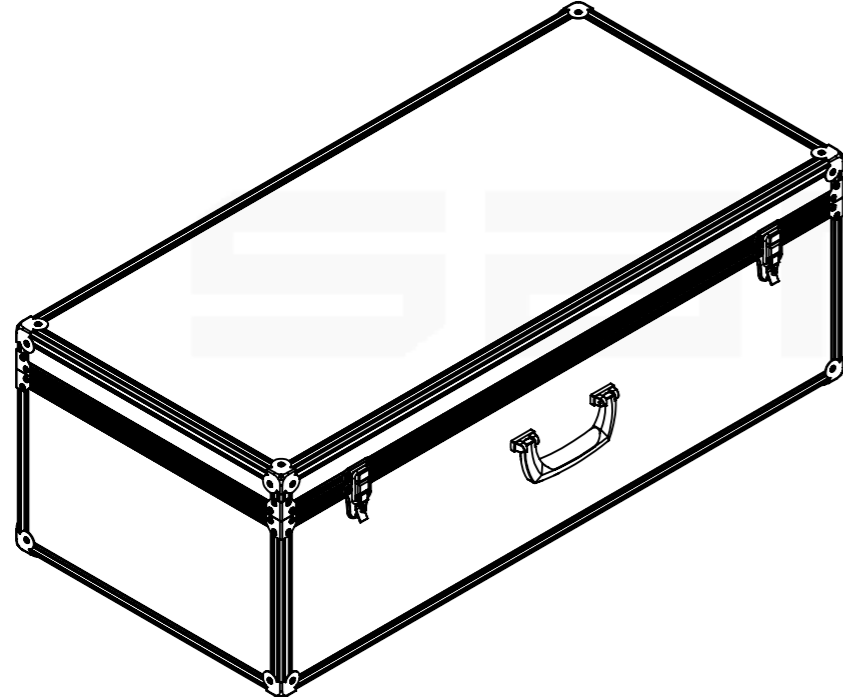
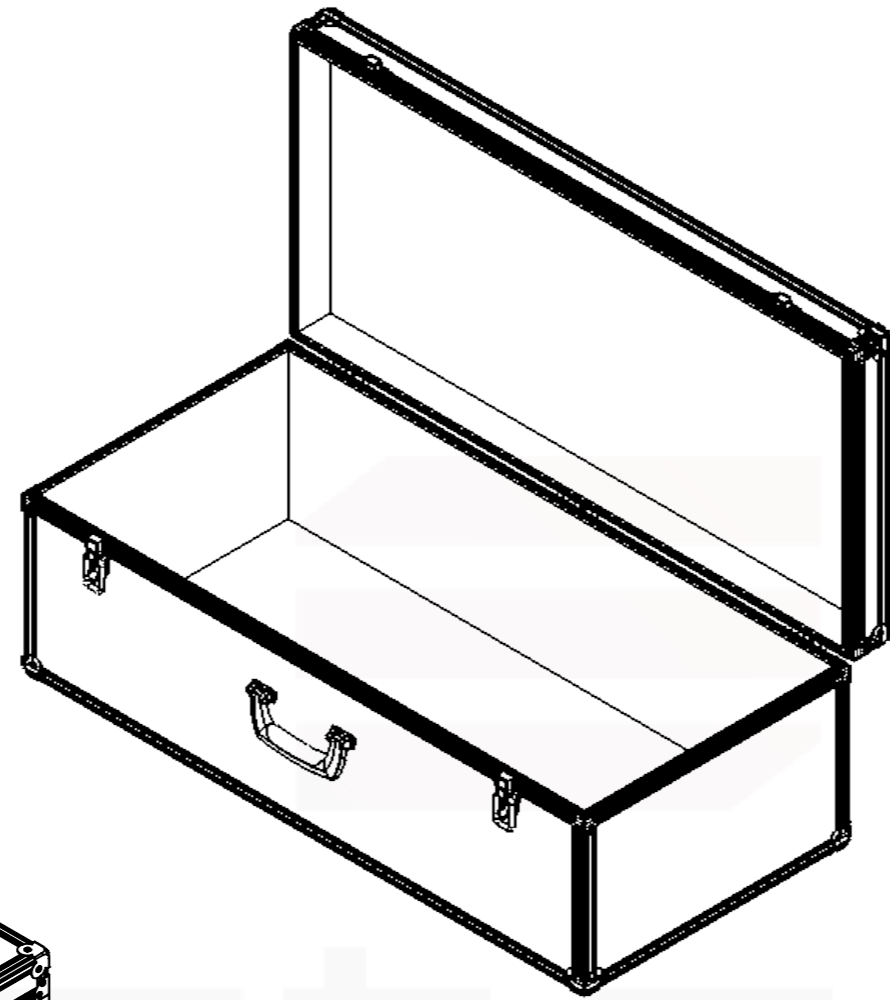


Internal Dimensions

Width	Depth	Height
920	420	300
Weight	Approx. 6 Kg	
Wall Thickness		4.5mm



Qty	Ref.	Description
8	4056	Small case corner - 3 leg - 1 mm Steel, chrome plated
8	4046	Small corner brace - suits 6136 casemaker
8	4903	Rubber foot 20 x 9 mm, black
3	2524	Heavy Duty Strut Hinge
2	16021	Large padlocking drawbolt
1	H1432	Briefcase Handles - Matt Chrome with Black Grip

This drawing must not be copied or disclosed without consent of the owner

Drawn by	Name	Date
alexandre	alexandre	03/10/2016
Reference	SCPS.0920	
Scale	units in mm	general tolerance
1:9	DO NOT SCALE	0.8mm
FLIGHTCASE, 920X420X300MM		



A3