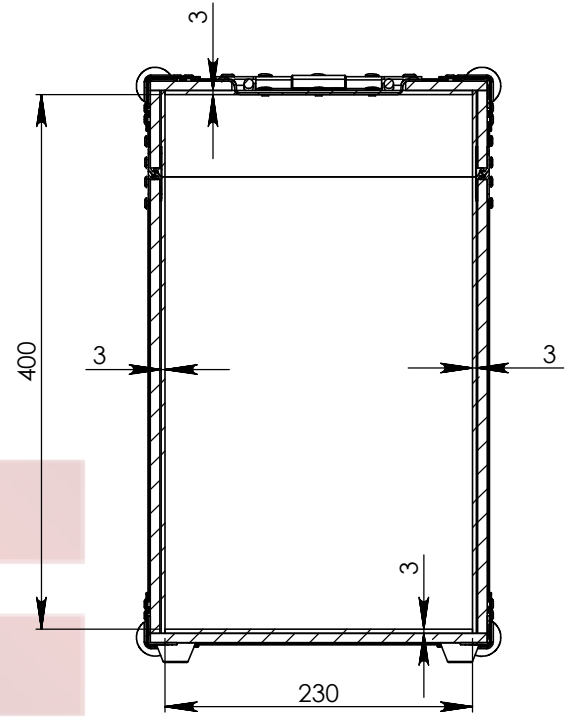
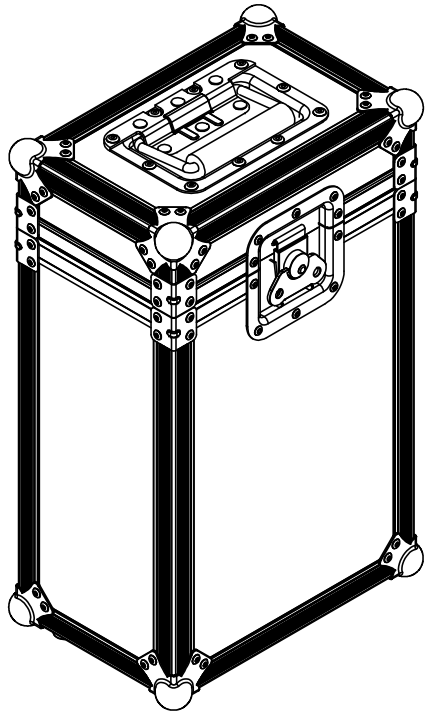
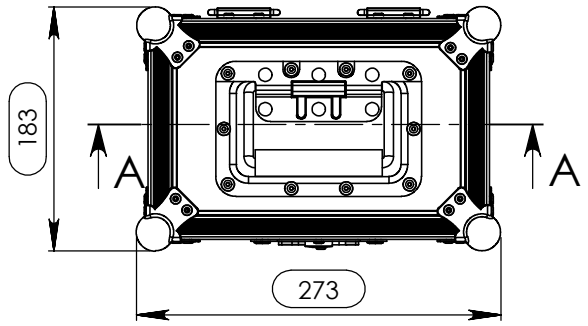
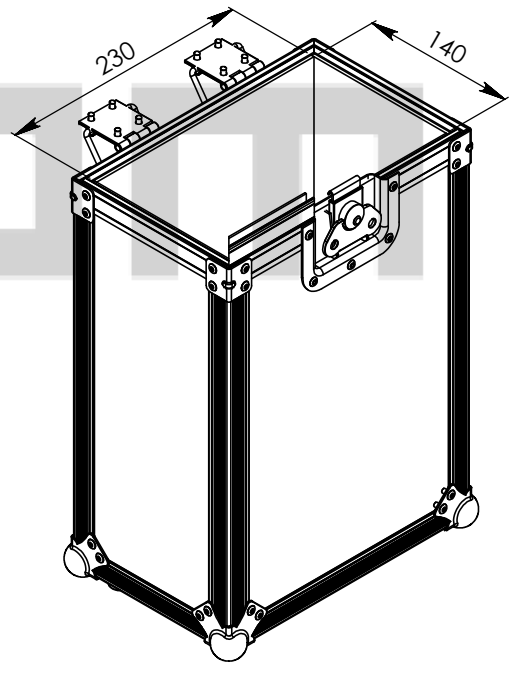
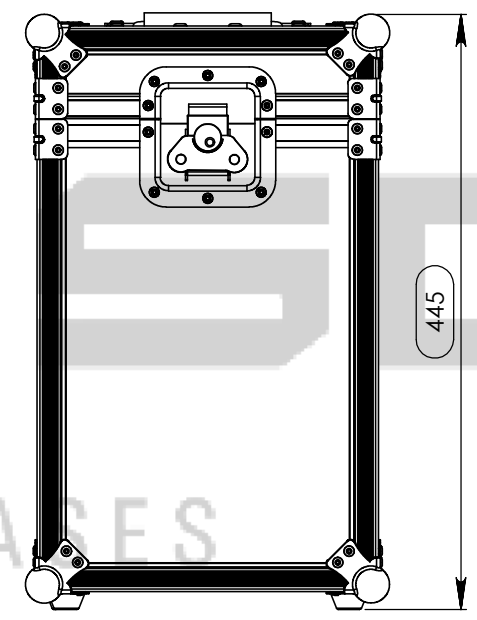
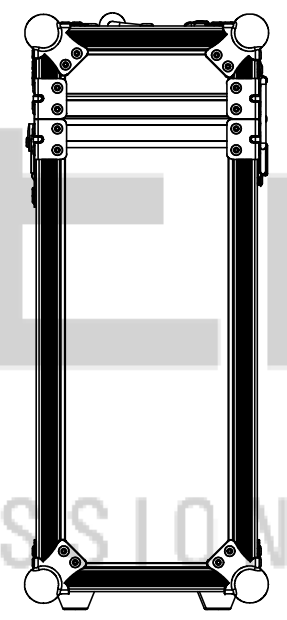
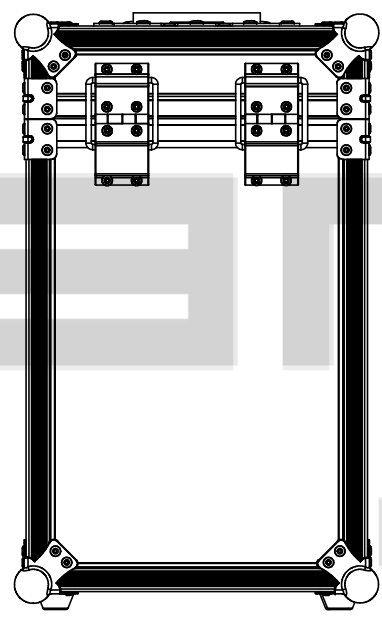


Interior dimensions		
Width	Depth	Height
230	140	400
Weight	Approx. 4 Kg	
Wall Thickness		7mm



SECTION A-A



Hardware	
Qty	Description
8	Medium corner-brace zinc plated 1,0mm
8	Small ball corner - 3 leg - zinc plated
1	Key lockable medium Butterfly special
1	Recessed sprung handle medium model
2	Heavy Duty Strut Hinge

Drawn by	projects	Name	Date
Reference	SCPS.0230		23/09/2016
Scale	1:4	general tolerance	0.8mm
1st Angle projection	FLIGHTCASE, 230X140X400MM		

This drawing must not be copied or disclosed without consent of the owner