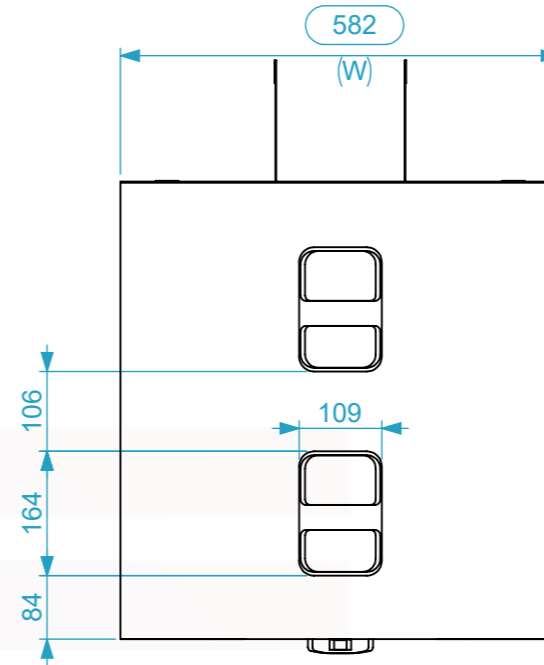
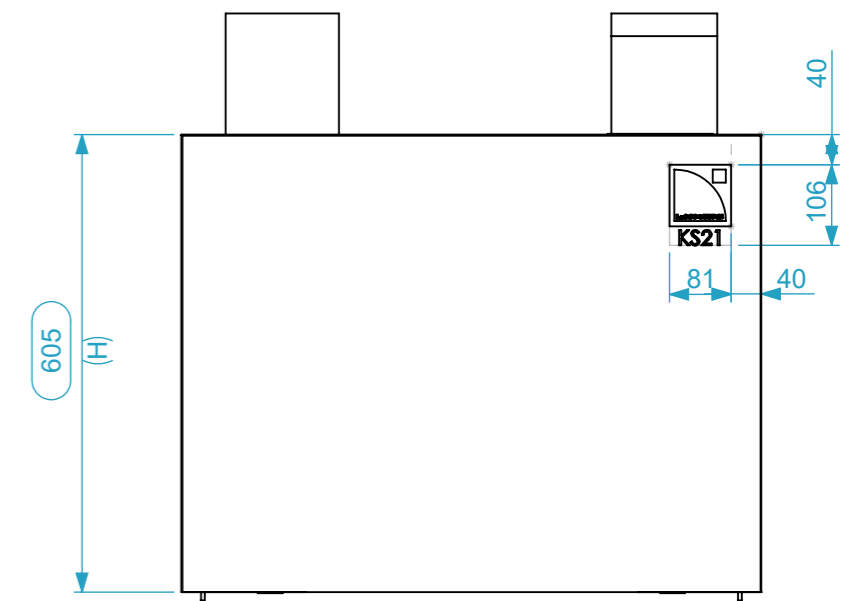


Elastic

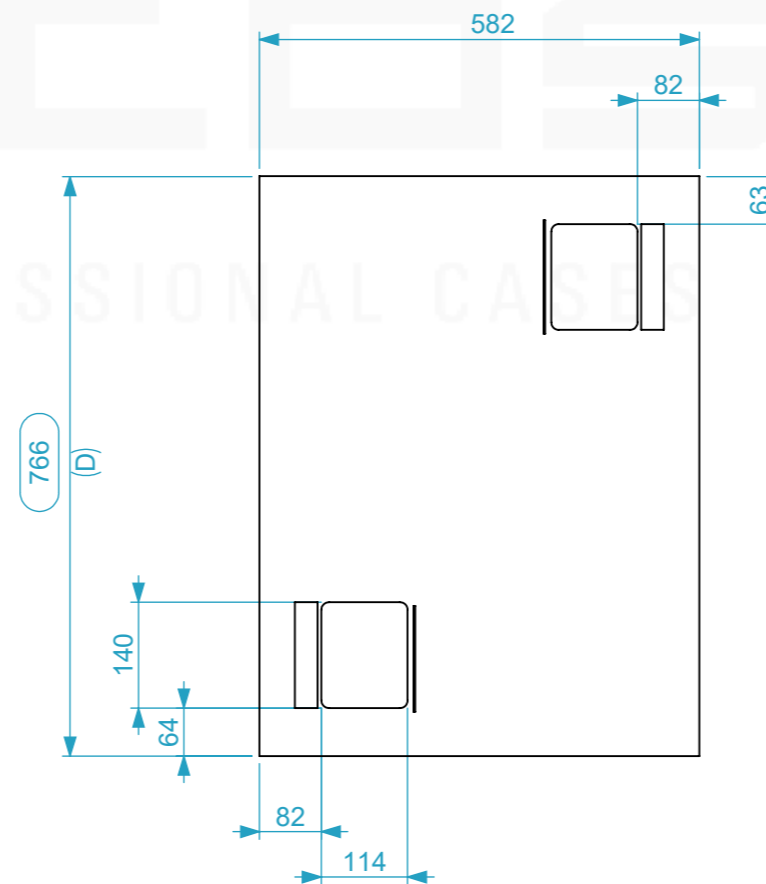
Frente



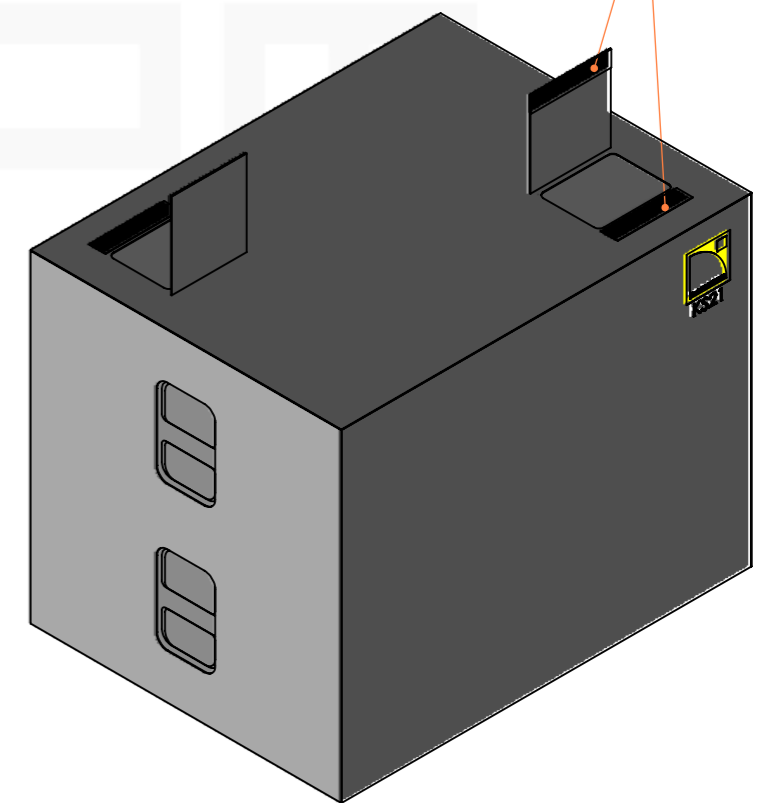
Lateral



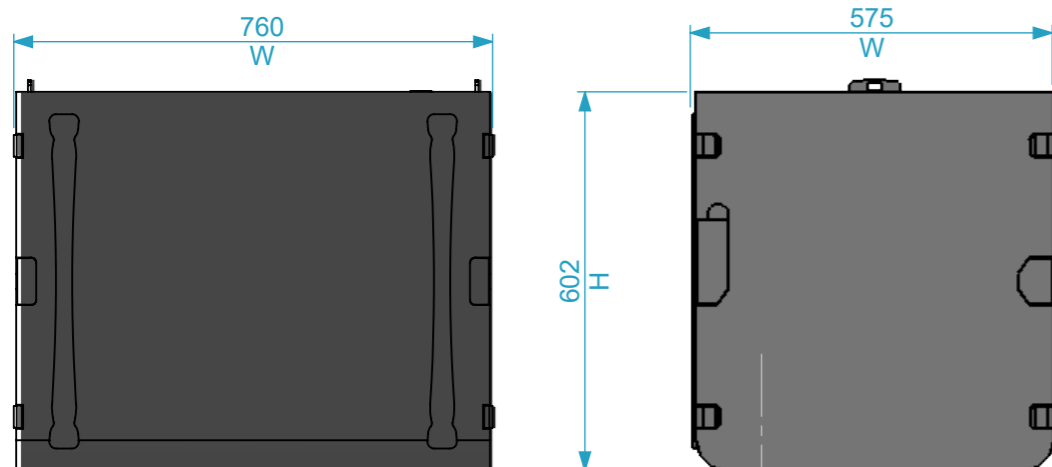
Cima



Velcro



L-acoustics KS21



This drawing must not be copied or disclosed without consent of the owner



Scale 1:10

units in mm DO NOT SCALE

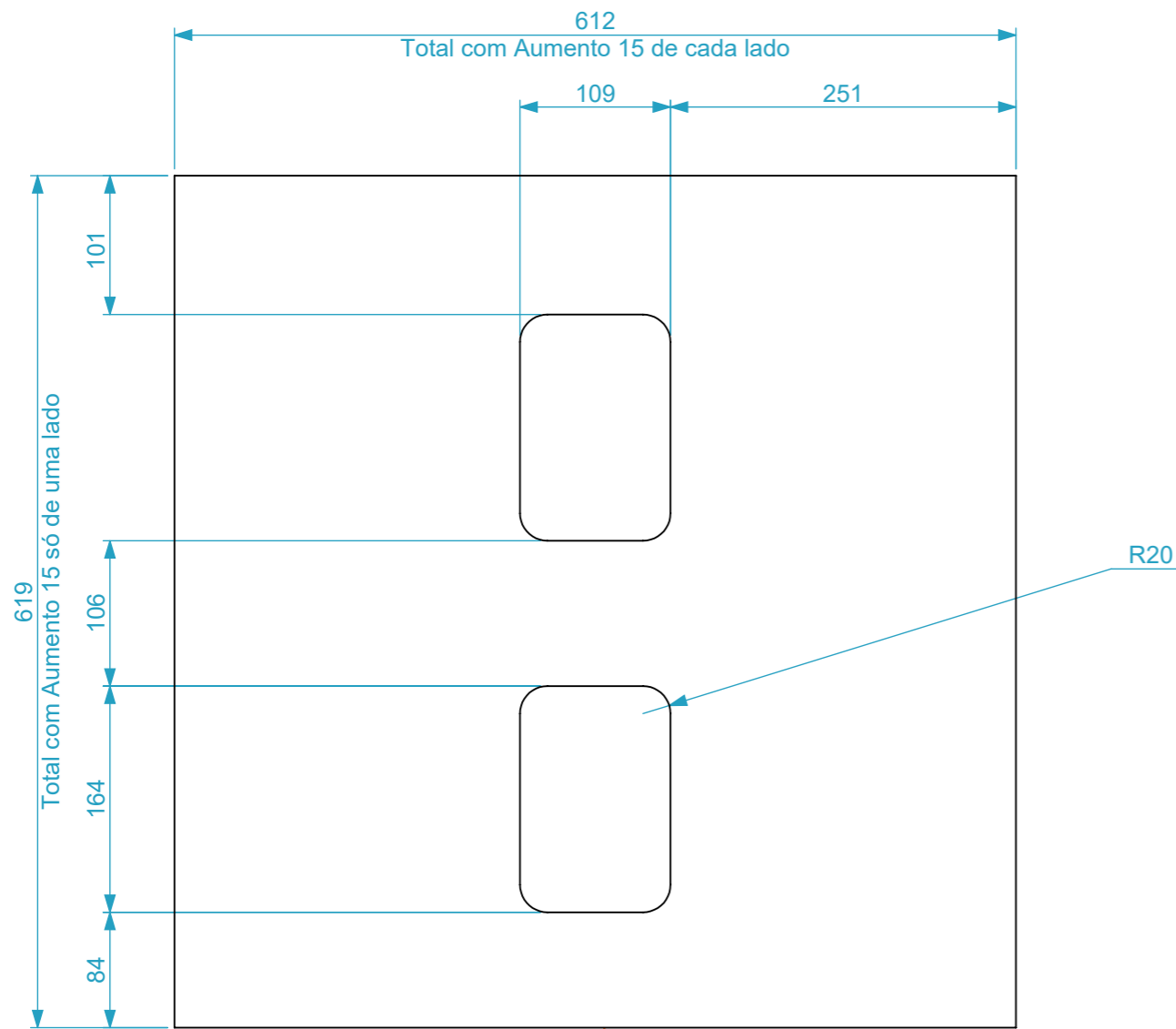
general tolerance 0.8mm

PRO COVER, L-acoustics KS21



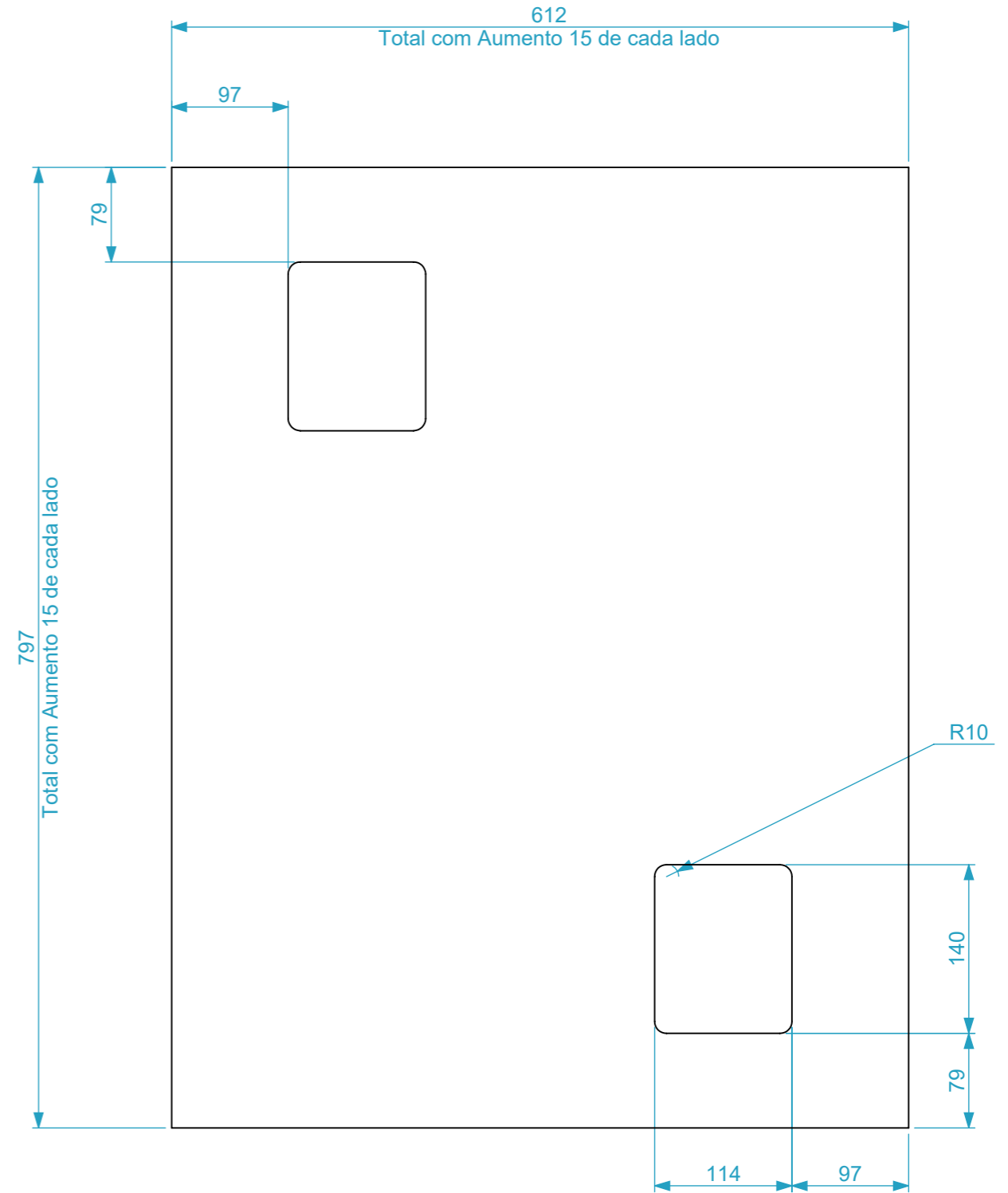
A3

Frente



Lado sem aumento de 15

Cima



This drawing must not be copied or disclosed without consent of the owner	Drawn by	Name	Date
	Reference	SC10.221	
	Scale	units in mm	general tolerance
1st Angle projection	1:5	DO NOT SCALE	0.8mm
PRO COVER, L-acoustics KS21			

