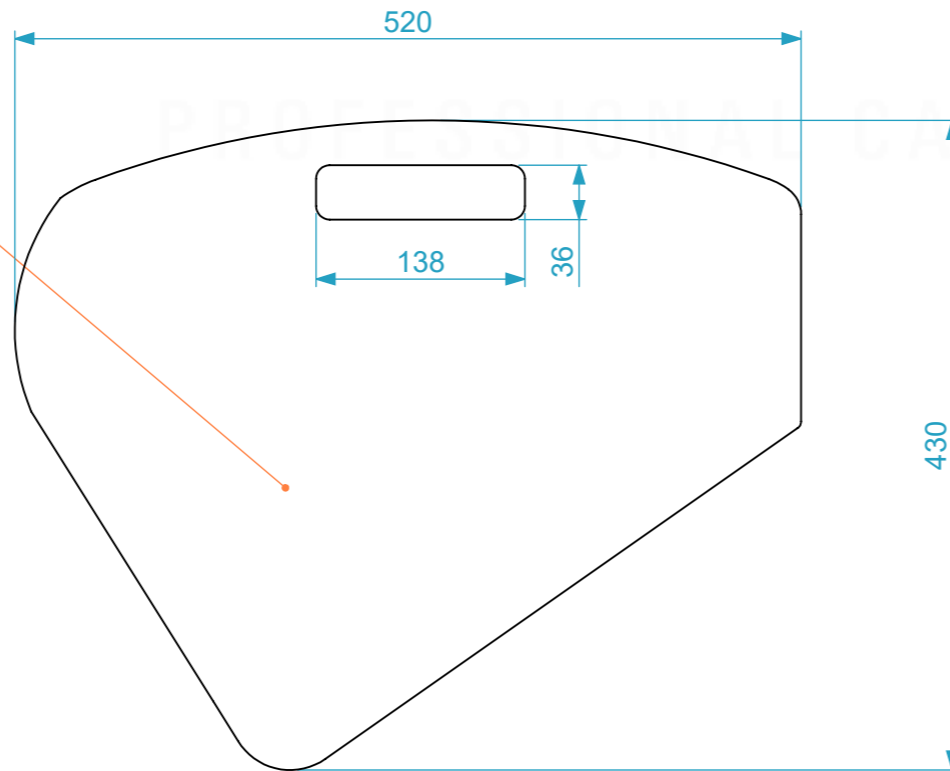


Logotipo Lambda

Direitas visto cima por fora



Name	Date
telmosantos	29/06/2021

Reference

Scale	units in mm	general tolerance
1:5	DO NOT SCALE	0.8mm

1st Angle projection



This drawing must not be copied or disclosed without consent of the owner

A3