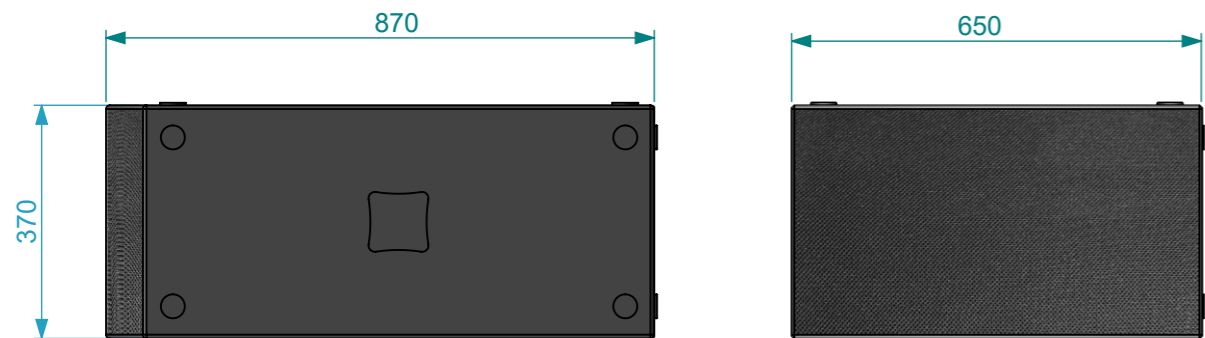


LAMBDA MF15A



	Name	Date
Drawn by	CarlaSilva	09/06/2020
Reference	SC10.214	
Scale	units in mm	general tolerance
	1:10	0.8mm
PRO COVER, 1x Lambda MF15A		



This drawing must not be copied or disclosed without consent of the owner



A3