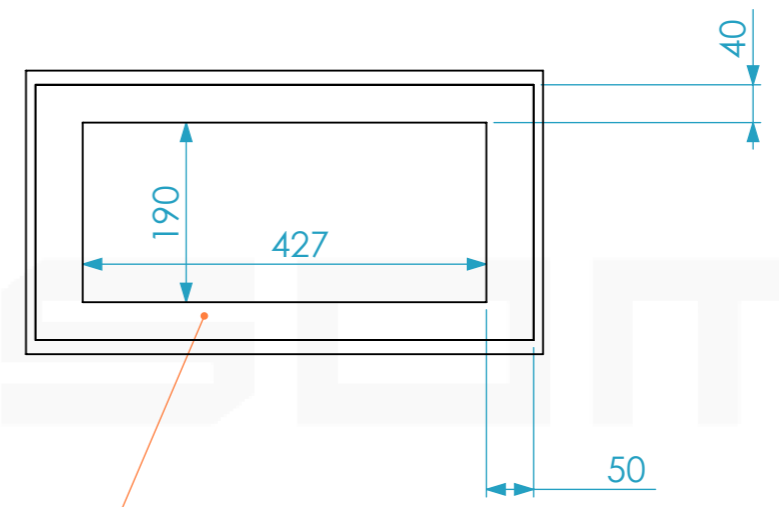
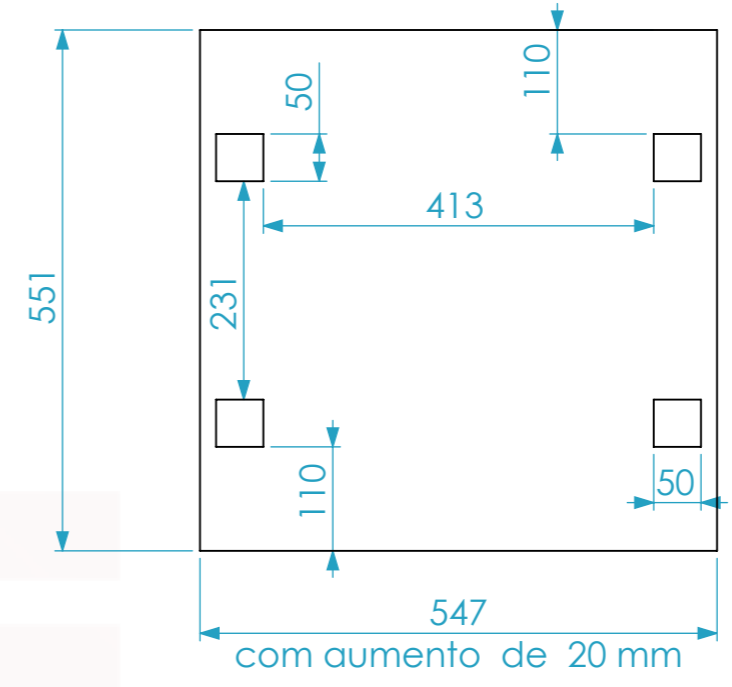
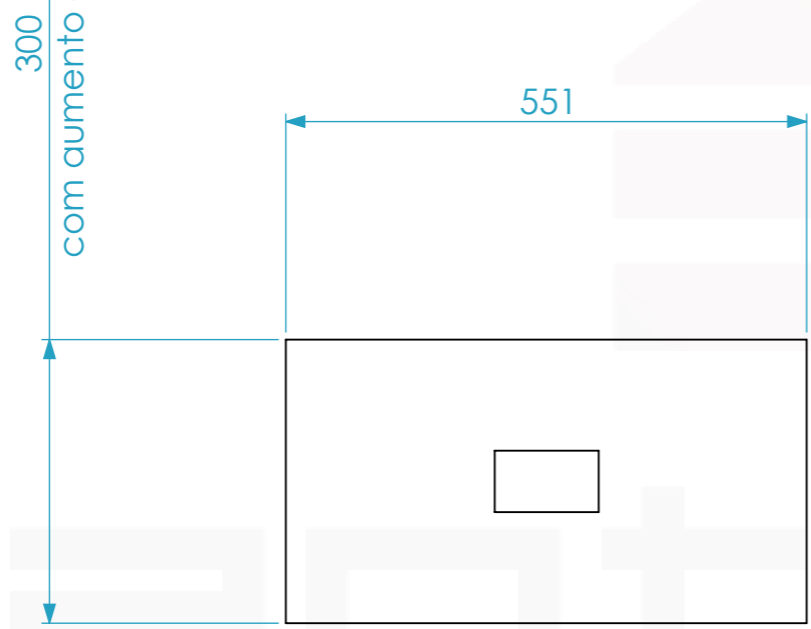
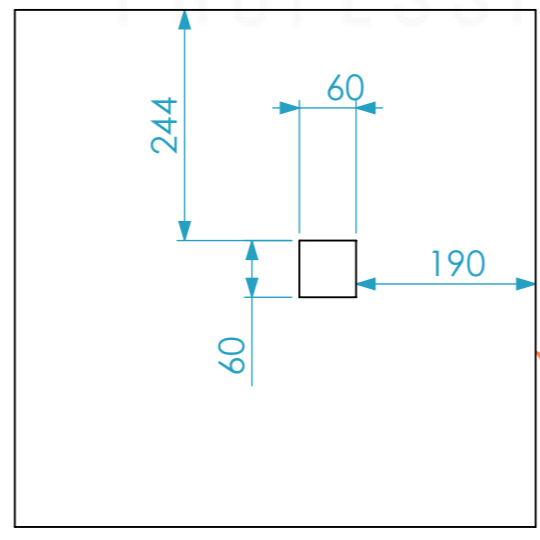


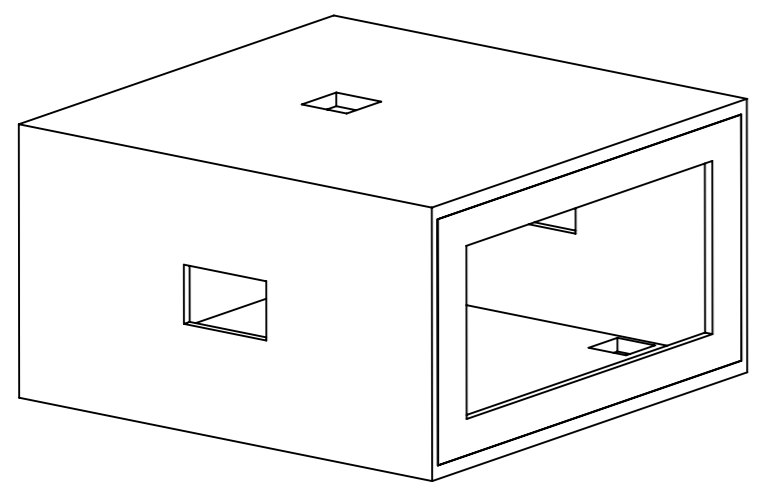
300
com aumento de 30 mm



aba da parte de trás



FRENTE



General External Dimensions	
W	Width
D	Depth
H	Height
Usable Inner Dimensions	
Wi	Inside Width
Di	Inside Depth
Hi	Inside Height
Wood Inner Dimensions	
WWi	Wood Inside Width
WDi	Wood Inside Depth
WHi	Wood Inside Height

Drawn by	Name	Date
CarlaSilva	CarlaSilva	08/02/2019
Reference	SC10.211	
Scale	units in mm	general tolerance
1:8	DO NOT SCALE	0.8mm
PRO COVER, NEXO IDS110P		



A3 This drawing must not be copied or disclosed without consent of the owner

