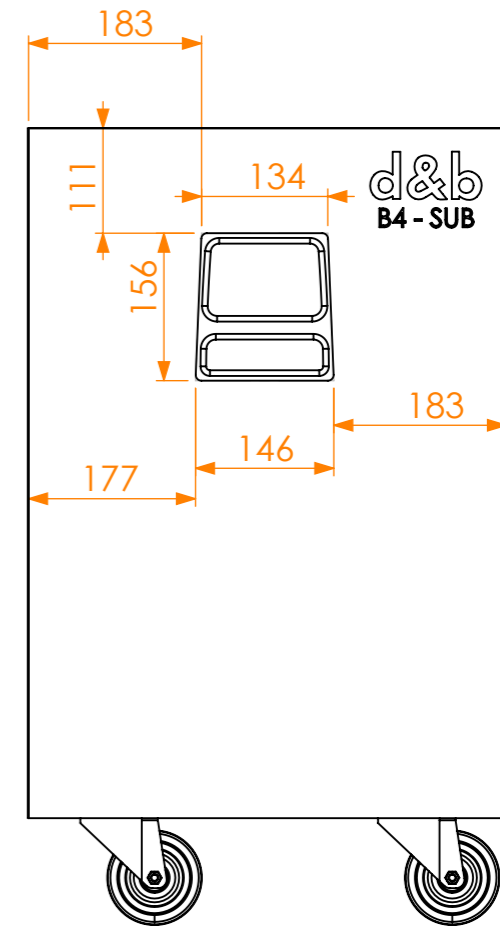
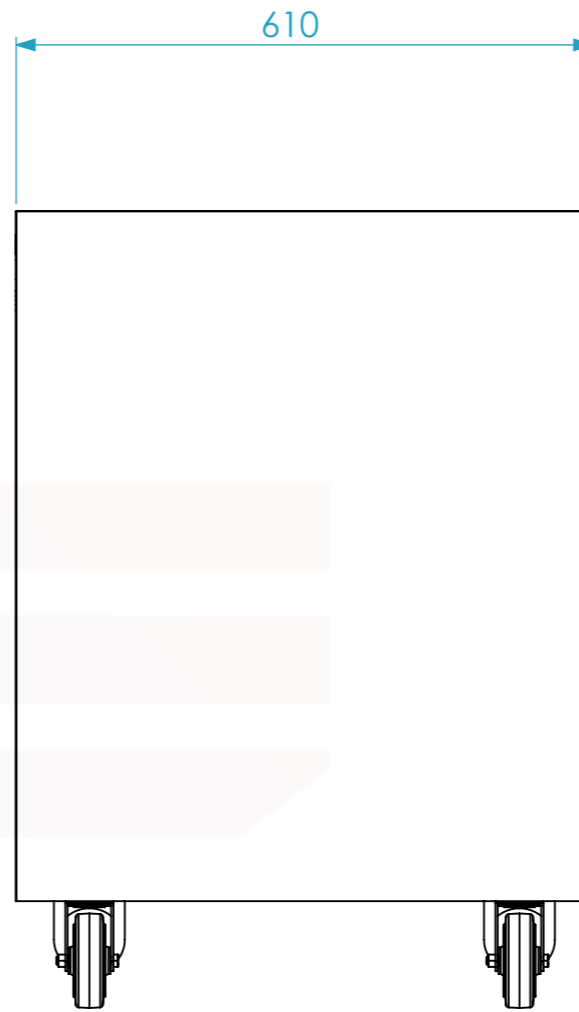
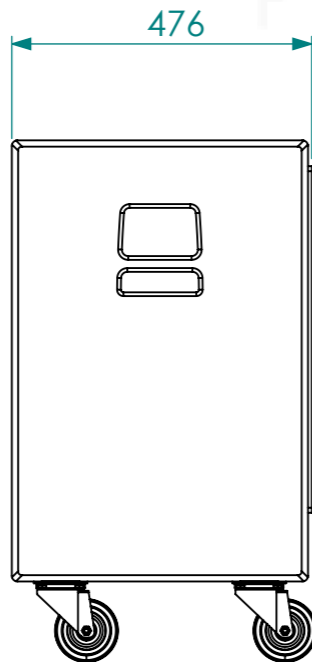
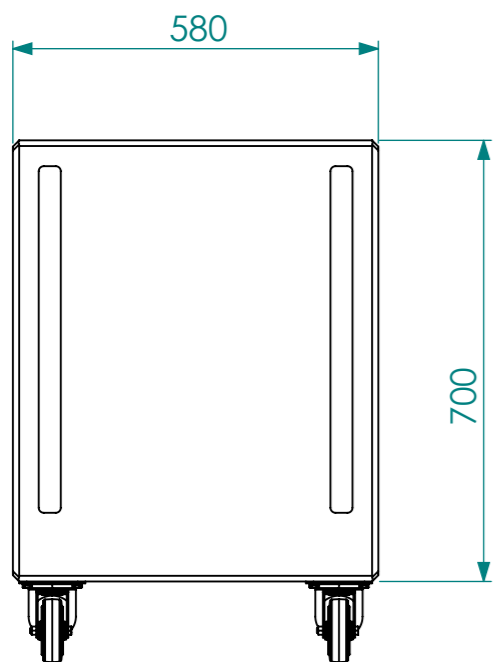


D&B LOGO



COLUMN DIMENSIONS - D&B B4



A3

This drawing must not be copied or disclosed without consent of the owner



Scale 1:8

units in mm
DO NOT SCALE
general tolerance 0.8mm

Drawn by	Name	Date
CarlaSilva	CarlaSilva	25/02/2019
Reference	SC10.209	

COVER NYLON, D&B B4

