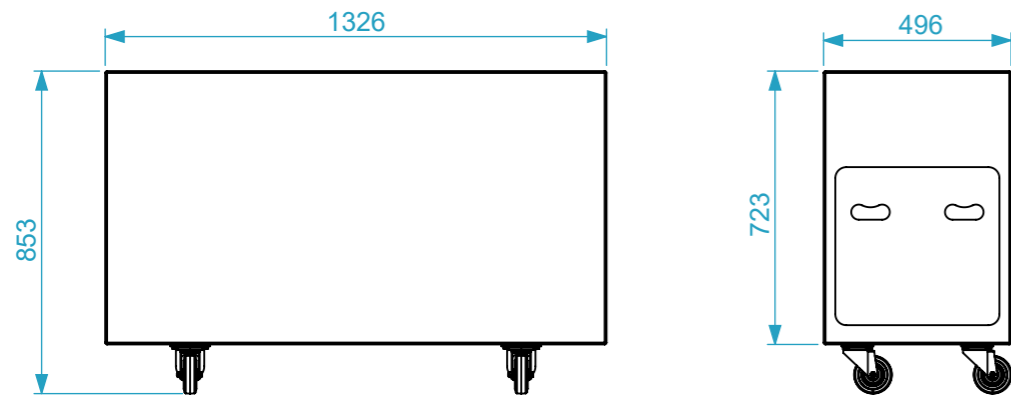




FUNKTION-ONE F218 MK2



PROFESSIONAL CASES

A3

This drawing must not be copied or disclosed without consent of the owner



Scale 1:20

units in mm DO NOT SCALE
 general tolerance 0.8mm

Drawn by	Name	Date
CarlaSilva	CarlaSilva	15/02/2019

Reference SC10.206

PRO COVER, FUNKTION-ONE F218 MK2

