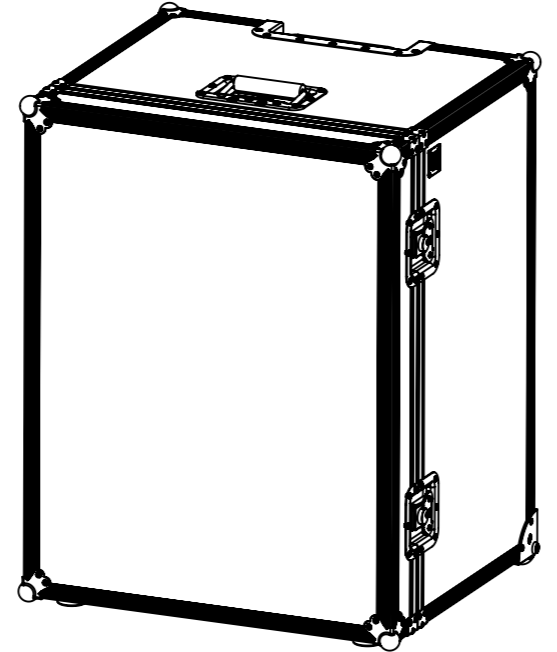
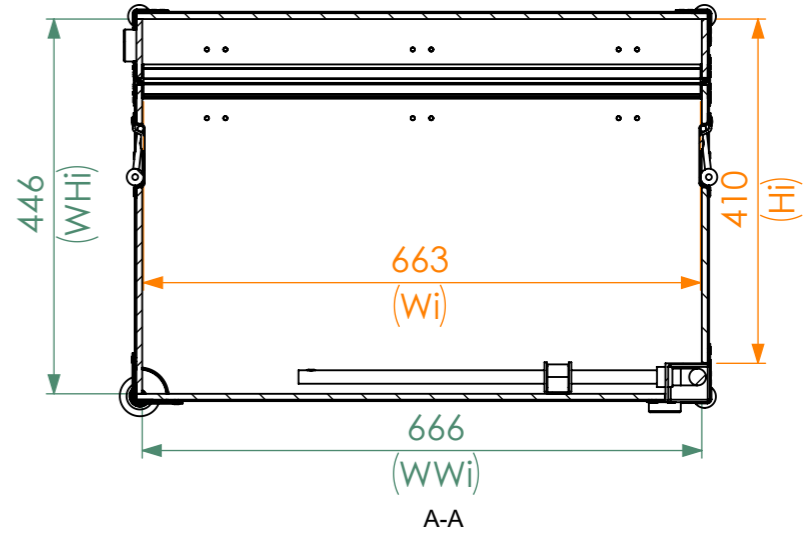
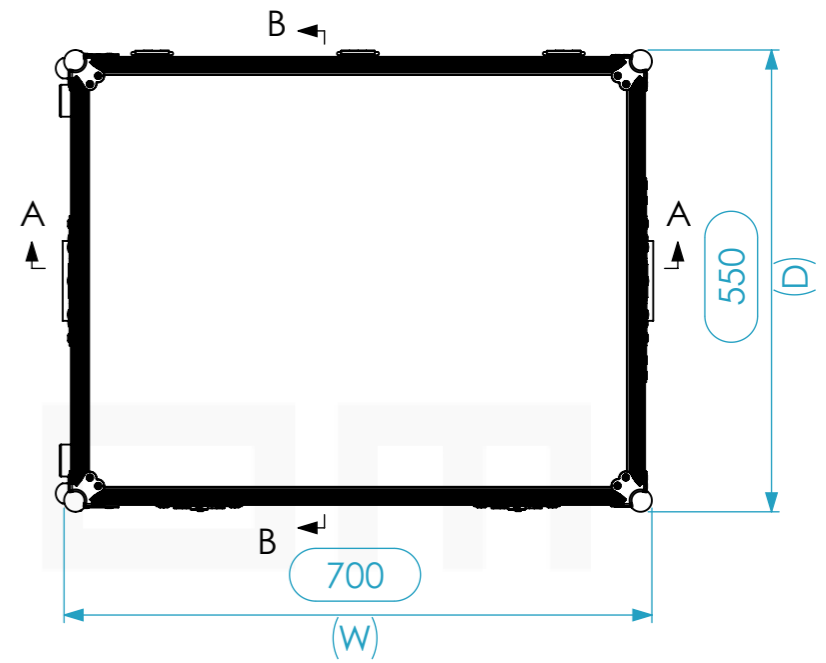
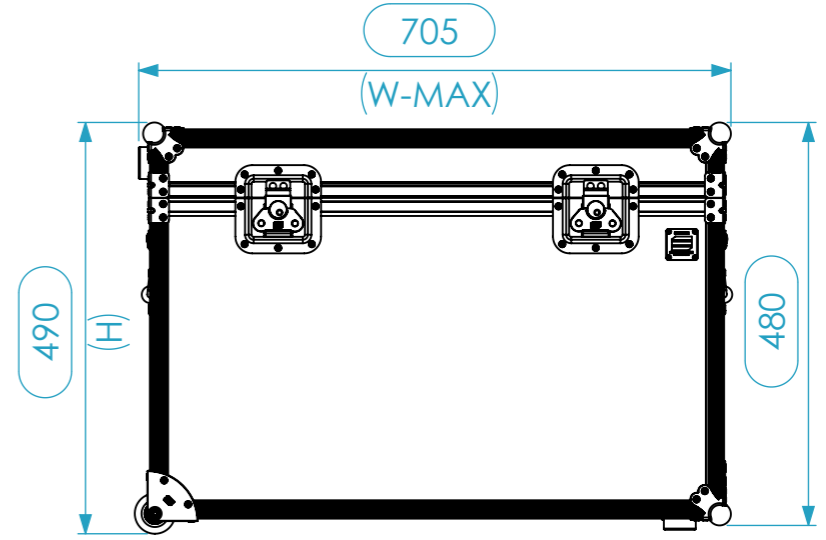
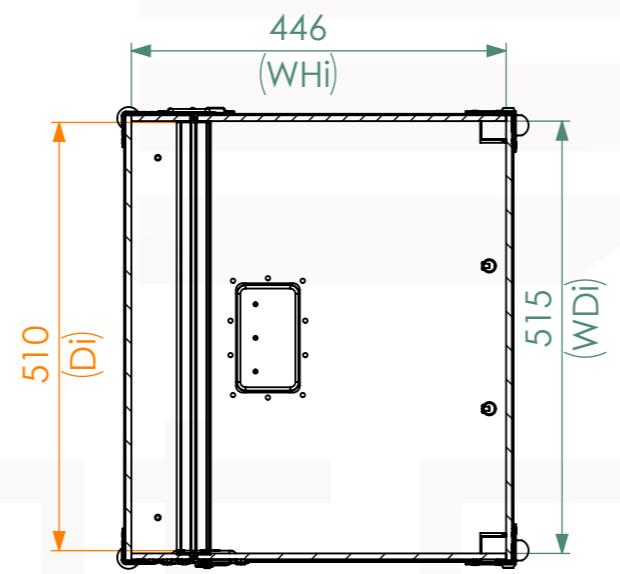
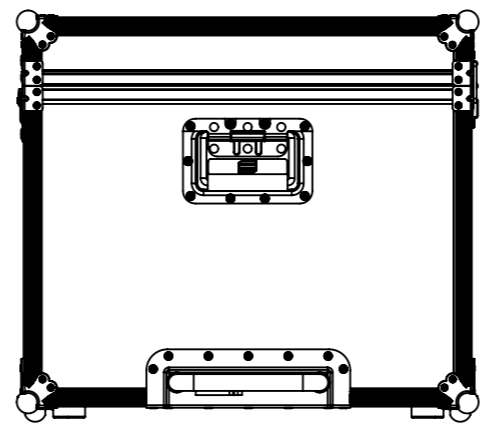
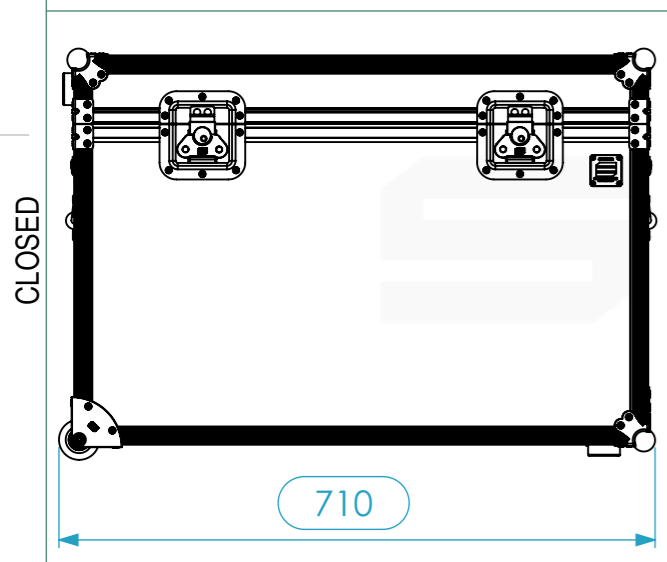
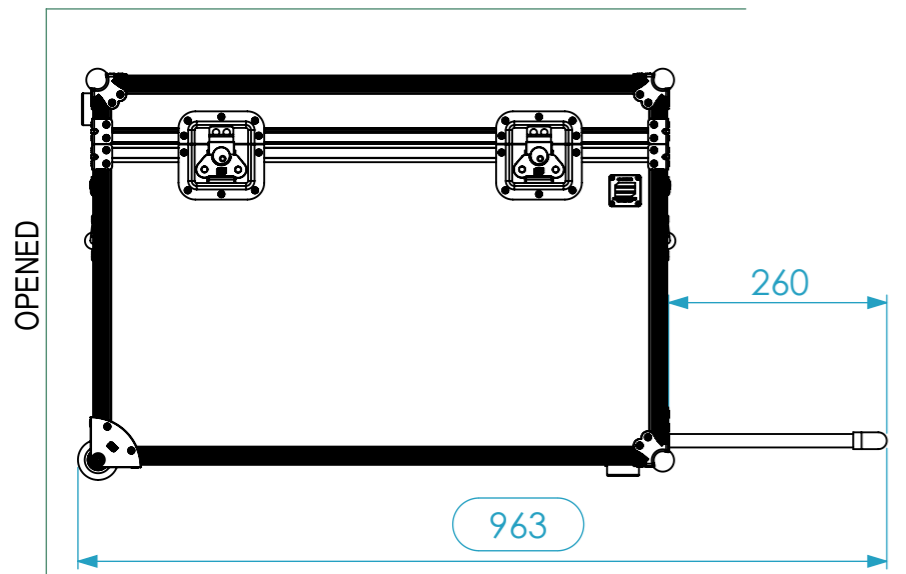


Internal Dimensions		
Width	Depth	Height
663	510	410
Weight	Approx. 14 Kg	
Wall Thickness	7mm	

PULL-OUT HANDLE:



General External Dimensions
Usable Inner Dimensions (UID)
Wood Inner Dimensions (WID)

This drawing must not be copied or disclosed without consent of the owner

Name	Date
Drawn by CatarinaHenriques	27/08/2018
Reference	S2AAR.0705548
Scale	1:9
units in mm	general tolerance 0.8mm
DO NOT SCALE	FC S2AAR. 663X513X443



A3