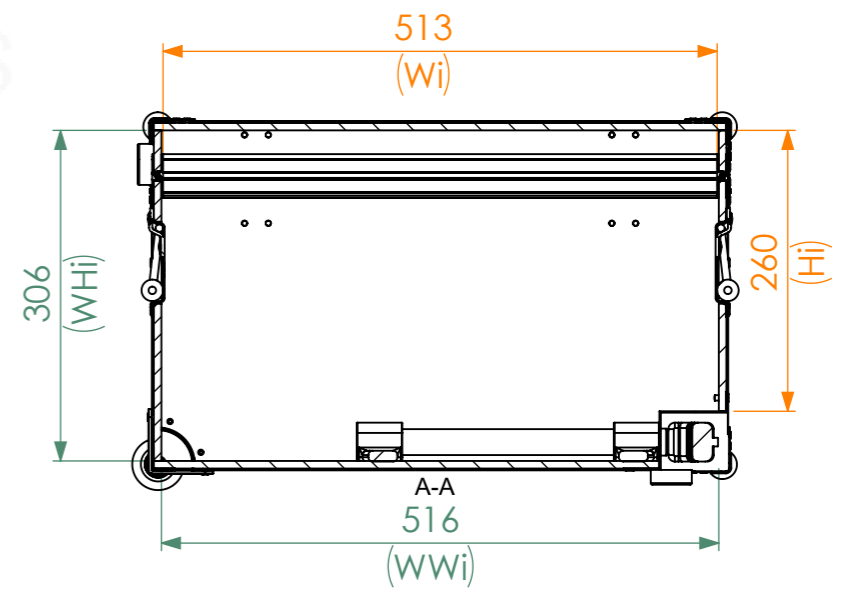
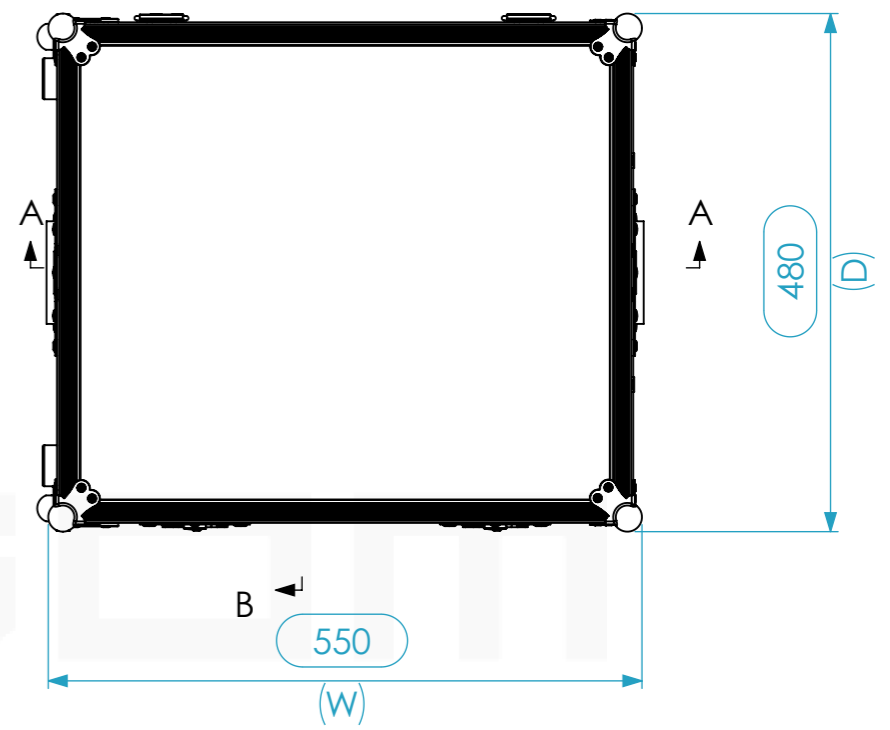
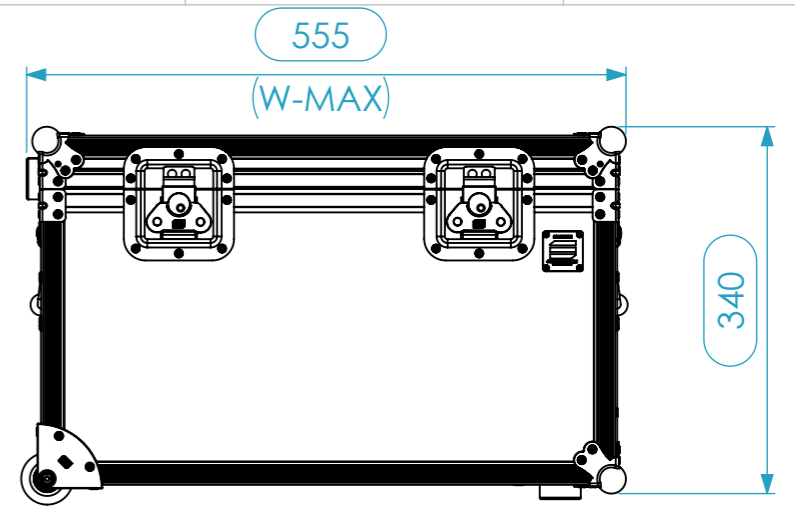
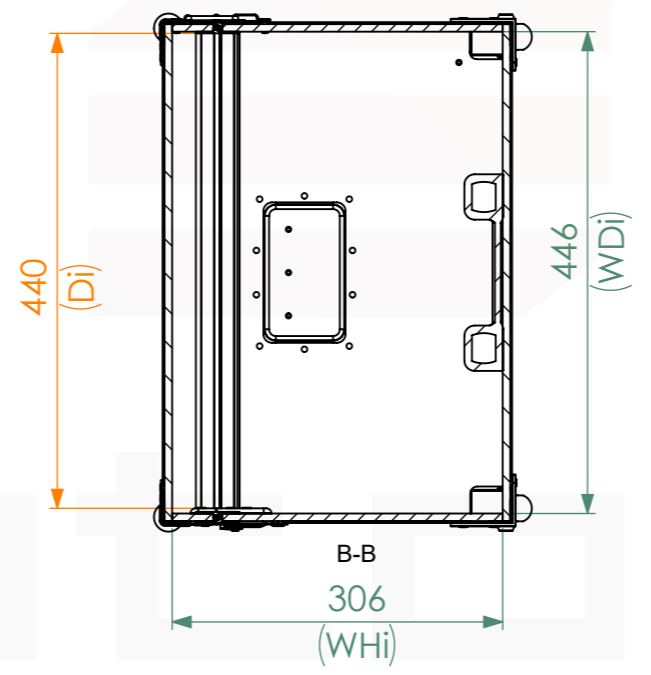
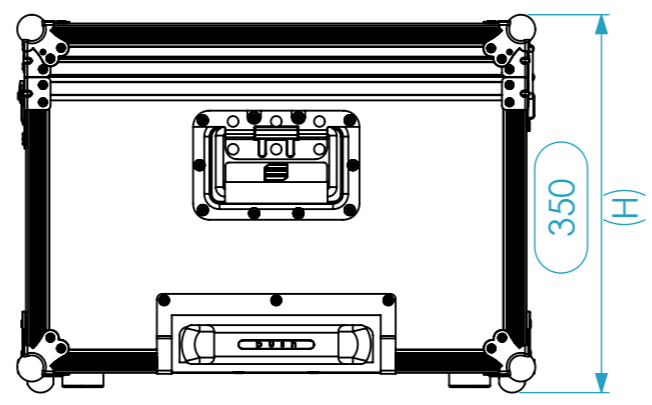
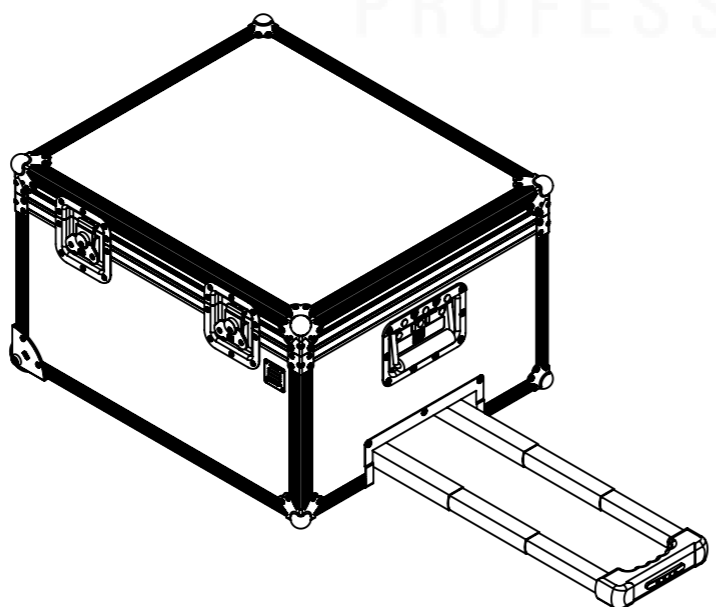
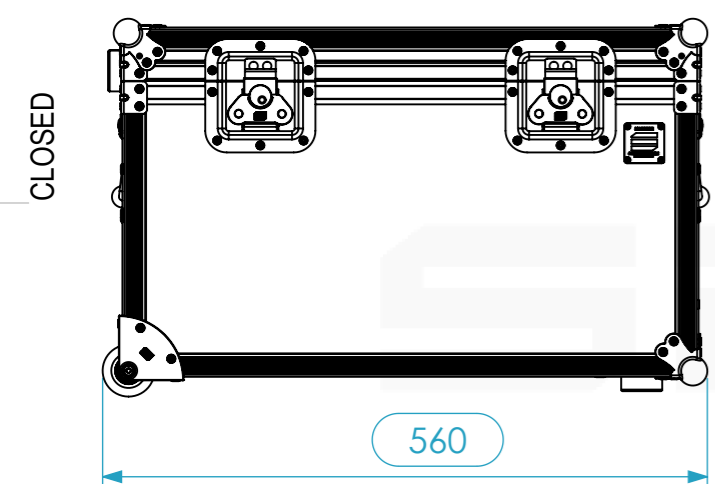
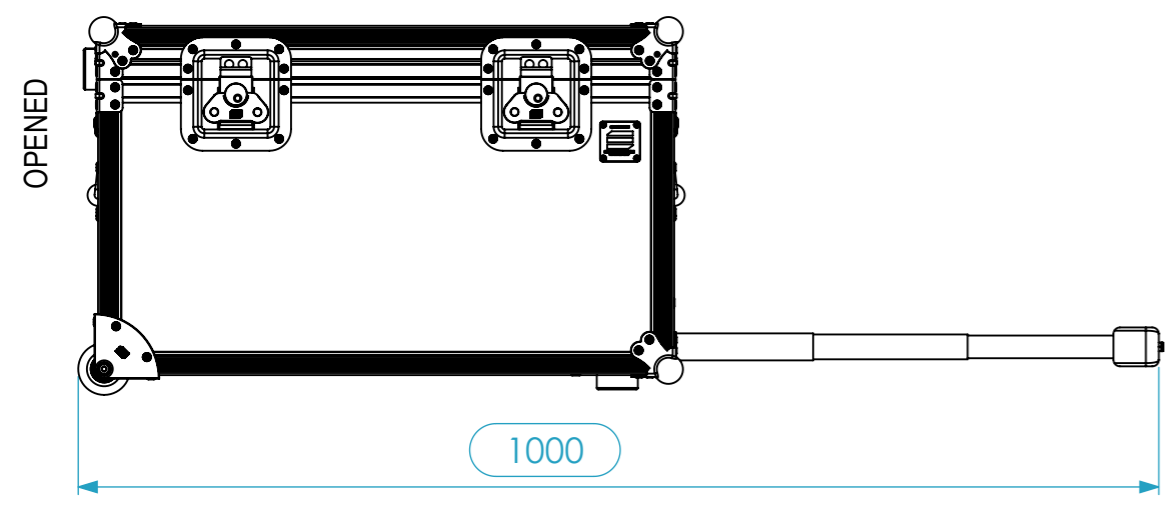


Internal Dimensions		
Width	Depth	Height
513	440	260
Weight	Approx. 5 Kg	
Wall Thickness	7mm	

PULL-OUT HANDLE:



General External Dimensions
Usable Inner Dimensions (UID)
Wood Inner Dimensions (WID)

This drawing must not be copied or disclosed without consent of the owner

Drawn by	Name	Date
CatarinaHenriques		06/02/2019
Reference	S2AAR.0554834	
Scale	units in mm	general tolerance
1:7	DO NOT SCALE	0.8mm
1st Angle projection	MALA S2R 48.26.34 (51X44X30 WID)	

