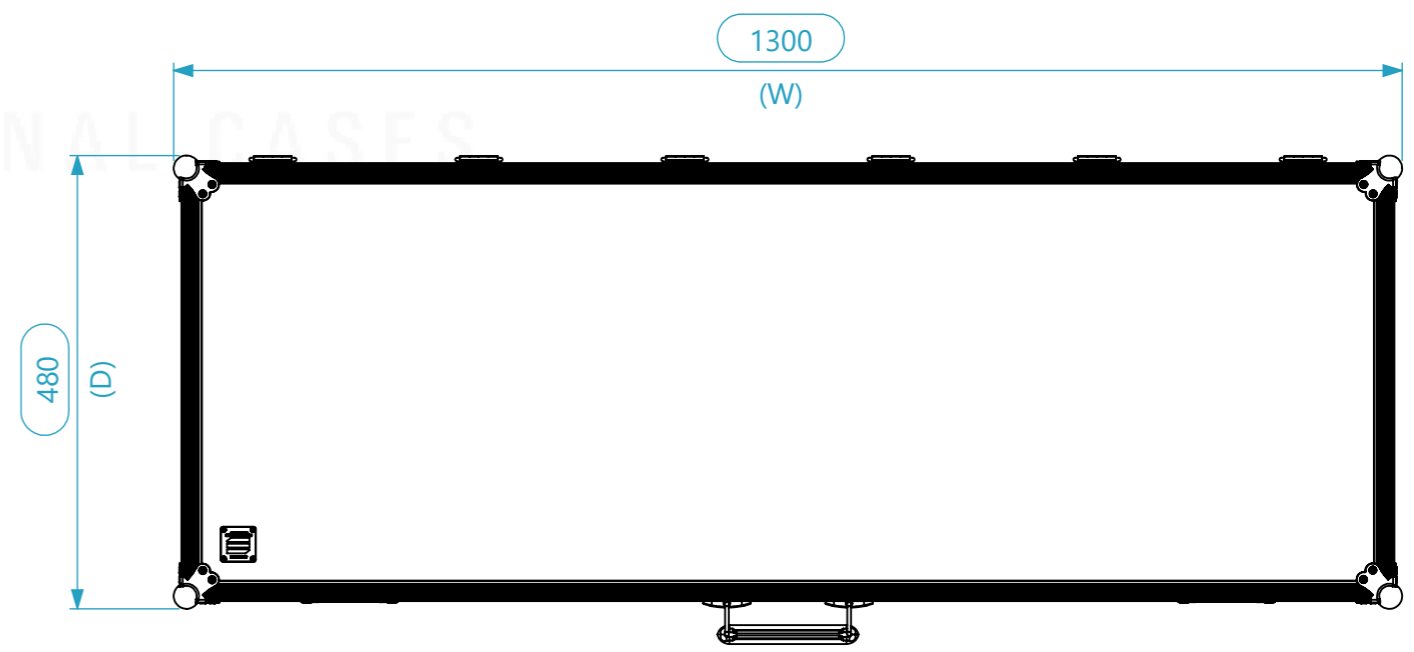
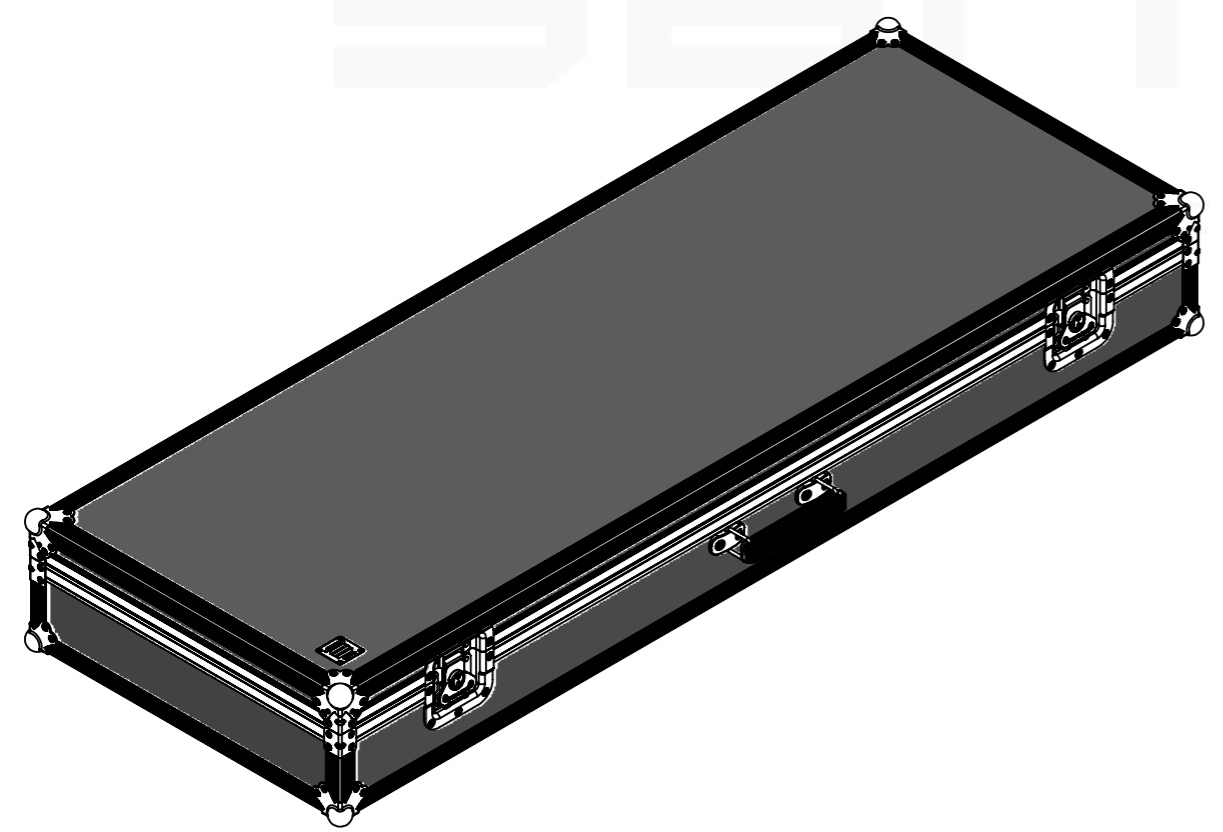
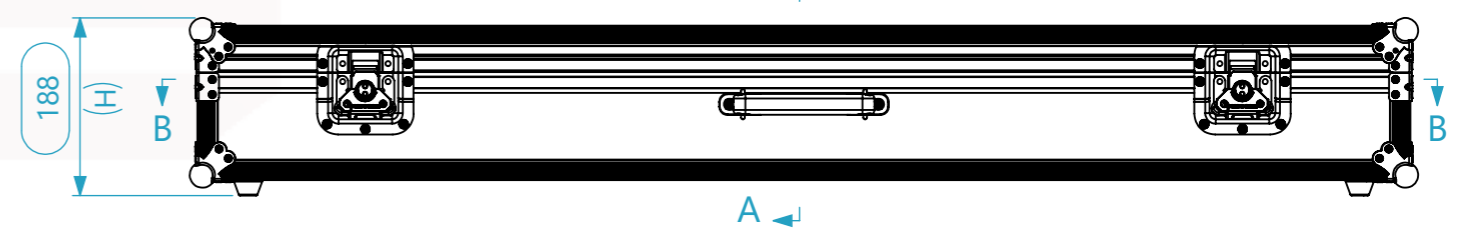
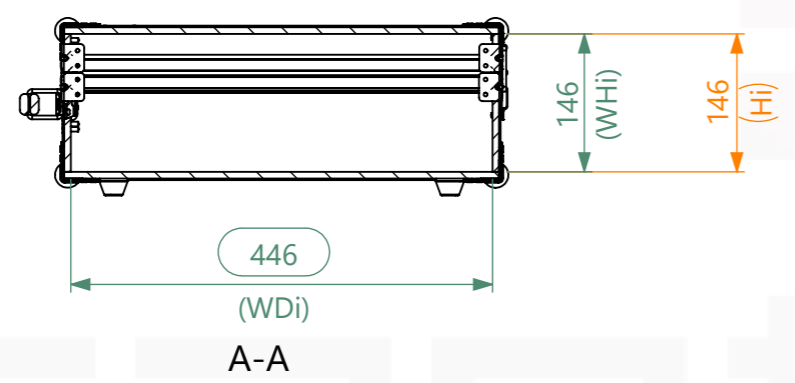
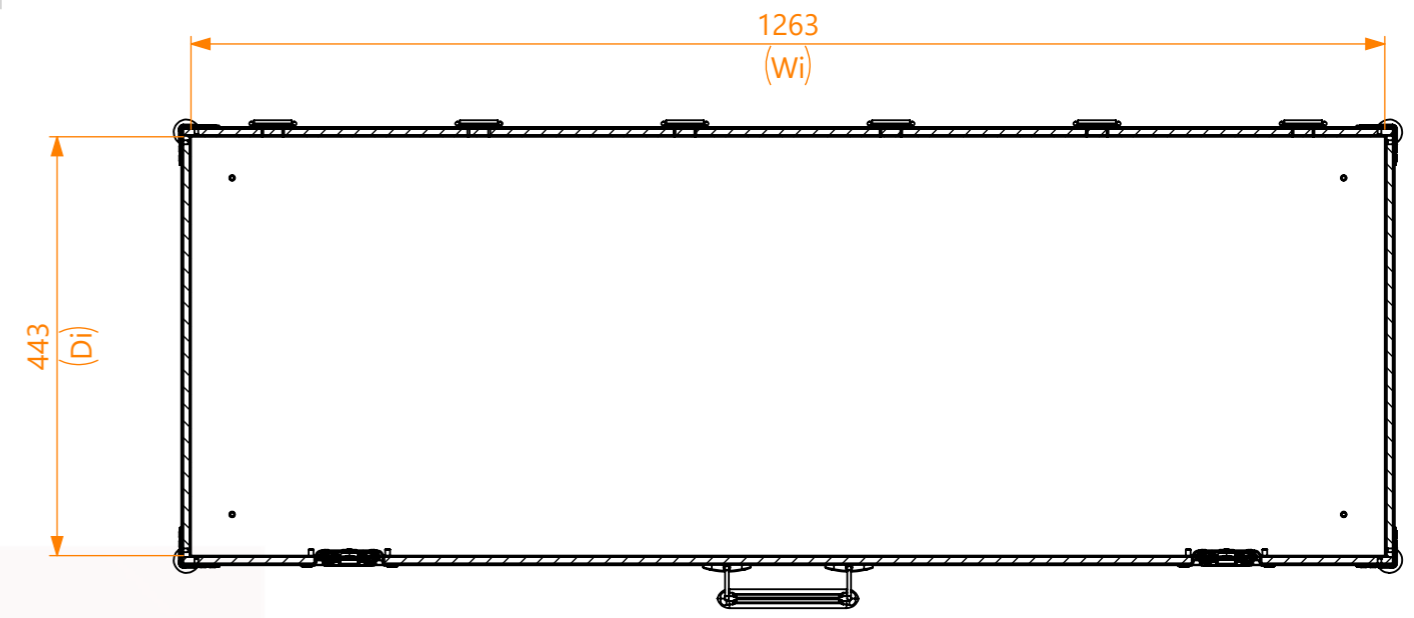


Internal Dimensions		
Width	Depth	Height
1263	443	146
Weight	Approx. 9 Kg	
Wall Thickness		7mm



General External Dimensions		Usable Inner Dimensions		Wood Inner Dimensions	
W	Width	Wi	Inside Width	WWi	Wood Inside Width
D	Depth	Di	Inside Depth	WDi	Wood Inside Depth
H	Height	Hi	Inside Height	WHi	Wood Inside Height

This drawing must not be copied or disclosed without consent of the owner

Drawn by	Name	Date
CarlaSilva	CarlaSilva	06/01/2025
Reference	S2AA.1304818	
Scale	units in mm	general tolerance
1:8	DO NOT SCALE	0.8mm
FC S2AA, 1263x443x146		



A3

