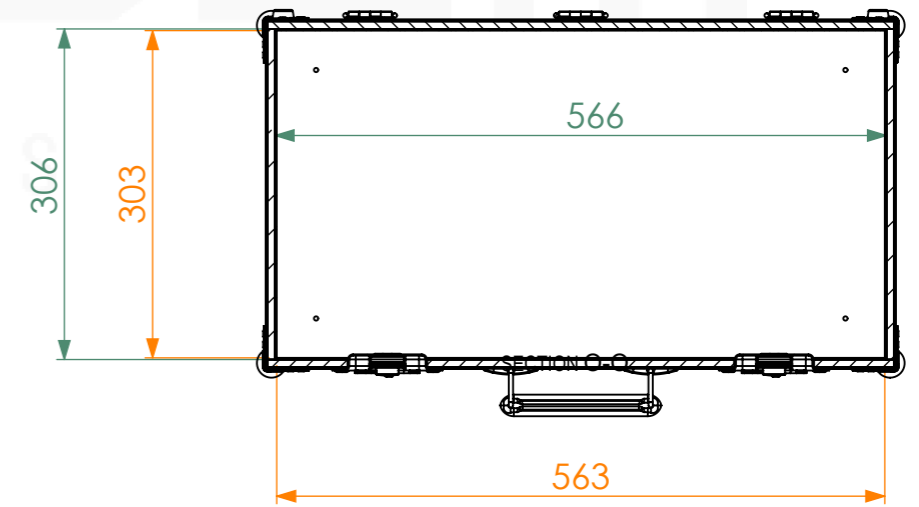
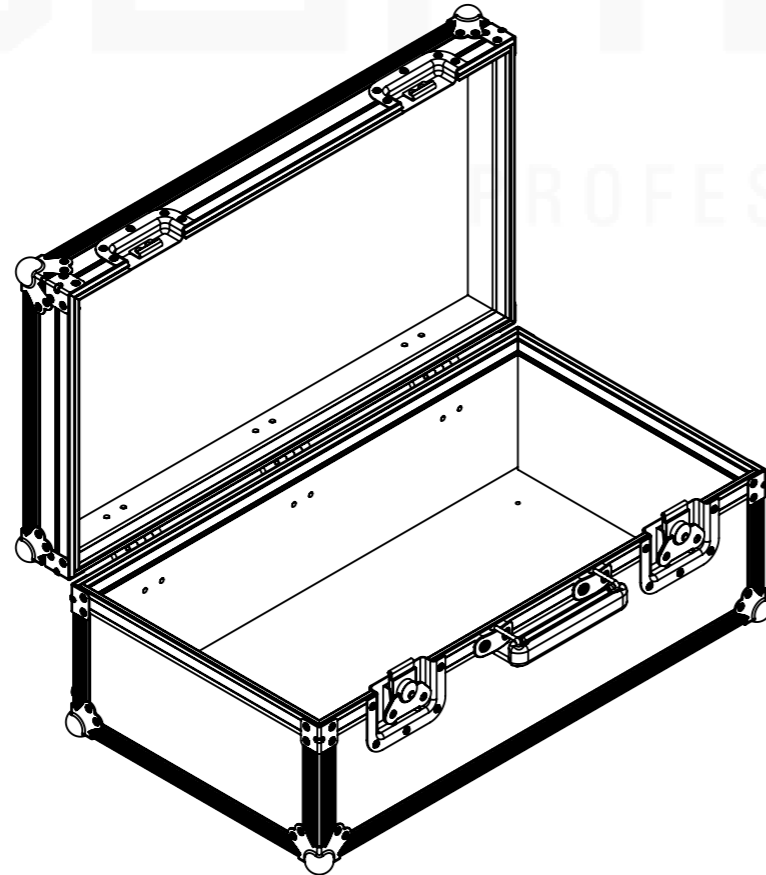
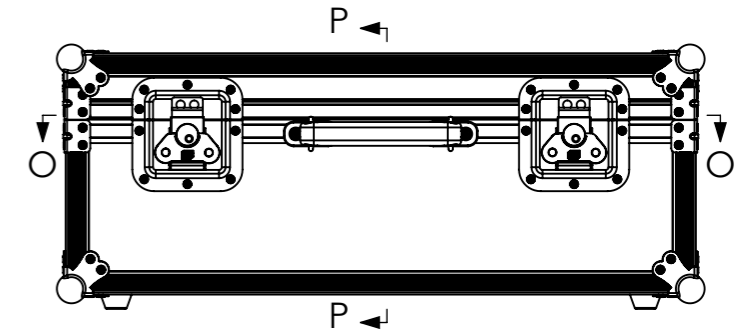
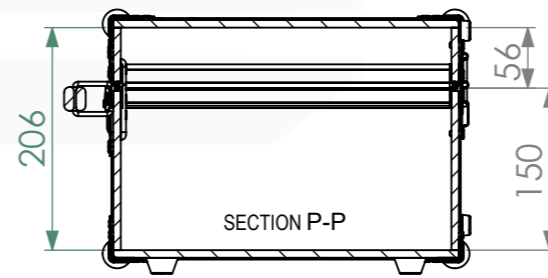
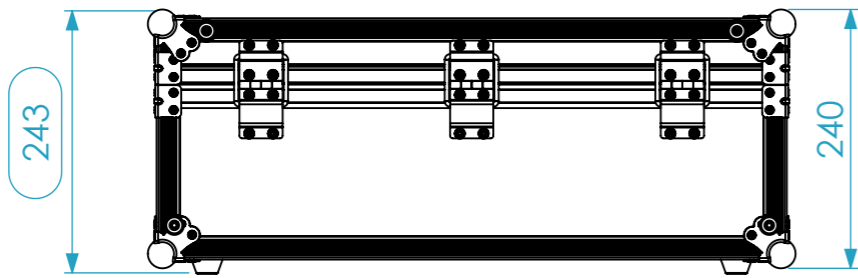
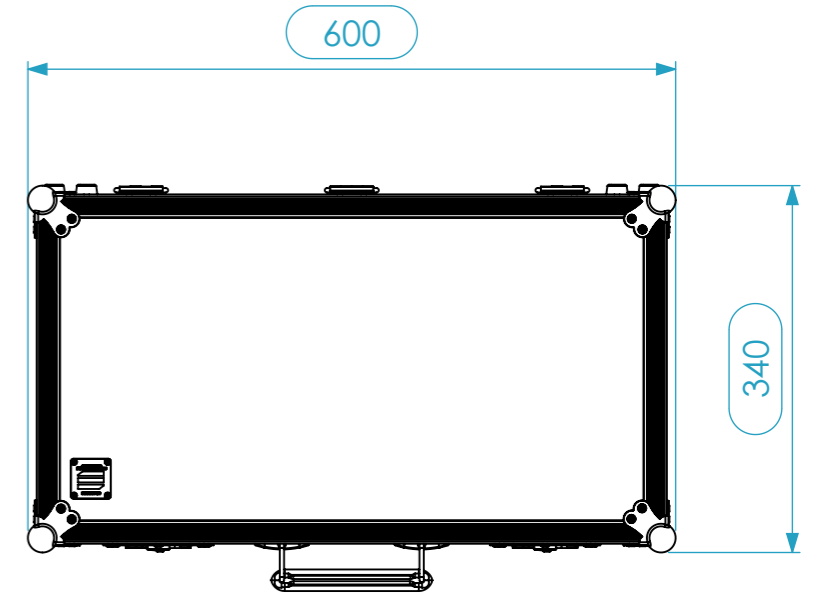
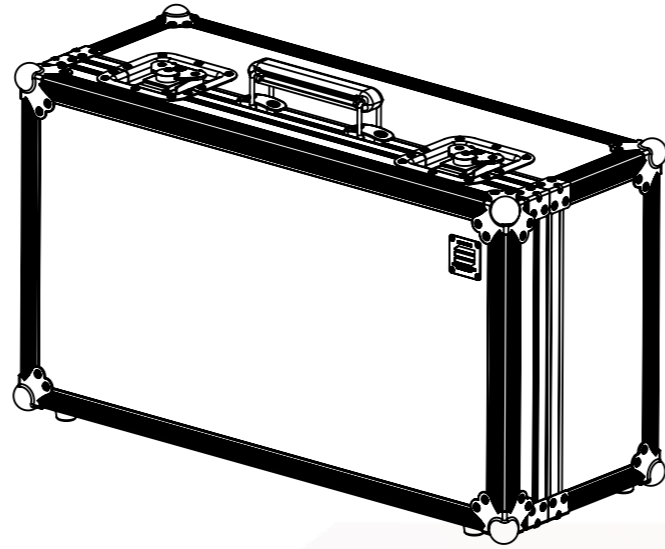


Internal Dimensions

Width	Depth	Height
563	303	206
Weight	Approx. 6 Kg	
Wall Thickness		7mm



General External Dimensions	
W	Width
D	Depth
H	Height
Usable Inner Dimensions	
Wi	Inside Width
Di	Inside Depth
Hi	Inside Height
Wood Inner Dimensions	
WWi	Wood Inside Width
WDi	Wood Inside Depth
WHi	Wood Inside Height

Drawn by	Name	Date
CarlaSilva	CarlaSilva	19/01/2021
Reference	S2AA.0603424	
Scale	units in mm	general tolerance
1:7	DO NOT SCALE	0.8mm
BRIEFCASE S2.60.34.24 (56x30x20 WID)		



This drawing must not be copied or disclosed without consent of the owner



A3